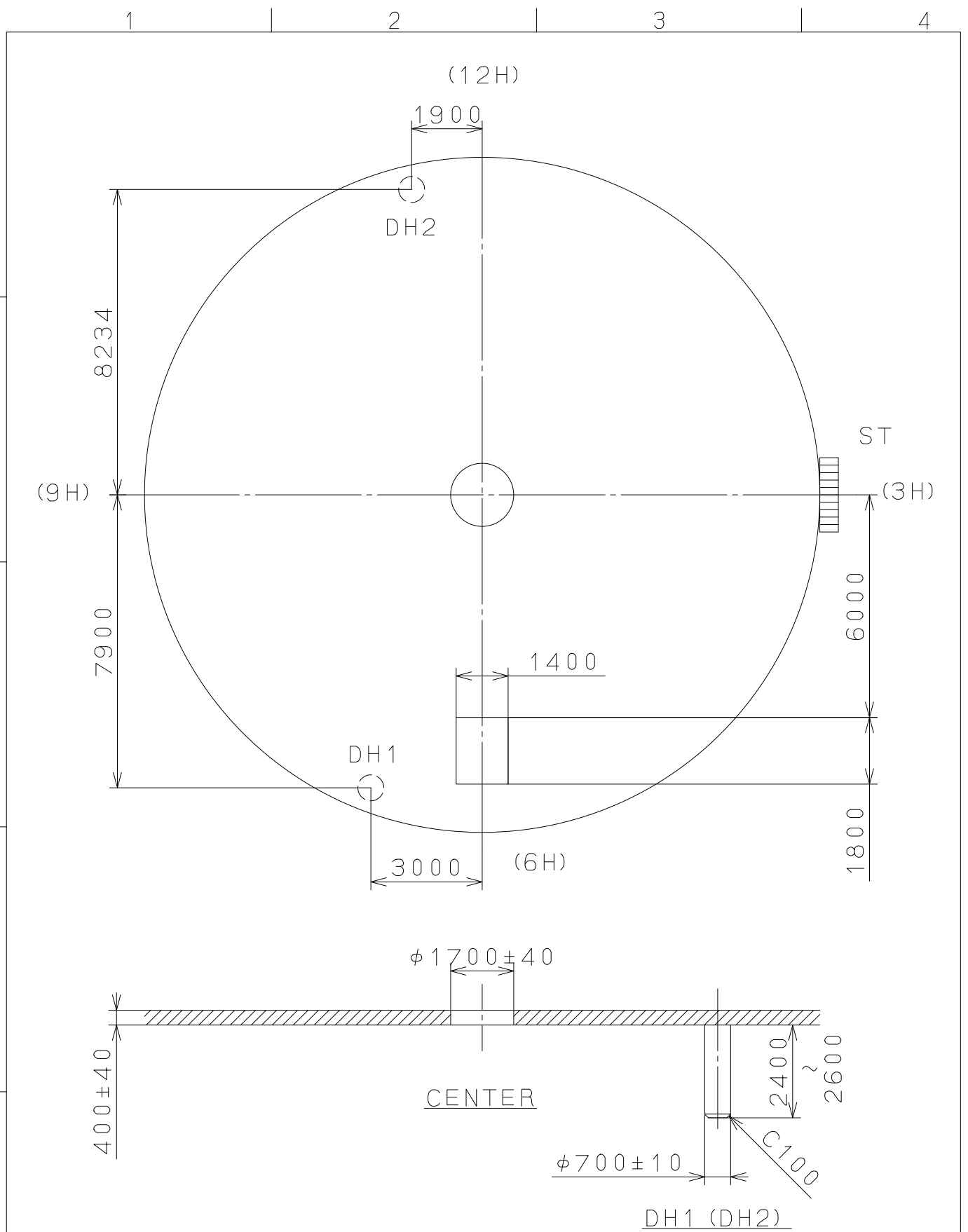


confidential papers 2012/05/25 (13:27:52)

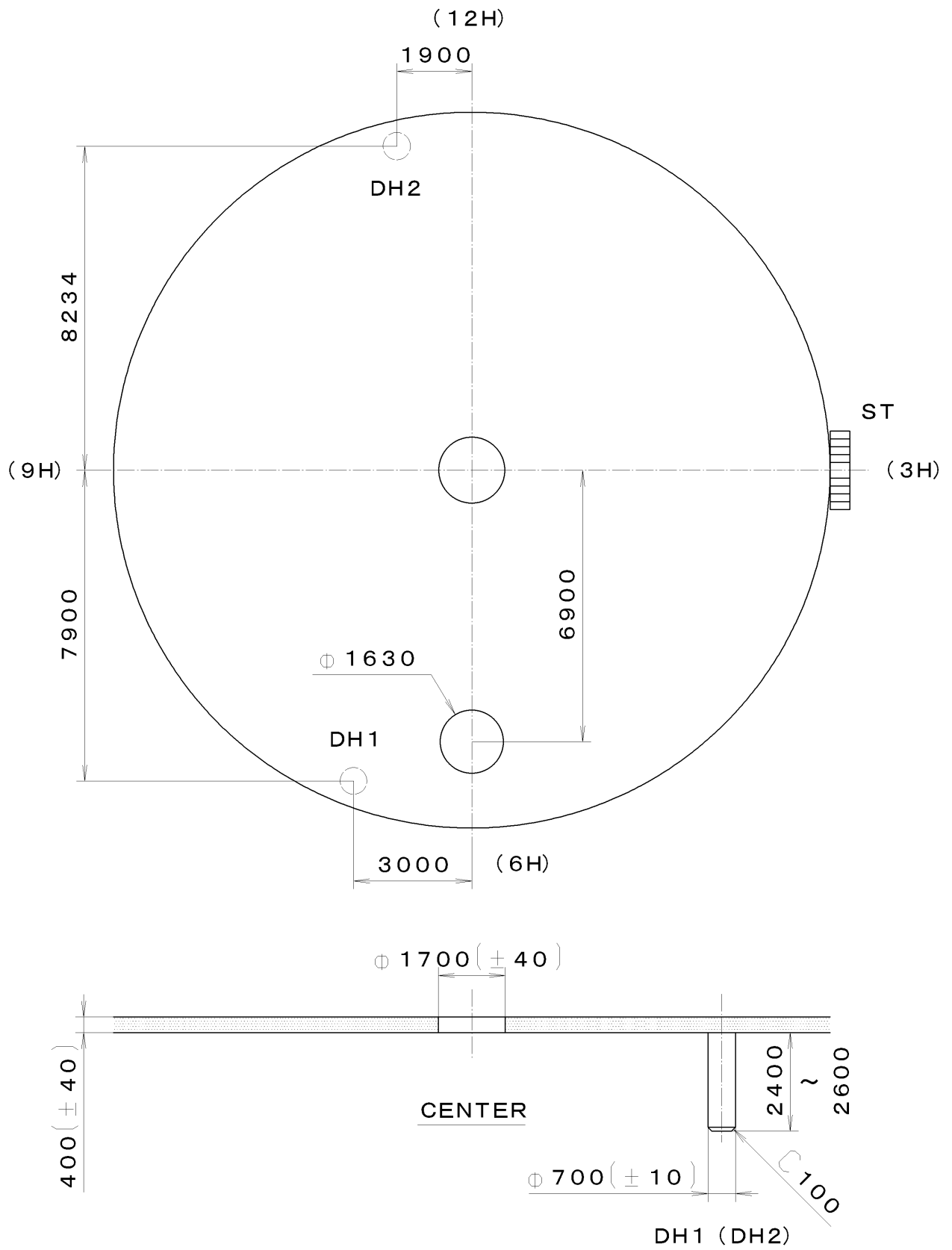
This drawing is provisional and subject to our reconfirmation and/or revision without notice.




△5			Quantity		Cal. NO. : 2015-10U / -10Z
△4			Unit	1 / 1000 mm	
△3			Scale	7 : 1	Parts No. :
△2			Date		
△1			Drawn		
Mark	Date	Description	Appr.	Checked	Name : N. Suzuki
Alterations			Approved		Indications for Dial
Material					Drawing No. : 2015D0BS
Heat Treatment					MIYOTA CITIZEN WATCH CO., LTD. TOKYO, JAPAN
Hardness					
Plating					

This drawing is provisional and subject to our reconfirmation and/or revision without notice.

*** T I P W 2015-10Z (01) *** (2100 1121) 04-03-08



△7			Quantity		Cal. No. :	2015-10U / -10Z
△6			Unit	1/1000 mm	Parts:	
△5			Scale	7:1	Name:	Indications for Dial
△4			Date		Drawing No. :	2015D010
△3			Drawn		<div style="text-align: center;">  <p>CITIZEN WATCH CO., LTD.</p> </div>	
△2			Checked	M. Fukuda		
△1			Approved			
Material			General Tolerances			
Heat Treatment			Dimensions			
Hardness			Angles			
Plating						