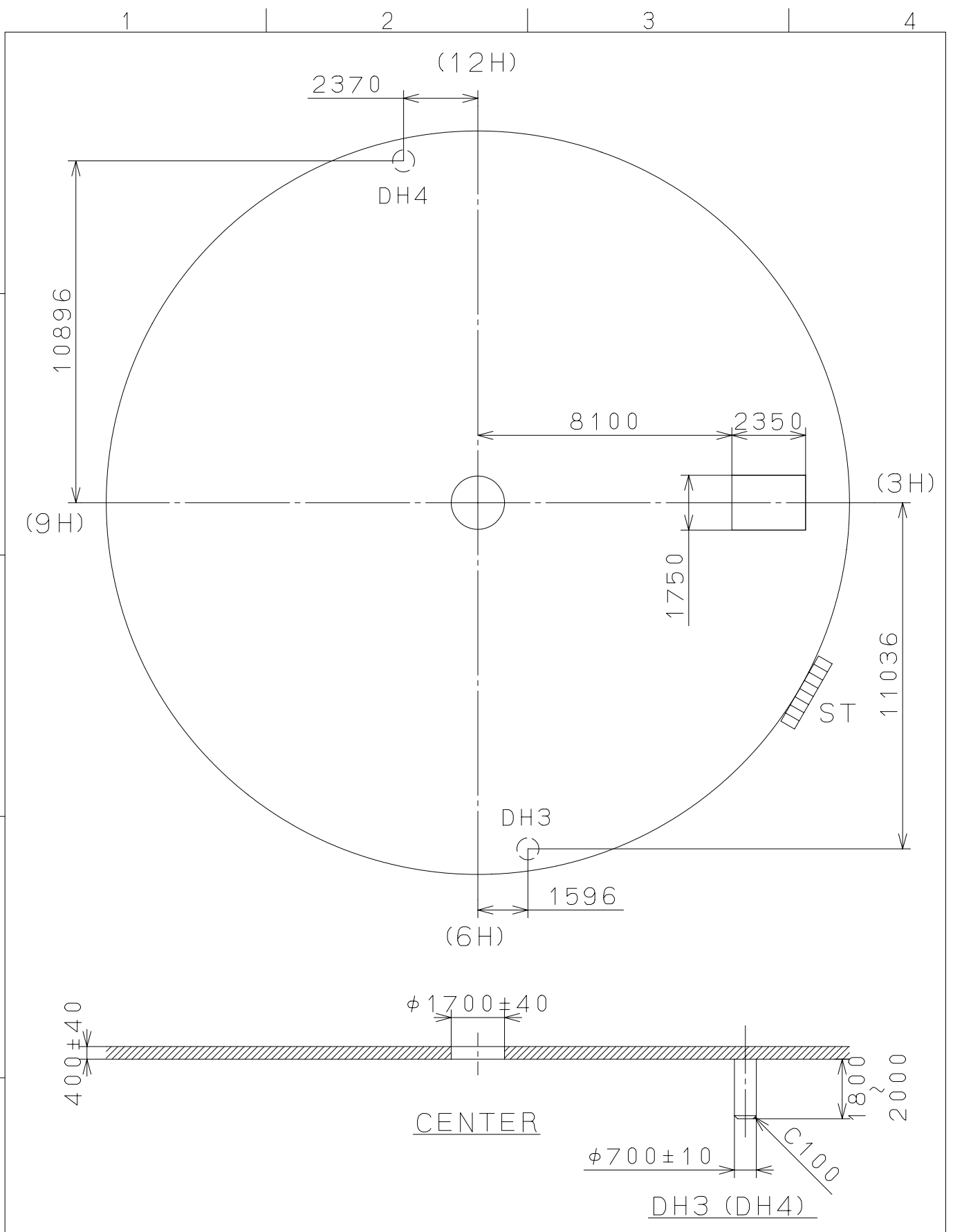



2005/08/23 (09:48:53)

This drawing is provisional and subject to our reconfirmation and/or revision without notice.



△			Quantity			Cal. NO. 2115-20SI-2SA
△			Unit	1 / 1000 mm		
△			Scale	6 / 1		Parts No.:
△				Date	Name	
△			Drawn			
Mark	Date	Description	Appr.	Checked	M. Fukuda	Name:
Alterations			Approved			Indications for Dial
Material					Drawing No.: 2115D030	
Heat Treatment			General Tolerances		 CITIZEN WATCH CO., LTD.	
Hardness			Dimensions			
Plating			Angles			