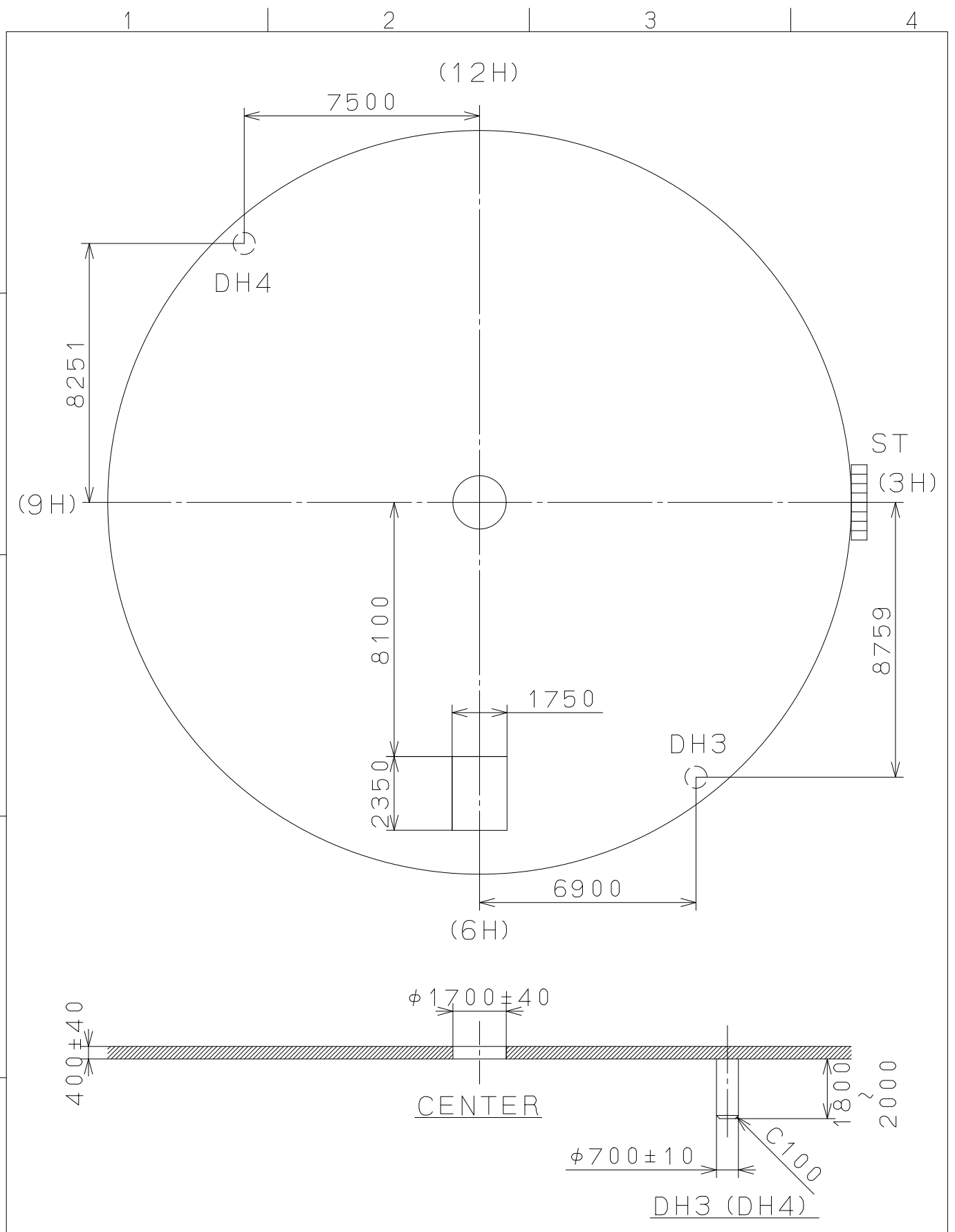


confidential papers 2012/06/26 (13:14:07)

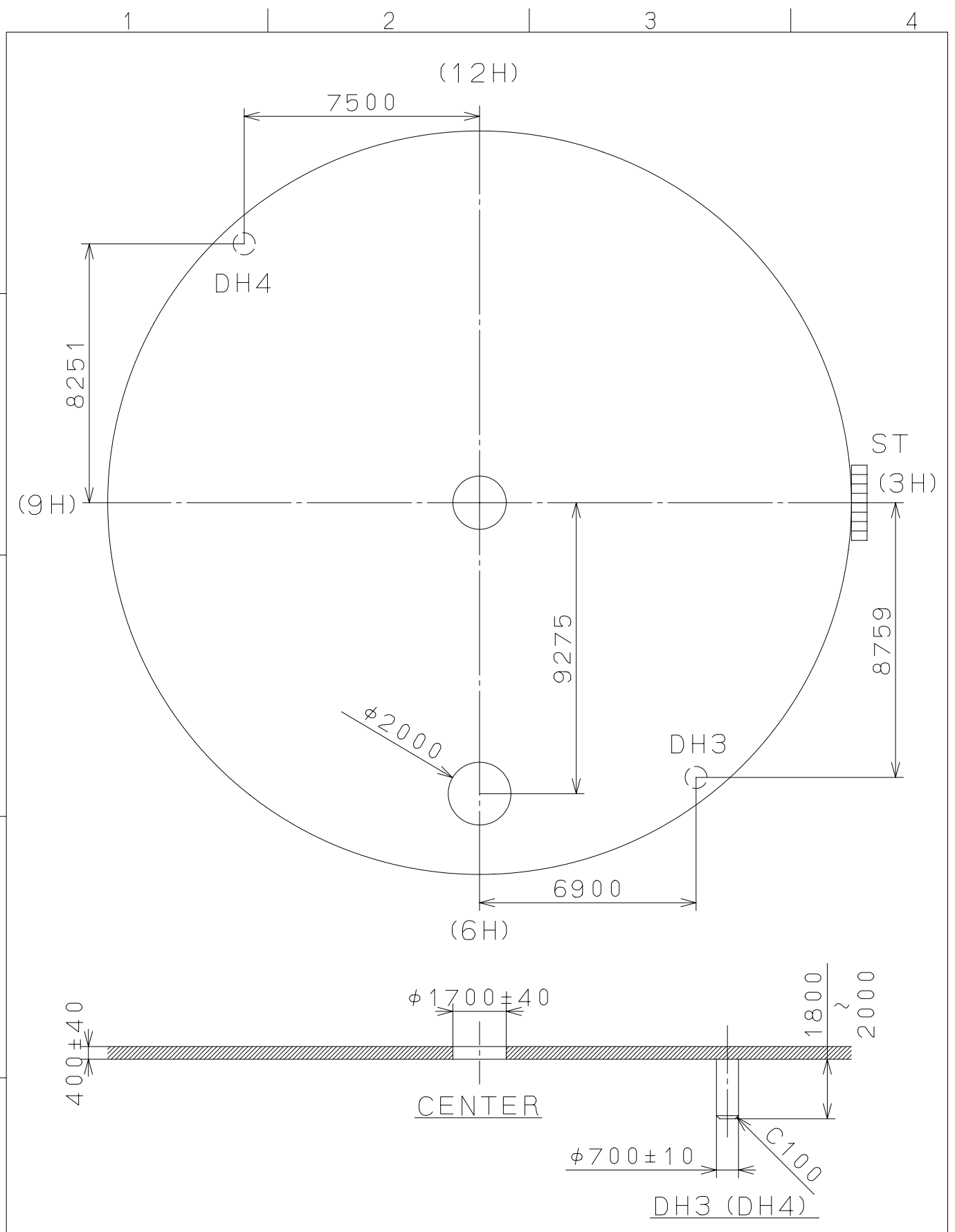
This drawing is provisional and subject to our reconfirmation and/or revision without notice.



△5			Quantity		Cal.NO.:	
△4			Unit	1 / 1000 _{mm}		2115-20Z / -20T
△3			Scale	6 / 1	Parts No.:	
△2			Date			
△1			Drawn			
Mark	Date	Description	Appr.	Checked	N. Suzuki	Name:
Alterations			Approved			Indications for Dial
Material						Drawing No.: 2115D120
Heat Treatment						MIYOTA CITIZEN WATCH CO., LTD. TOKYO, JAPAN
Hardness						
Plating						

2006/09/21 (11:21:43)

This drawing is provisional and subject to our reconfirmation and/or revision without notice.



△			Quantity		Cal. NO.:	2115-20Z / -20T
△			Unit	1 / 1000 mm	Parts No.:	
△			Scale	6 / 1		
△			Date			
△			Drawn			
Mark	Date	Description	Appro.	Checked	M. Fukuda	Name:
Alterations			Approved			Indications for Dial
Material						Drawing No.: 2115D050
Heat Treatment			General Tolerances		MIYOTA CITIZEN WATCH CO., LTD. TOKYO, JAPAN	
Hardness			Dimensions			
Plating			Angles			