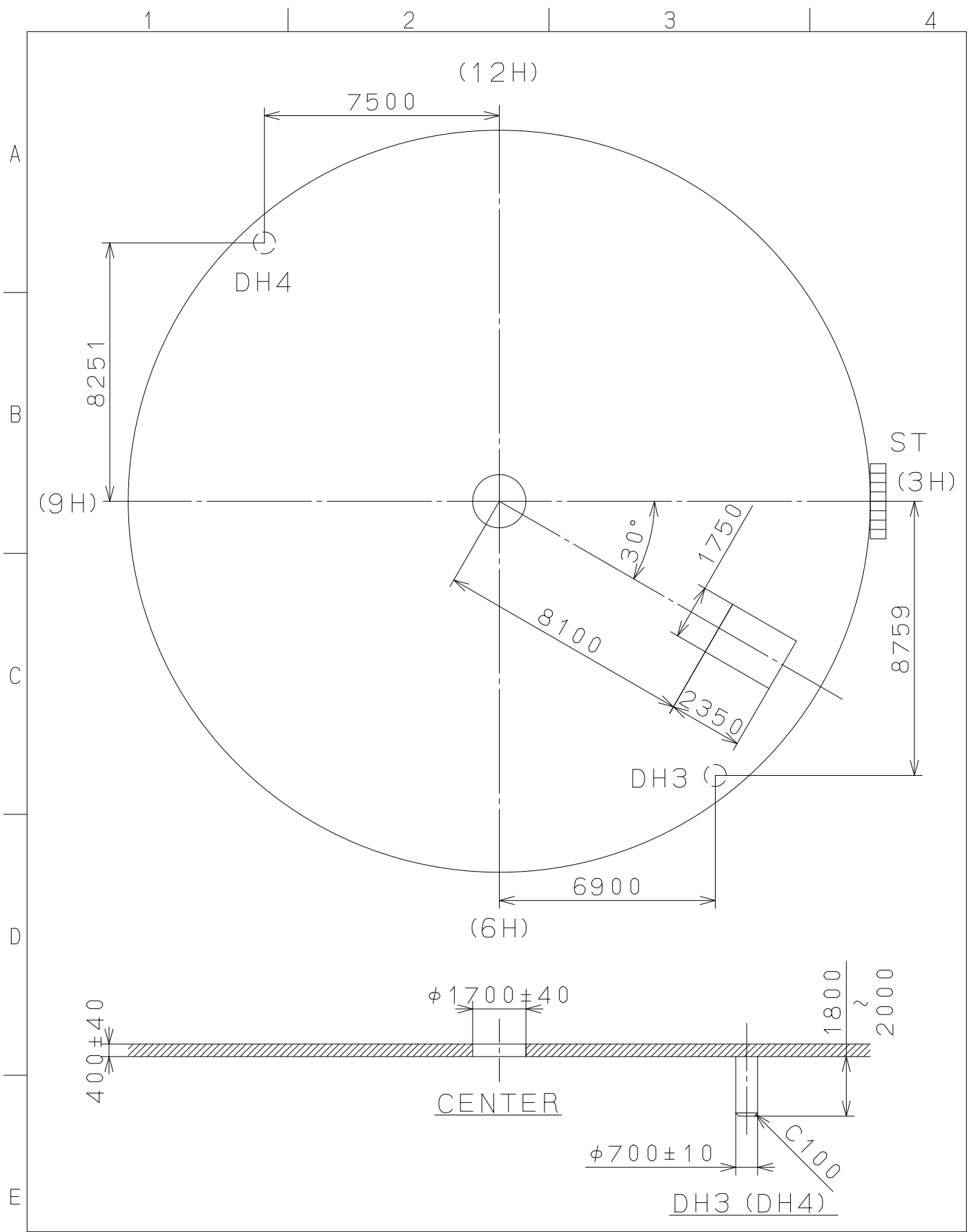


2010/04/05 (10:00:34)

This drawing is provisional and subject to our reconfirmation and/or revision without notice.



△			Quantity		Cal. NO.:	2115-2AZI-2ZY
△			Unit	1 / 1000 mm	Parts No.:	
△			Scale	6 : 1	Name:	
△			Date		Indications for Dial	
△			Drawn		Drawing No.:	2115D070
Mark	Date	Description	Appr.	Checked	N. Suzuki	
Alterations			Approved			
Material					MIYOTA	
Heat Treatment					CITIZEN WATCH CO., LTD. TOKYO, JAPAN	
Hardness						
Plating						