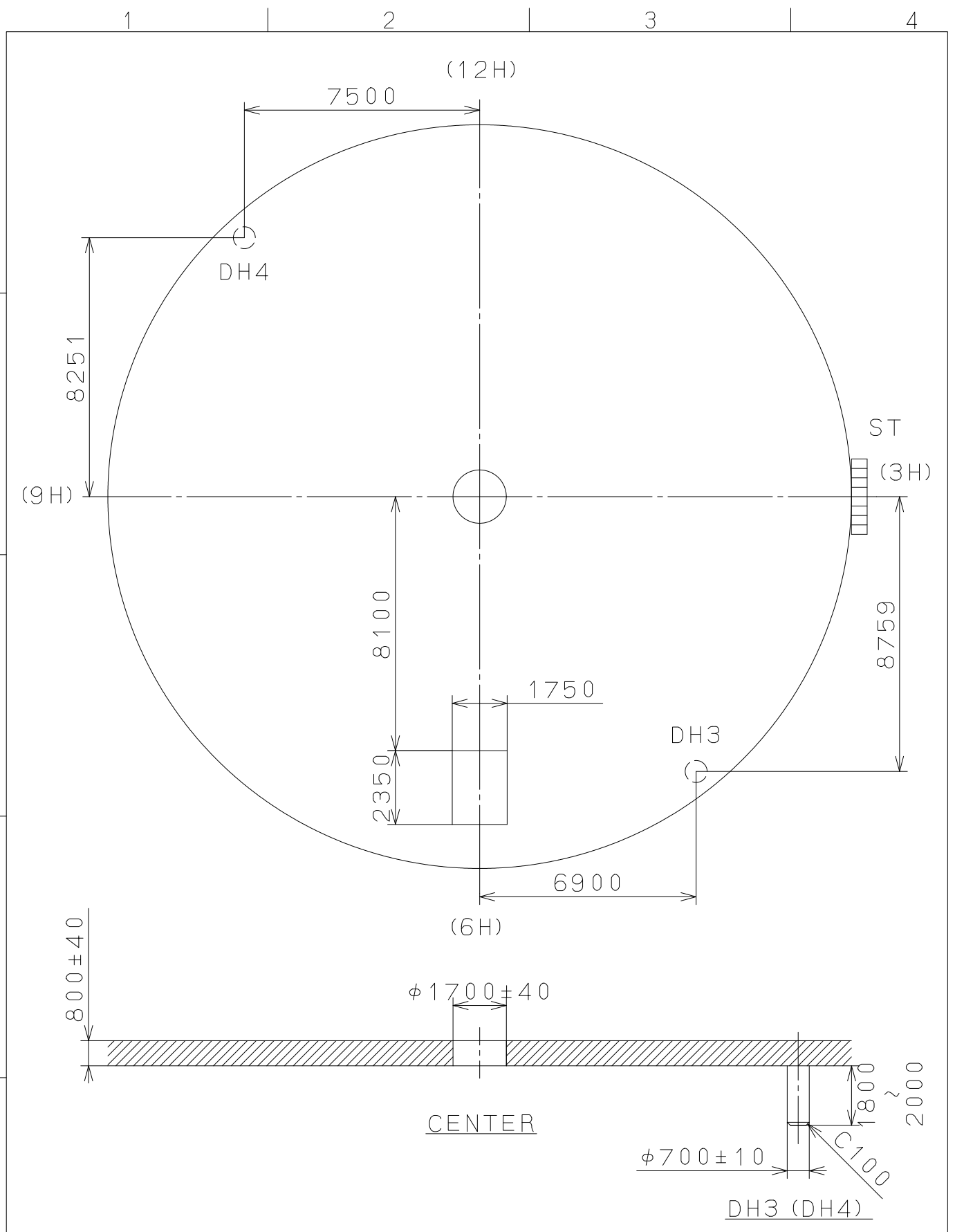


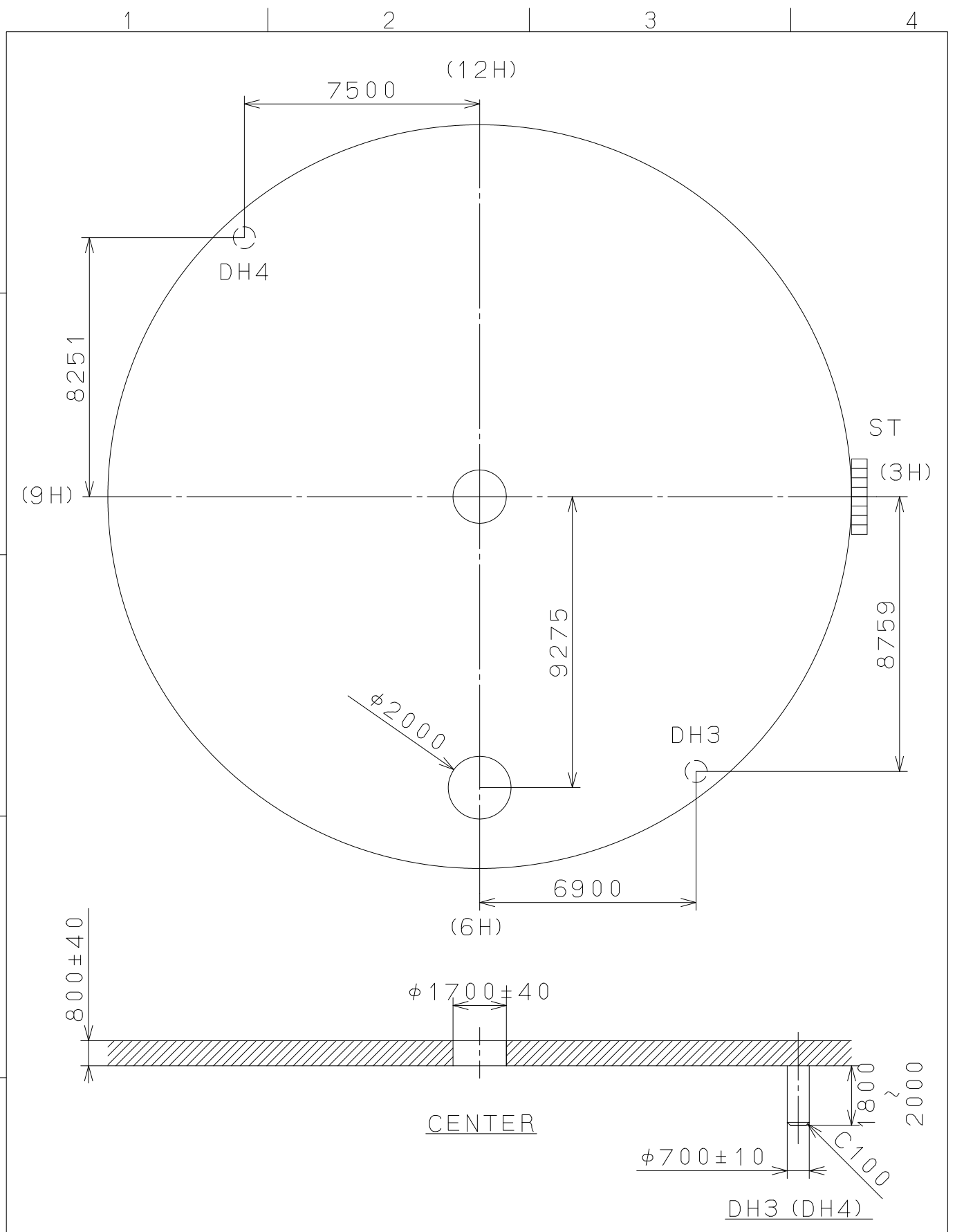
confidential papers 2012/06/29 (10:21:04)

This drawing is provisional and subject to our reconfirmation and/or revision without notice.



△5			Quantity		Cal. NO. : 2117-20Y
△4			Unit	1 / 1000 mm	
△3			Scale	6 : 1	Parts No. :
△2			Date		
△1			Drawn		
Mark	Date	Description	Appr.	Checked	Name :
		Alterations	Approved	N. Suzuki	Indications for Dial
Material					Drawing No. : 2117D040
Heat Treatment			General Tolerances		<b>MIYOTA</b>
Hardness			Dimensions		
Plating			Angles		
					CITIZEN WATCH CO., LTD. TOKYO, JAPAN

This drawing is provisional and subject to our reconfirmation and/or revision without notice.



△			Quantity		Cal.NO.:
△			Unit	1/1000 <sub>mm</sub>	2117-20Y
△			Scale	6 : 1	Parts No.:
△			Date		
△			Drawn		
Mark	Date	Description	Appr.	Checked	Name:
		Alterations	Approved	N. Suzuki	Indications for Dial
Material					Drawing No.:2117D010
Heat Treatment			General Tolerances	<b>MIYOTA</b> CITIZEN WATCH CO.,LTD. TOKYO,JAPAN	
Hardness			Dimensions		
Plating			Angles		