

MINIMUM UNIT ORDER : 1000pcs PER EACH MODELS

LEAD TIME(PRODUCTION BY ORDER) : 2 MONTHS~

| CAL. | | 6S10-00A | 6S10-00Z | 6S11-00A | 6S20-00A | 6S20-0AQ |
|----------------|------------|---------------------|---------------------|---------------------|---------------------|---------------------|
| 15''' | | | | | | |
| Dial Drawing | | PDF | PDF | PDF | PDF | PDF |
| Date | W.POSITION | 3H | 3H | 3H | 4.5H(SLA) | 4.5H(SLA) |
| | W.SHAPE | SQUARE | SQUARE | SQUARE | SQUARE | SQUARE |
| | BACKGROUND | WHITE | BLACK | WHITE | WHITE | BLACK |
| | LETTER | BLACK | WHITE | BLACK | BLACK | WHITE |
| CROWN POSITION | | 3H | 3H | 3H | 3H | 3H |
| ORDER | | STANDARD | PRODUCTION BY ORDER | STANDARD | STANDARD | PRODUCTION BY ORDER |

| CAL. | | 6S20-00Z | 6S20-00Q |
|----------------|------------|---------------------|---------------------|
| 15''' | | | |
| Dial Drawing | | PDF | PDF |
| Date | W.POSITION | 6H | 6H |
| | W.SHAPE | SQUARE | SQUARE |
| | BACKGROUND | WHITE | BLACK |
| | LETTER | BLACK | WHITE |
| CROWN POSITION | | 3H | 3H |
| ORDER | | PRODUCTION BY ORDER | PRODUCTION BY ORDER |

| CAL. | | 6S21-00A | 6S21-00Z | 6S21-00Q | 6S30-00A |
|----------------|------------|---------------------|---------------------|---------------------|---------------------|
| 15''' | | | | | |
| Dial Drawing | | PDF | PDF | PDF | PDF |
| Date | W.POSITION | 4.5H(SLA) | 6H | 6H | 4.5H(SLA) |
| | W.SHAPE | SQUARE | SQUARE | SQUARE | SQUARE |
| | BACKGROUND | WHITE | WHITE | BLACK | WHITE |
| | LETTER | BLACK | BLACK | WHITE | BLACK |
| CROWN POSITION | | 3H | 3H | 3H | 3H |
| ORDER | | STANDARD | STANDARD | PRODUCTION BY ORDER | STANDARD |

| CAL. | | 6S50-00A | 6S50-00Q |
|----------------|------------|---------------------|---------------------|
| 15''' | | | |
| Dial Drawing | | PDF | PDF |
| Date | W.POSITION | 12H | 12H |
| | W.SHAPE | SQUARE | SQUARE |
| | BACKGROUND | WHITE | BLACK |
| | LETTER | BLACK | WHITE |
| CROWN POSITION | | 3H | 3H |
| ORDER | | STANDARD | PRODUCTION BY ORDER |

MINIMUM UNIT ORDER : 1000pcs PER EACH MODELS

LEAD TIME(PRODUCTION BY ORDER) : 2 MONTHS~

| CAL. | | 0S00-10A | 0S00-10Z | 0S00-1AC | 0S00-1AD | 0S00-1AU |
|------------------|----------------|---------------------|---------------------|---------------------|---------------------|---------------------|
| 13 1/2''' | | | | | | |
| Dial Drawing | | PDF | PDF | PDF | PDF | PDF |
| Date | W.POSITION | 3H | 3H | 3H | 3H | 3H |
| | W.SHAPE | SQUARE | SQUARE | SQUARE | SQUARE | SQUARE |
| DAY | BACKGROUND | WHITE | BLACK | WHITE | WHITE | WHITE |
| | LETTER | BLACK | WHITE | BLACK | BLACK | BLACK |
| DAY | W. POSITION | 3H | 3H | 3H | 3H | 3H |
| | W.SHAPE | STRAIGHT | STRAIGHT | STRAIGHT | STRAIGHT | STRAIGHT |
| DAY | LANGUAGE | ENGLISH | ENGLISH | SPANISH | FRENCH | CHINESE |
| | BACKGROUND | WHITE | BLACK | WHITE | WHITE | WHITE |
| DAY | LETTER | BLACK | WHITE | BLACK | BLACK | BLACK |
| | CROWN POSITION | 3H | 3H | 3H | 3H | 3H |
| ORDER | | STANDARD | PRODUCTION BY ORDER | PRODUCTION BY ORDER | PRODUCTION BY ORDER | PRODUCTION BY ORDER |

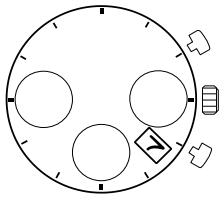
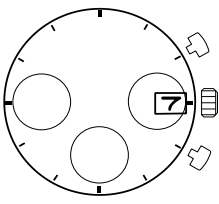
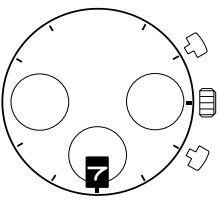
| CAL. | | 0S00-1AG | 0S06-10A |
|--------------------------------|----------------|---------------------|---------------------|
| 13 1/2''' High Hand | | | |
| Dial Drawing | | PDF | PDF |
| Date | W.POSITION | 3H | 3H |
| | W.SHAPE | SQUARE | SQUARE |
| DAY | BACKGROUND | WHITE | WHITE |
| | LETTER | BLACK | BLACK |
| DAY | W. POSITION | 3H | 3H |
| | W.SHAPE | STRAIGHT | STRAIGHT |
| DAY | LANGUAGE | PORTUGUESE | ENGLISH |
| | BACKGROUND | WHITE | WHITE |
| DAY | LETTER | BLACK | BLACK |
| | CROWN POSITION | 3H | 3H |
| ORDER | | PRODUCTION BY ORDER | PRODUCTION BY ORDER |

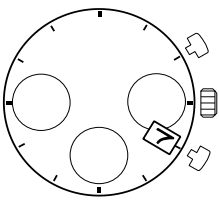
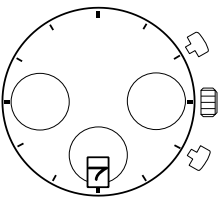
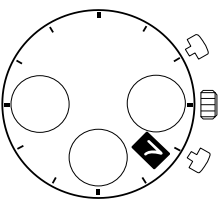
| CAL. | | 0S10-10A | 0S10-10Q | 0S10-10U | 0S10-10V |
|------------------|----------------|---------------------|---------------------|---------------------|---------------------|
| 13 1/2''' | | | | | |
| Dial Drawing | | PDF | PDF | PDF | PDF |
| Date | W.POSITION | 3H | 6H | 4H(SLA) | 4H(SLA) |
| | W.SHAPE | SQUARE | SQUARE | SQUARE | SQUARE |
| DAY | BACKGROUND | WHITE | WHITE | WHITE | BLACK |
| | LETTER | BLACK | BLACK | BLACK | WHITE |
| DAY | CROWN POSITION | 3H | 3H | 3H | 3H |
| | ORDER | STANDARD | PRODUCTION BY ORDER | STANDARD | PRODUCTION BY ORDER |

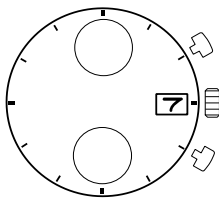
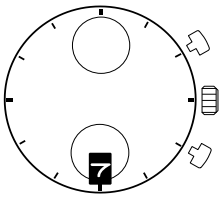
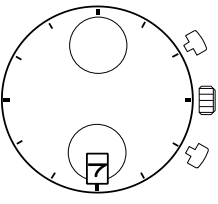
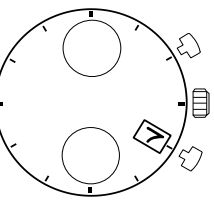
| CAL. | | 0S10-10Z | 0S10-1AR |
|------------------|----------------|---------------------|---------------------|
| 13 1/2''' | | | |
| Dial Drawing | | PDF | PDF |
| Date | W.POSITION | 3H | 3H |
| | W.SHAPE | SQUARE | ROUND |
| DAY | BACKGROUND | BLACK | WHITE |
| | LETTER | WHITE | BLACK |
| DAY | CROWN POSITION | 3H | 3H |
| | ORDER | PRODUCTION BY ORDER | PRODUCTION BY ORDER |

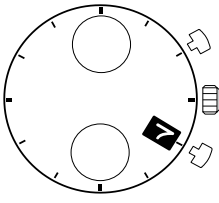
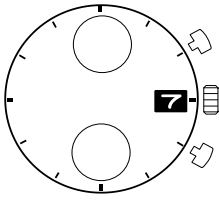
MINIMUM UNIT ORDER : 1000pcs PER EACH MODELS

LEAD TIME(PRODUCTION BY ORDER) : 2 MONTHS~

| CAL. | | 0S20-10A | 0S20-10K | 0S20-10Q |
|-----------------------|------------|---|---|--|
| <u>13 1/2"</u> | |  |  |  |
| Dial Drawing | | PDF | PDF | PDF |
| Date | W.POSITION | 4.5H(SLA) | 3H | 6H |
| | W.SHAPE | SQUARE | SQUARE | SQUARE |
| | BACKGROUND | WHITE | WHITE | BLACK |
| | LETTER | BLACK | BLACK | WHITE |
| CROWN POSITION | | 3H | 3H | 3H |
| ORDER | | STANDARD | PRODUCTION BY ORDER | PRODUCTION BY ORDER |

| CAL. | | 0S20-10U | 0S20-10Z | 0S20-1AQ |
|-----------------------|------------|---|---|--|
| <u>13 1/2"</u> | |  |  |  |
| Dial Drawing | | PDF | PDF | PDF |
| Date | W.POSITION | 4H(SLA) | 6H | 4.5H(SLA) |
| | W.SHAPE | SQUARE | SQUARE | SQUARE |
| | BACKGROUND | WHITE | WHITE | BLACK |
| | LETTER | BLACK | BLACK | WHITE |
| CROWN POSITION | | 3H | 3H | 3H |
| ORDER | | PRODUCTION BY ORDER | STANDARD | PRODUCTION BY ORDER |

| CAL. | | 0S11-10A | 0S11-10P | 0S11-10Q | 0S11-10U |
|-----------------------|------------|---|---|--|---|
| <u>13 1/2"</u> | |  |  |  |  |
| Dial Drawing | | PDF | PDF | PDF | PDF |
| Date | W.POSITION | 3H | 6H | 6H | 4H(SLA) |
| | W.SHAPE | SQUARE | SQUARE | SQUARE | SQUARE |
| | BACKGROUND | WHITE | BLACK | WHITE | WHITE |
| | LETTER | BLACK | WHITE | BLACK | BLACK |
| CROWN POSITION | | 3H | 3H | 3H | 3H |
| ORDER | | STANDARD | PRODUCTION BY ORDER | PRODUCTION BY ORDER | PRODUCTION BY ORDER |

| CAL. | | 0S11-10V | 0S11-10Z |
|-----------------------|------------|---|---|
| <u>13 1/2"</u> | |  |  |
| Dial Drawing | | PDF | PDF |
| Date | W.POSITION | 4H(SLA) | 3H |
| | W.SHAPE | SQUARE | SQUARE |
| | BACKGROUND | BLACK | BLACK |
| | LETTER | WHITE | WHITE |
| CROWN POSITION | | 3H | 3H |
| ORDER | | PRODUCTION BY ORDER | PRODUCTION BY ORDER |

MINIMUM UNIT ORDER : 1000pcs PER EACH MODELS

LEAD TIME(PRODUCTION BY ORDER) : 2 MONTHS~

| CAL. | | 0S21-10A | 0S21-10K | 0S21-10Q | 0S21-10Z | 0S21-1AQ |
|------------------|---|---------------------------------------|--------------------------------|--------------------------------|--------------------------------|---------------------------------------|
| 13 1/2''' | | | | | | |
| Dial Drawing | | PDF | PDF | PDF | PDF | PDF |
| Date | W.POSITION W.SHAPE BACKGROUND LETTER | 4.5H(SLA) SQUARE WHITE BLACK | 3H SQUARE WHITE BLACK | 6H SQUARE BLACK WHITE | 6H SQUARE WHITE BLACK | 4.5H(SLA) SQUARE BLACK WHITE |
| CROWN POSITION | | 3H | 3H | 3H | 3H | 3H |
| ORDER | | STANDARD | PRODUCTION BY ORDER | PRODUCTION BY ORDER | STANDARD | PRODUCTION BY ORDER |

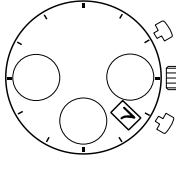
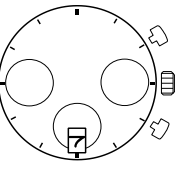
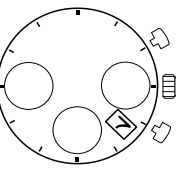
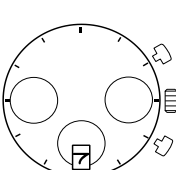
| CAL. | | 0S1A-10A | 0S1A-10Q | 0S1A-10U |
|--------------------------------|---|--------------------------------|--------------------------------|-------------------------------------|
| 13 1/2''' High Hand | | | | |
| Dial Drawing | | PDF | PDF | PDF |
| Date | W.POSITION W.SHAPE BACKGROUND LETTER | 3H SQUARE WHITE BLACK | 6H SQUARE WHITE BLACK | 4H(SLA) SQUARE WHITE BLACK |
| CROWN POSITION | | 3H | 3H | 3H |
| ORDER | | STANDARD | PRODUCTION BY ORDER | PRODUCTION BY ORDER |

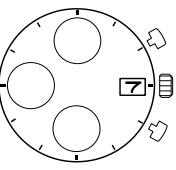
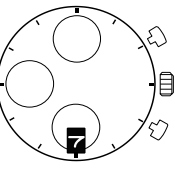
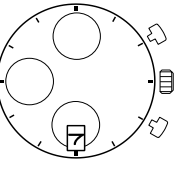
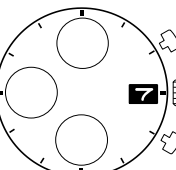
| CAL. | | 0S1A-1AW | 0S1A-1AQ | 0S1A-10Z | 0S1F-10A |
|--------------------------------|---|----------------------------------|----------------------------------|--------------------------------|--------------------------------|
| 13 1/2''' High Hand | | | | | |
| Dial Drawing | | PDF | PDF | PDF | PDF |
| Date | W.POSITION W.SHAPE BACKGROUND LETTER | 4.5H SQUARE WHITE BLACK | 4.5H SQUARE BLACK WHITE | 3H SQUARE BLACK WHITE | 3H SQUARE WHITE BLACK |
| CROWN POSITION | | 3H | 3H | 3H | 3H |
| ORDER | | PRODUCTION BY ORDER | PRODUCTION BY ORDER | PRODUCTION BY ORDER | PRODUCTION BY ORDER |

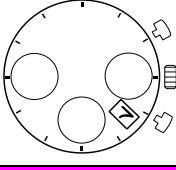
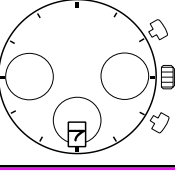
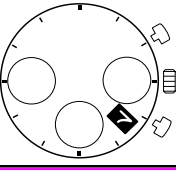
| CAL. | | 0S2A-10A | 0S2A-10Z | 0S2A-1AQ |
|--------------------------------|---|---------------------------------------|--------------------------------|---------------------------------------|
| 13 1/2''' High Hand | | | | |
| Dial Drawing | | PDF | PDF | PDF |
| Date | W.POSITION W.SHAPE BACKGROUND LETTER | 4.5H(SLA) SQUARE WHITE BLACK | 6H SQUARE WHITE BLACK | 4.5H(SLA) SQUARE BLACK WHITE |
| CROWN POSITION | | 3H | 3H | 3H |
| ORDER | | PRODUCTION BY ORDER | PRODUCTION BY ORDER | PRODUCTION BY ORDER |

MINIMUM UNIT ORDER : 1000pcs PER EACH MODELS

LEAD TIME(PRODUCTION BY ORDER) : 2 MONTHS~

| CAL. | | 0S2B-10A | 0S2B-10Z | 0S2F-10A | 0S2F-10Z |
|--------------------------------|---|---|---|--|---|
| 13 1/2''' High Hand | |  |  |  |  |
| Dial Drawing | | PDF | PDF | PDF | PDF |
| Date | W.POSITION W.SHAPE BACKGROUND LETTER | 4.5H(SLA) SQUARE WHITE BLACK | 6H SQUARE WHITE BLACK | 4.5H(SLA) SQUARE WHITE BLACK | 6H SQUARE WHITE BLACK |
| CROWN POSITION | | 3H | 3H | 3H | 3H |
| ORDER | | PRODUCTION BY ORDER | PRODUCTION BY ORDER | PRODUCTION BY ORDER | PRODUCTION BY ORDER |

| CAL. | | 0S60-10A | 0S60-10Q | 0S60-10W | 0S60-10Z |
|------------------|---|---|---|--|---|
| 13 1/2''' | |  |  |  |  |
| Dial Drawing | | PDF | PDF | PDF | PDF |
| Date | W.POSITION W.SHAPE BACKGROUND LETTER | 3H SQUARE WHITE BLACK | 6H SQUARE BLACK WHITE | 6H SQUARE WHITE BLACK | 3H SQUARE BLACK WHITE |
| CROWN POSITION | | 3H | 3H | 3H | 3H |
| ORDER | | STANDARD | PRODUCTION BY ORDER | PRODUCTION BY ORDER | PRODUCTION BY ORDER |

| CAL. | | 0S25-10A | 0S25-10Z | 0S25-1AQ |
|------------------|---|---|---|--|
| 13 1/2''' | |  |  |  |
| Dial Drawing | | PDF | PDF | PDF |
| Date | W.POSITION W.SHAPE BACKGROUND LETTER | 4.5H(SLA) SQUARE WHITE BLACK | 6H SQUARE WHITE BLACK | 4.5H(SLA) SQUARE BLACK WHITE |
| CROWN POSITION | | 3H | 3H | 3H |
| ORDER | | STANDARD | PRODUCTION BY ORDER | PRODUCTION BY ORDER |

MINIMUM UNIT ORDER : 1000pcs PER EACH MODELS

LEAD TIME(PRODUCTION BY ORDER) : 2 MONTHS~

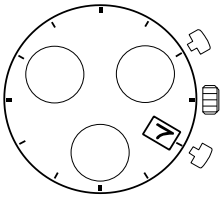
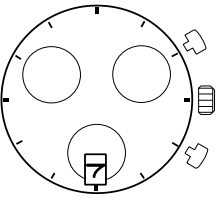
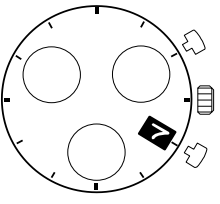
| CAL. | | 0S80-00A | 0S90-00A | 0S90-00U | 0S90-00V |
|-------------------------|------------|---------------------|---------------------|---------------------|---------------------|
| <u>13 1/2'''</u> | | | | | |
| Dial Drawing | | PDF | PDF | PDF | PDF |
| Date | W.POSITION | 3H | 3H | 4H(SLA) | 4H(SLA) |
| | W.SHAPE | SQUARE | SQUARE | SQUARE | SQUARE |
| Date | BACKGROUND | WHITE | WHITE | WHITE | BLACK |
| | LETTER | BLACK | BLACK | BLACK | WHITE |
| CROWN POSITION | | 3H | 3H | 3H | 3H |
| ORDER | | STANDARD | STANDARD | PRODUCTION BY ORDER | PRODUCTION BY ORDER |

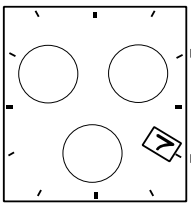
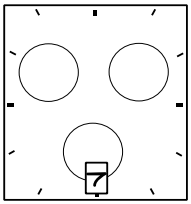
| CAL. | | 0S62-10A | 0S62-10U | 0S62-10V | 0S62-10W |
|-------------------------|------------|---------------------|---------------------|---------------------|---------------------|
| <u>13 1/2'''</u> | | | | | |
| Dial Drawing | | PDF | PDF | PDF | PDF |
| Date | W.POSITION | 3H | 4H(SLA) | 4H(SLA) | 6H |
| | W.SHAPE | SQUARE | SQUARE | SQUARE | SQUARE |
| Date | BACKGROUND | WHITE | WHITE | BLACK | WHITE |
| | LETTER | BLACK | BLACK | WHITE | BLACK |
| CROWN POSITION | | 3H | 3H | 3H | 3H |
| ORDER | | STANDARD | PRODUCTION BY ORDER | PRODUCTION BY ORDER | PRODUCTION BY ORDER |

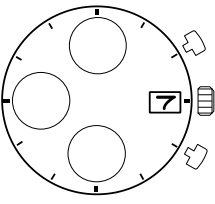
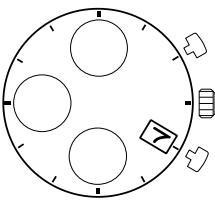
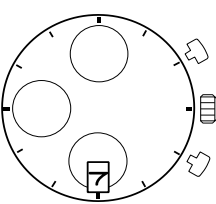
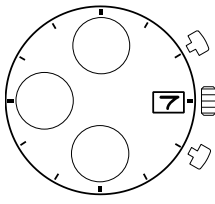
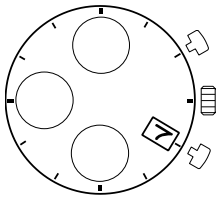
| CAL. | | 0S22-10A | 0S22-10Q | 0S22-1AQ |
|-------------------------|------------|---------------------|---------------------|---------------------|
| <u>13 1/2'''</u> | | | | |
| Dial Drawing | | PDF | PDF | PDF |
| Date | W.POSITION | 4.5H(SLA) | 6H | 4.5H(SLA) |
| | W.SHAPE | SQUARE | SQUARE | SQUARE |
| Date | BACKGROUND | WHITE | BLACK | BLACK |
| | LETTER | BLACK | WHITE | WHITE |
| CROWN POSITION | | 3H | 3H | 3H |
| ORDER | | STANDARD | PRODUCTION BY ORDER | PRODUCTION BY ORDER |

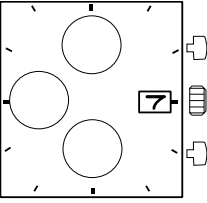
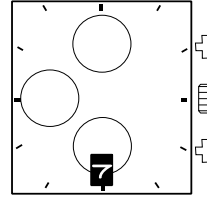
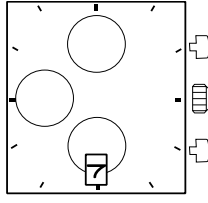
MINIMUM UNIT ORDER : 1000pcs PER EACH MODELS

LEAD TIME(PRODUCTION BY ORDER) : 2 MONTHS~

| CAL. | | FS00-10A | FS00-10Y | FS00-10Z |
|------------------|------------|---|---|--|
| <u>10 1/2'''</u> | |  |  |  |
| Dial Drawing | | PDF | PDF | PDF |
| Date | W.POSITION | 4H(SLA) | 6H | 4H(SLA) |
| | W.SHAPE | SQUARE | SQUARE | SQUARE |
| Date | BACKGROUND | WHITE | WHITE | BLACK |
| | LETTER | BLACK | BLACK | WHITE |
| CROWN POSITION | | 3H | 3H | 3H |
| ORDER | | STANDARD | PRODUCTION BY ORDER | PRODUCTION BY ORDER |

| CAL. | | FS01-10A | FS01-10Y |
|------------------|------------|---|---|
| <u>10 1/2'''</u> | |  |  |
| Dial Drawing | | PDF | PDF |
| Date | W.POSITION | 4H(SLA) | 6H |
| | W.SHAPE | SQUARE | SQUARE |
| Date | BACKGROUND | WHITE | WHITE |
| | LETTER | BLACK | BLACK |
| CROWN POSITION | | 3H | 3H |
| ORDER | | STANDARD | PRODUCTION BY ORDER |

| CAL. | | FS10-10A | FS10-10S | FS10-10Y | FS16-00A | FS16-00S |
|------------------|------------|---|---|--|---|---|
| <u>10 1/2'''</u> | |  |  |  |  |  |
| Dial Drawing | | PDF | PDF | PDF | PDF | PDF |
| Date | W.POSITION | 3H | 4H(SLA) | 6H | 3H | 4H(SLA) |
| | W.SHAPE | SQUARE | SQUARE | SQUARE | SQUARE | SQUARE |
| Date | BACKGROUND | WHITE | WHITE | WHITE | WHITE | WHITE |
| | LETTER | BLACK | BLACK | BLACK | BLACK | BLACK |
| CROWN POSITION | | 3H | 3H | 3H | 3H | 3H |
| ORDER | | STANDARD | PRODUCTION BY ORDER | PRODUCTION BY ORDER | PRODUCTION BY ORDER | PRODUCTION BY ORDER |

| CAL. | | FS11-10A | FS11-10X | FS11-10Y |
|------------------|------------|---|---|--|
| <u>10 1/2'''</u> | |  |  |  |
| Dial Drawing | | PDF | PDF | PDF |
| Date | W.POSITION | 3H | 6H | 6H |
| | W.SHAPE | SQUARE | SQUARE | SQUARE |
| Date | BACKGROUND | WHITE | BLACK | WHITE |
| | LETTER | BLACK | WHITE | BLACK |
| CROWN POSITION | | 3H | 3H | 3H |
| ORDER | | PRODUCTION BY ORDER | PRODUCTION BY ORDER | PRODUCTION BY ORDER |

MINIMUM UNIT ORDER : 1000pcs PER EACH MODELS

LEAD TIME(PRODUCTION BY ORDER) : 2 MONTHS~

| CAL. | | FS13-10A | FS13-10Z |
|--------------------------------------|------------|---------------------|---------------------|
| 10 1/2''' High Hand | | | |
| Dial Drawing | | PDF | PDF |
| Date | W.POSITION | 3H | 3H |
| | W.SHAPE | SQUARE | SQUARE |
| Date | BACKGROUND | WHITE | BLACK |
| | LETTER | BLACK | WHITE |
| CROWN POSITION | | 3H | 3H |
| ORDER | | PRODUCTION BY ORDER | PRODUCTION BY ORDER |

| CAL. | | FS60-10A | FS60-10Y | FS60-10Z | FS61-10A |
|------------------|------------|------------|---------------------|---------------------|---------------------|
| 10 1/2''' | | | | | |
| Dial Drawing | | PDF | PDF | PDF | PDF |
| Date | W.POSITION | 4.5H(SLA) | 6H | 4.5H(SLA) | 4.5H(SLA) |
| | W.SHAPE | SQUARE | SQUARE | SQUARE | SQUARE |
| Date | BACKGROUND | WHITE | WHITE | BLACK | WHITE |
| | LETTER | BLACK | BLACK | WHITE | BLACK |
| CROWN POSITION | | 3H | 3H | 3H | 3H |
| ORDER | | STANDARD | PRODUCTION BY ORDER | PRODUCTION BY ORDER | PRODUCTION BY ORDER |

| CAL. | | FS80-00A |
|------------------|------------|---------------------|
| 10 1/2''' | | |
| Dial Drawing | | PDF |
| Date | W.POSITION | 4.5H(SLA) |
| | W.SHAPE | SQUARE |
| Date | BACKGROUND | WHITE |
| | LETTER | BLACK |
| CROWN POSITION | | 3H |
| ORDER | | PRODUCTION BY ORDER |

| CAL. | | FS20-10A | FS20-10U | FS20-10X | FS20-10Y | FS20-10Z |
|------------------|------------|------------|---------------------|---------------------|---------------------|---------------------|
| 10 1/2''' | | | | | | |
| Dial Drawing | | PDF | PDF | PDF | PDF | PDF |
| Date | W.POSITION | 4.5H(SLA) | 3H | 6H | 6H | 4.5H(SLA) |
| | W.SHAPE | SQUARE | SQUARE | SQUARE | SQUARE | SQUARE |
| Date | BACKGROUND | WHITE | WHITE | BLACK | WHITE | BLACK |
| | LETTER | BLACK | BLACK | WHITE | BLACK | WHITE |
| CROWN POSITION | | 3H | 3H | 3H | 3H | 3H |
| ORDER | | STANDARD | PRODUCTION BY ORDER | PRODUCTION BY ORDER | PRODUCTION BY ORDER | PRODUCTION BY ORDER |

MINIMUM UNIT ORDER : 1000pcs PER EACH MODELS

LEAD TIME(PRODUCTION BY ORDER) : 2 MONTHS~

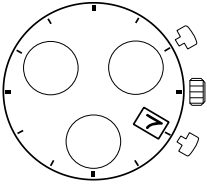
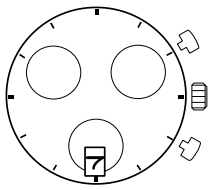
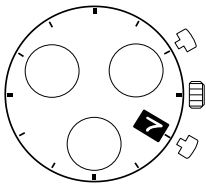
| CAL. | | FS21-10A | FS21-10X | FS21-10Y | FS21-10Z |
|------------------|---|---------------------------------------|--------------------------------|--------------------------------|---------------------------------------|
| 10 1/2''' | | | | | |
| Dial Drawing | | PDF | PDF | PDF | PDF |
| Date | W.POSITION W.SHAPE BACKGROUND LETTER | 4.5H(SLA) SQUARE WHITE BLACK | 6H SQUARE BLACK WHITE | 6H SQUARE WHITE BLACK | 4.5H(SLA) SQUARE BLACK WHITE |
| CROWN POSITION | | 3H | 3H | 3H | 3H |
| ORDER | | PRODUCTION BY ORDER | PRODUCTION BY ORDER | PRODUCTION BY ORDER | PRODUCTION BY ORDER |

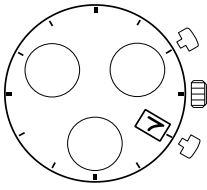
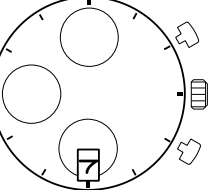
| CAL. | | FS23-10A | FS23-10X | FS23-10Y |
|--------------------------------|---|---------------------------------------|--------------------------------|--------------------------------|
| 10 1/2''' High Hand | | | | |
| Dial Drawing | | PDF | PDF | PDF |
| Date | W.POSITION W.SHAPE BACKGROUND LETTER | 4.5H(SLA) SQUARE WHITE BLACK | 6H SQUARE BLACK WHITE | 6H SQUARE WHITE BLACK |
| CROWN POSITION | | 3H | 3H | 3H |
| ORDER | | STANDARD | PRODUCTION BY ORDER | PRODUCTION BY ORDER |

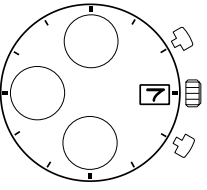
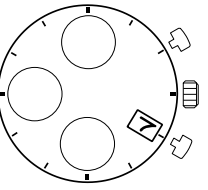
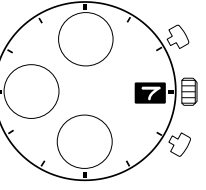
| CAL. | | FS26-10A | FS26-10Y |
|------------------|---|---------------------------------------|--------------------------------|
| 10 1/2''' | | | |
| Dial Drawing | | PDF | PDF |
| Date | W.POSITION W.SHAPE BACKGROUND LETTER | 4.5H(SLA) SQUARE WHITE BLACK | 6H SQUARE WHITE BLACK |
| CROWN POSITION | | 3H | 3H |
| ORDER | | STANDARD | PRODUCTION BY ORDER |

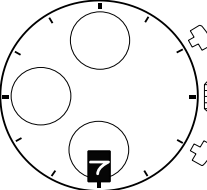
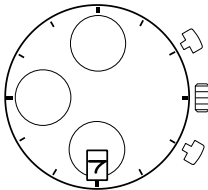
MINIMUM UNIT ORDER : 1000pcs PER EACH MODELS

LEAD TIME(PRODUCTION BY ORDER) : 2 MONTHS~

| CAL. | | JS05-00C | JS05-00X | JS05-00Y |
|-----------------------|------------|---|---|--|
| <u>12 1/2"</u> | |  |  |  |
| Dial Drawing | | PDF | PDF | PDF |
| Date | W.POSITION | 4H(SLA) | 6H | 4H(SLA) |
| | W.SHAPE | SQUARE | SQUARE | SQUARE |
| | BACKGROUND | WHITE | WHITE | BLACK |
| | LETTER | BLACK | BLACK | WHITE |
| CROWN POSITION | | 3H | 3H | 3H |
| ORDER | | STANDARD | PRODUCTION BY ORDER | PRODUCTION BY ORDER |

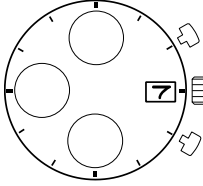
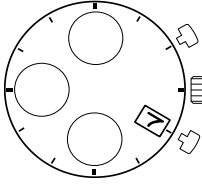
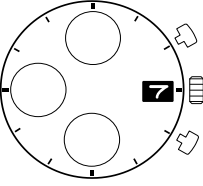
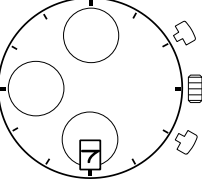
| CAL. | | JS06-00C | JS06-00X |
|---|------------|---|---|
| <u>12 1/2"</u> High Hand | |  |  |
| Dial Drawing | | PDF | PDF |
| Date | W.POSITION | 4H(SLA) | 6H |
| | W.SHAPE | SQUARE | SQUARE |
| | BACKGROUND | WHITE | WHITE |
| | LETTER | BLACK | BLACK |
| CROWN POSITION | | 3H | 3H |
| ORDER | | PRODUCTION BY ORDER | PRODUCTION BY ORDER |

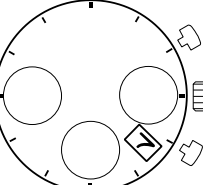
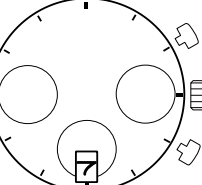
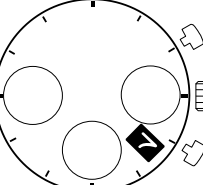
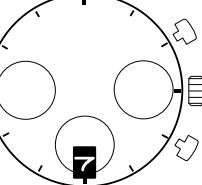
| CAL. | | JS15-00C | JS15-00U | JS15-00Y |
|-----------------------|------------|---|---|--|
| <u>12 1/2"</u> | |  |  |  |
| Dial Drawing | | PDF | PDF | PDF |
| Date | W.POSITION | 3H | 4H(SLA) | 3H |
| | W.SHAPE | SQUARE | SQUARE | SQUARE |
| | BACKGROUND | WHITE | WHITE | BLACK |
| | LETTER | BLACK | BLACK | WHITE |
| CROWN POSITION | | 3H | 3H | 3H |
| ORDER | | STANDARD | PRODUCTION BY ORDER | PRODUCTION BY ORDER |

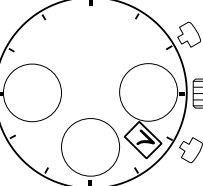
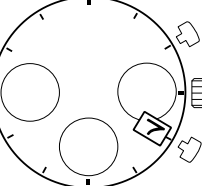
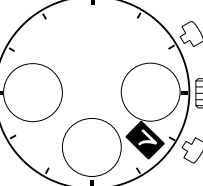
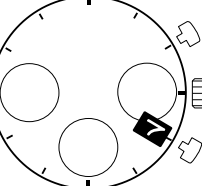
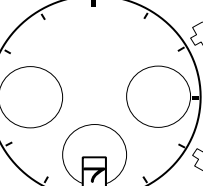
| CAL. | | JS15-0XK | JS15-00X |
|-----------------------|------------|---|---|
| <u>12 1/2"</u> | |  |  |
| Dial Drawing | | PDF | PDF |
| Date | W.POSITION | 6H | 6H |
| | W.SHAPE | SQUARE | SQUARE |
| | BACKGROUND | BLACK | WHITE |
| | LETTER | WHITE | BLACK |
| CROWN POSITION | | 3H | 3H |
| ORDER | | PRODUCTION BY ORDER | PRODUCTION BY ORDER |

MINIMUM UNIT ORDER : 1000pcs PER EACH MODELS

LEAD TIME(PRODUCTION BY ORDER) : 2 MONTHS~

| CAL. | | JS16-00C | JS16-00U | JS16-00Y | JS16-00X |
|--------------------------------|------------|---|---|--|---|
| 12 1/2''' High Hand | |  |  |  |  |
| Dial Drawing | | PDF | PDF | PDF | PDF |
| Date | W.POSITION | 3H | 4H(SLA) | 3H | 6H |
| | W.SHAPE | SQUARE | SQUARE | SQUARE | SQUARE |
| Date | BACKGROUND | WHITE | WHITE | BLACK | WHITE |
| | LETTER | BLACK | BLACK | WHITE | BLACK |
| CROWN POSITION | | 3H | 3H | 3H | 3H |
| ORDER | | PRODUCTION BY ORDER | PRODUCTION BY ORDER | PRODUCTION BY ORDER | PRODUCTION BY ORDER |

| CAL. | | JS25-00C | JS25-00X | JS25-00Y | JS25-00K |
|------------------|------------|---|---|--|---|
| 12 1/2''' | |  |  |  |  |
| Dial Drawing | | PDF | PDF | PDF | PDF |
| Date | W.POSITION | 4.5H(SLA) | 6H | 4.5H(SLA) | 6H |
| | W.SHAPE | SQUARE | SQUARE | SQUARE | SQUARE |
| Date | BACKGROUND | WHITE | WHITE | BLACK | BLACK |
| | LETTER | BLACK | BLACK | WHITE | WHITE |
| CROWN POSITION | | 3H | 3H | 3H | 3H |
| ORDER | | STANDARD | STANDARD | PRODUCTION BY ORDER | PRODUCTION BY ORDER |

| CAL. | | JS26-00C | JS26-00U | JS26-00Y | JS26-0UY | JS26-00X |
|--------------------------------|------------|---|---|--|---|---|
| 12 1/2''' High Hand | |  |  |  |  |  |
| Dial Drawing | | PDF | PDF | PDF | PDF | PDF |
| Date | W.POSITION | 4.5H(SLA) | 4H(SLA) | 4.5H(SLA) | 4H(SLA) | 6H |
| | W.SHAPE | SQUARE | SQUARE | SQUARE | SQUARE | SQUARE |
| Date | BACKGROUND | WHITE | WHITE | BLACK | BLACK | WHITE |
| | LETTER | BLACK | BLACK | WHITE | WHITE | BLACK |
| CROWN POSITION | | 3H | 3H | 3H | 3H | 3H |
| ORDER | | PRODUCTION BY ORDER | PRODUCTION BY ORDER | PRODUCTION BY ORDER | PRODUCTION BY ORDER | PRODUCTION BY ORDER |