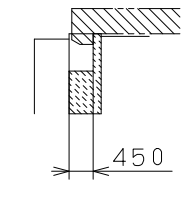
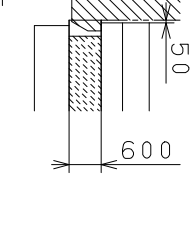
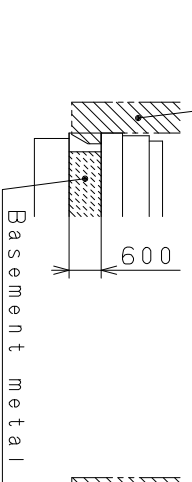
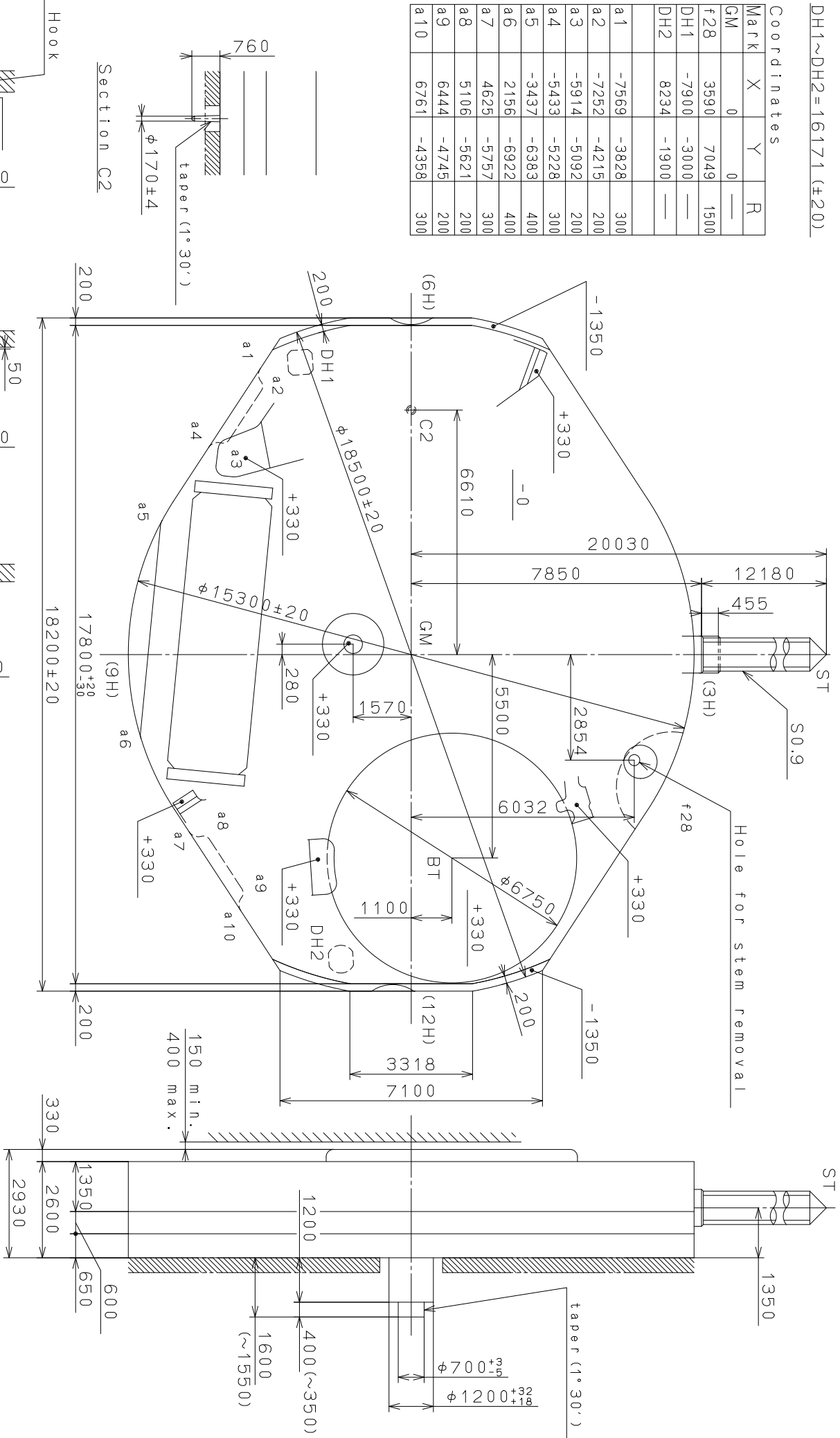


This drawing is provisional and subject to our reconfirmation and/or revision without notice.

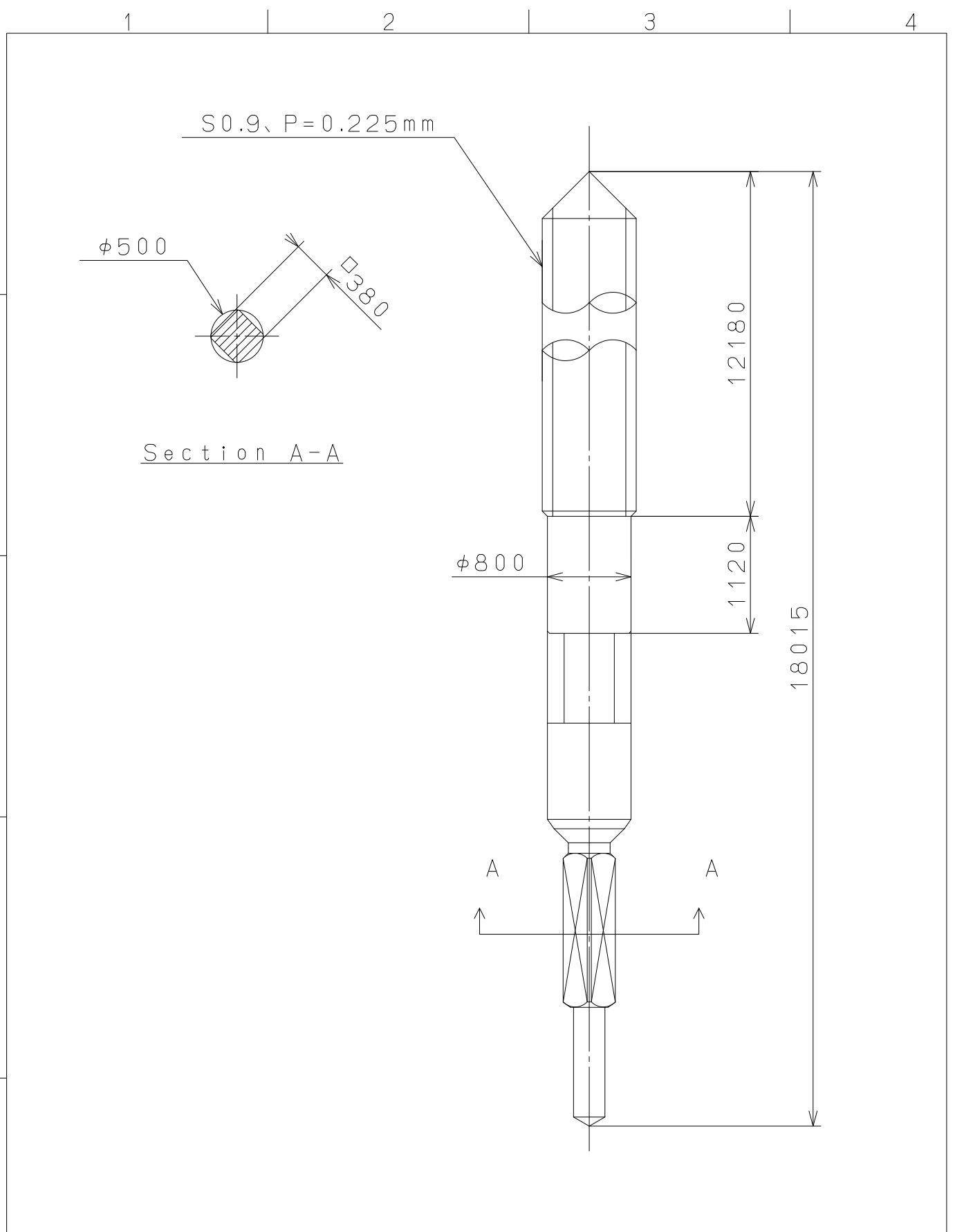
DH1~DH2=16171 (±20)

Coordinates			
Mark	X	Y	R
GM	0	0	—
f28	3590	7049	1500
DH1	-7900	-3000	—
DH2	8234	-1900	—
a1	-7569	-3828	300
a2	-7252	-4215	200
a3	-5914	-5092	200
a4	-5433	-5228	300
a5	-3437	-6383	400
a6	2156	-6922	400
a7	4625	-5757	300
a8	5106	-5621	200
a9	6444	-4745	200
a10	6761	-4358	300



Quantity	Unit	Cal. No.:
1	1/1000 mm	1L45
Scale	10:1	Parts No.:
Date	Drawn	Name:
Mark	Description	Checked
Material	Alterations	Approved
Heat Treatment	Material	Frame for Case
Hardness	General Tolerances	Drawing No.: 1L45C000
Plating	Dimensions	CITIZEN WATCH CO., LTD. TOKYO, JAPAN
	Angles	MIYOTA

This drawing is provisional and subject to our reconfirmation and/or revision without notice.



⑤			Quantity		Cal.NO.:
④			Unit	1 / 1000 mm	
③			Scale	20 : 1	Parts No.:
②			Date		065-477
①			Drawn		
Mark	Date	Description	Appr.	Checked	M. Kobayashi
Alterations			Approved	Name:	
					SETTING STEM
Material					Drawing No.: 4770S000
Heat Treatment					MIYOTA CITIZEN WATCH CO., LTD. TOKYO, JAPAN
Hardness					
Plating					