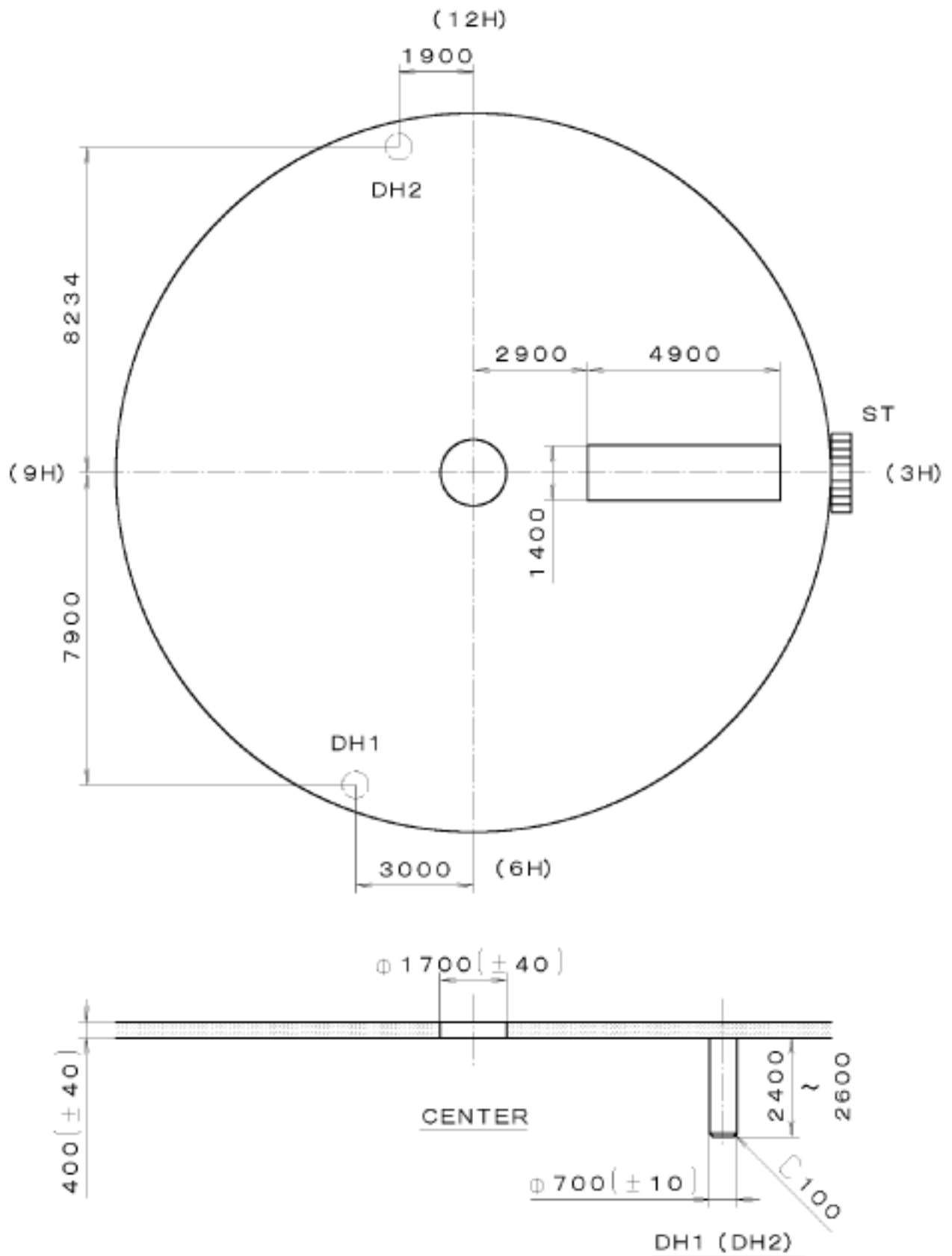


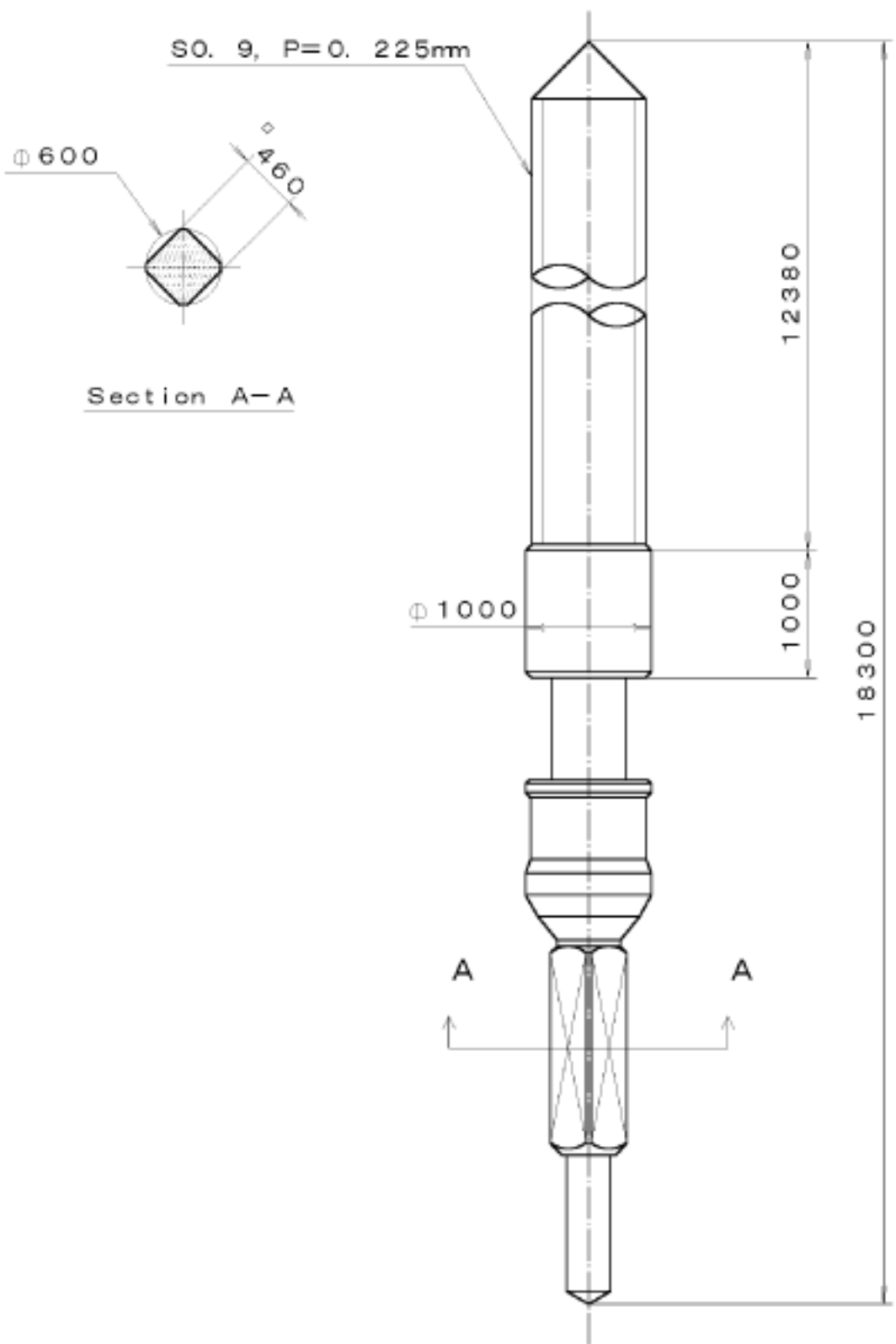
This drawing is provisional and subject to our reconfirmation and/or revision without notice.



00-08-14
 3
 00-08-14
 121
 2005-00A
 011
 xxx
 2005-00A
 011
 xxx
 T.P.W.

| | | | | | |
|----------------|--|--------------------|-----------|---------------|----------------------|
| △ | | Quantity | | Cal. No. : | 2005-00A |
| △ | | Unit | 1/1000 mm | Parts: | |
| △ | | Scale | 7:1 | Name: | Indications for Dial |
| △ | | Date | | Drawing No. : | 2005D000 |
| △ | | Drawn | | | |
| △ | | Checked | T. Hiruta | | |
| △ | | Approved | | | |
| Material | | General Tolerances | | | |
| Heat Treatment | | Dimensions | | | |
| Hardness | | Angles | | | |
| Plating | | | | | |

This drawing is provisional and subject to our reconfirmation and/or revision without notice.



00-06-23
3
00-06-23
121
1121
xxx
065-299
065-299
xxx
TIPW

| | | | | | |
|----------------|--|--|--------------------|-----------|------------------------|
| △ | | | Quantity | | Cal. No. : |
| △ | | | Unit | 1/1000 mm | Parts: |
| △ | | | Scale | 20:1 | |
| △ | | | Date | | 065-299 |
| △ | | | Drawn | | |
| △ | | | Checked | T. Hiruta | Name: |
| △ | | | Approved | | SETTING STEM |
| Material | | | | | Drawing No. : 29906000 |
| Heat Treatment | | | General Tolerances | | |
| Hardness | | | Dimensions | | |
| Plating | | | Angles | | |