

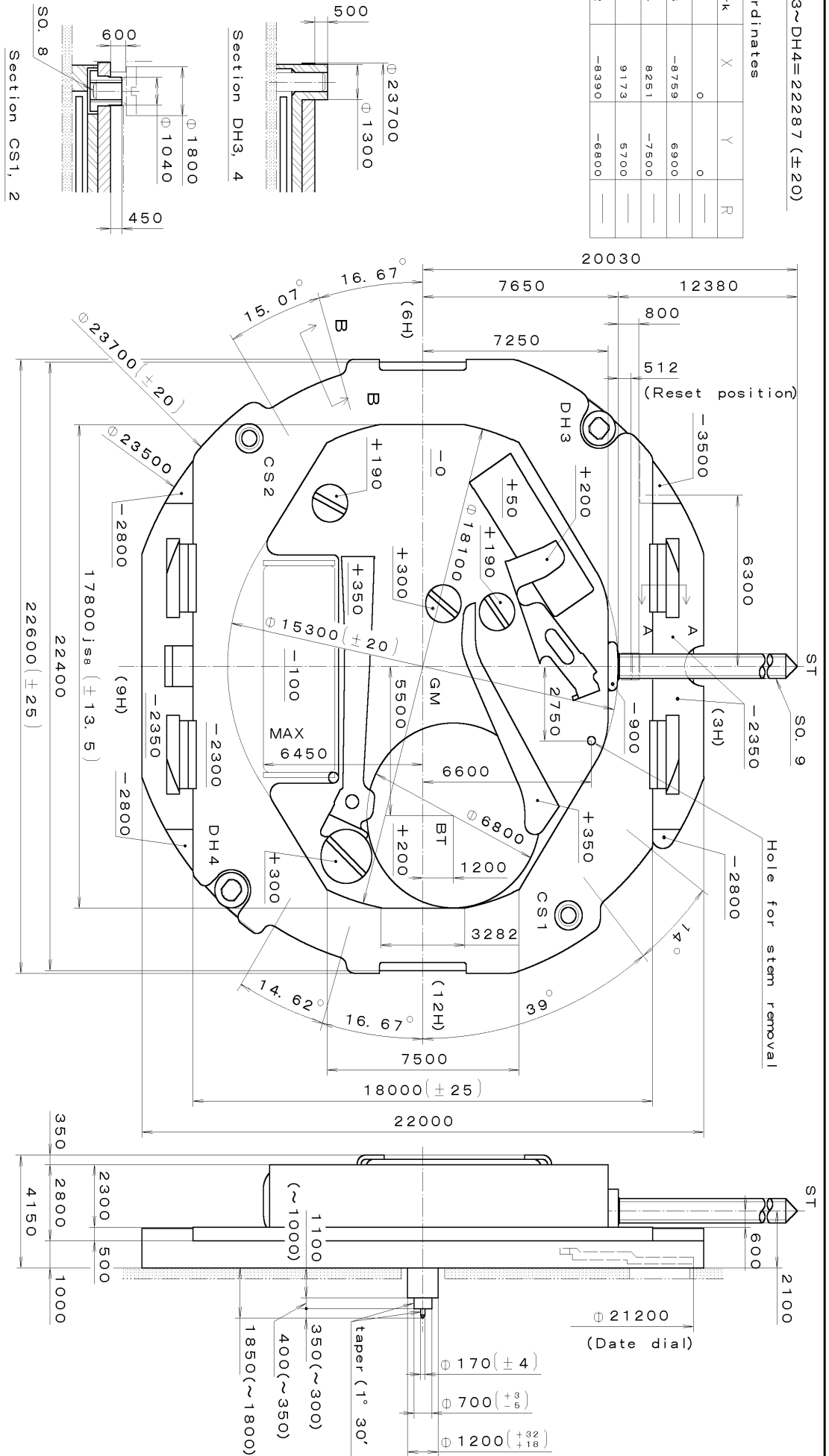
This drawing is provisional and subject to our reconfirmation and/or revision without notice.

xxx T1PW 2115 (01) xxx (2100 1121) 00-08-14

DH3~DH4=22287 (±20)

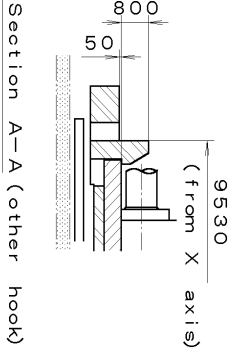
Coordinates			
Mark	X	Y	R
GM	0	0	—
DH3	-8759	6900	—
DH4	8251	-7500	—
CS1	9173	5700	—
CS2	-8390	-6800	—

20030

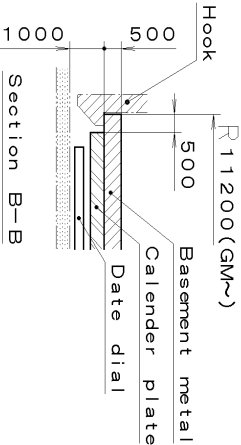


Section DH3, 4

Section CS1, 2



Section B-B



Material	Quantity	Unit	Cal. No. :
Heat Treatment		1/1000 mm	2115
Hardness		Scale	Parts:
Plating		7:1	
		Date	
		Drawn	
		Checked	
		Approved	
			T. Hiruta
			Name:
			Frame for Case
			Drawing No. : 2115C000

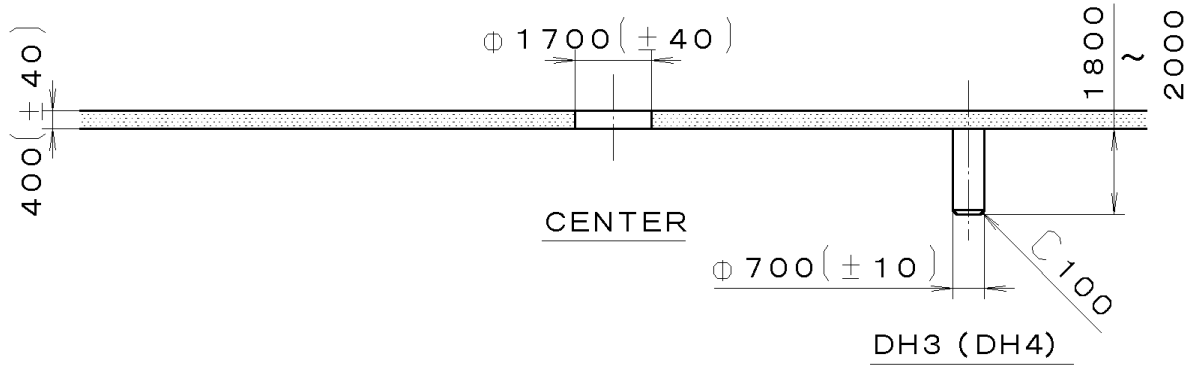
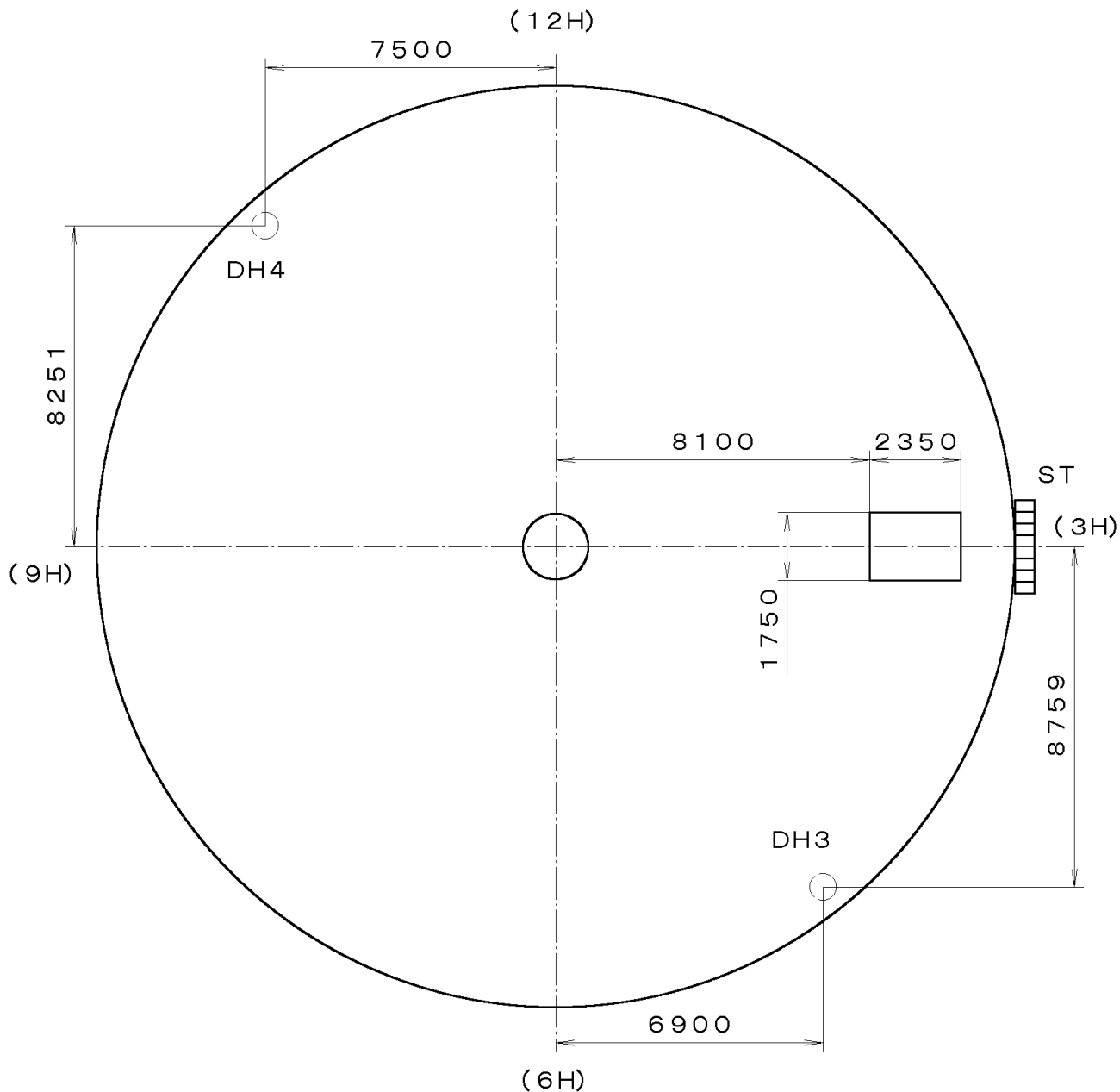
General Tolerances

Dimensions

Angles

This drawing is provisional and subject to our reconfirmation and/or revision without notice.

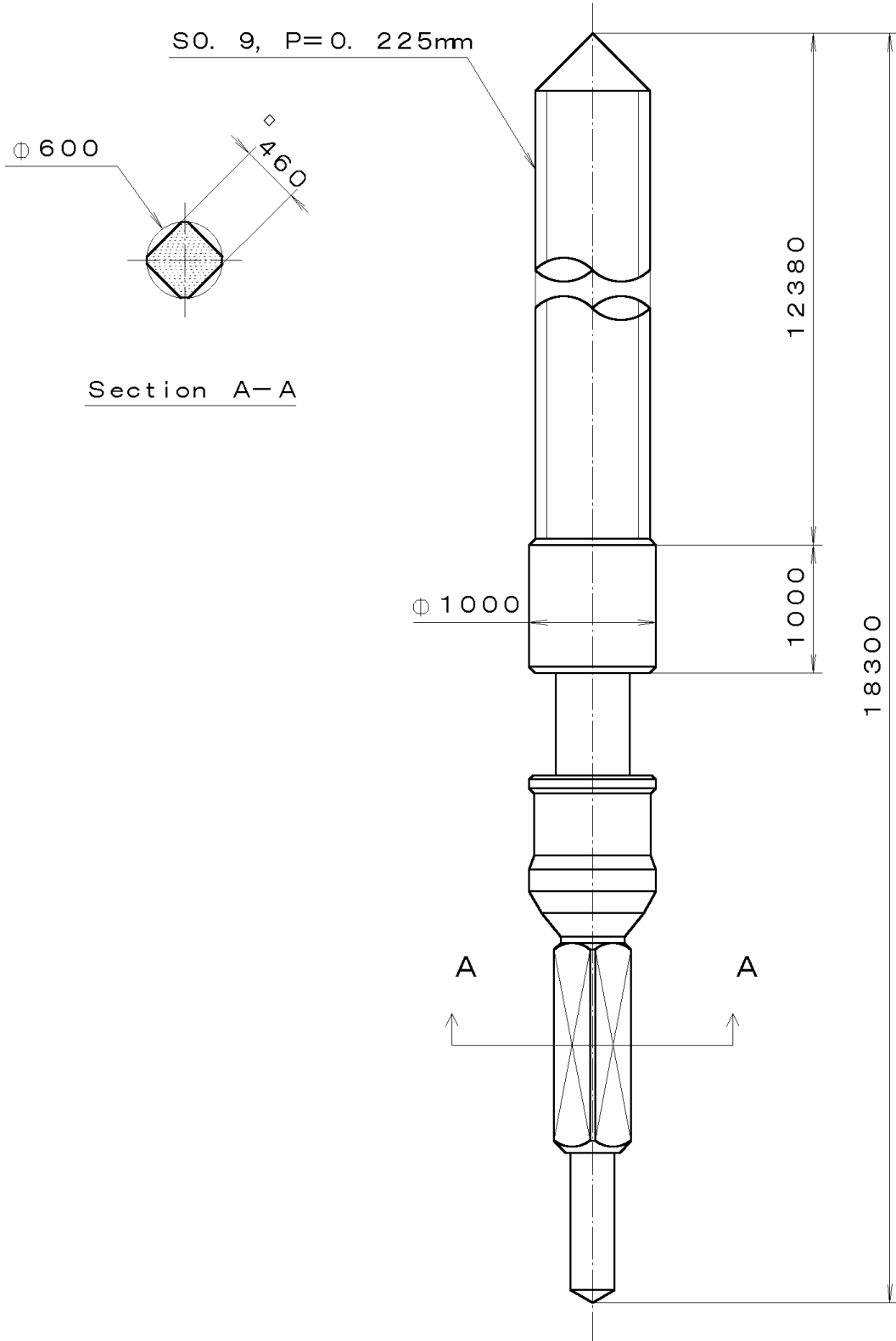
*** T I P W (2100 1121) (01) *** 2115-00A 01-03-14



7		Quantity		Cal. No. : 2115-00A
6		Unit	1/1000 mm	
5		Scale	6 : 1	Parts :
4		Date		
3		Drawn		
2		Checked	T. Hiruta	Name :
1		Approved		Indications for Dial
Material				Drawing No. : 2115D000
Heat Treatment		General Tolerances		
Hardness		Dimensions		
Plating		Angles		

This drawing is provisional and subject to our reconfirmation and/or revision without notice.

*** T I P W (01) *** (2100 1121) 00-06-23



7			Quantity		Ca l. No. :
6			Unit	1/1000 mm	
5			Scale	20:1	Parts:
4			Date		065-299
3			Drawn		
2			Checked	T. Hiruta	Name:
1			Approved		SETTING STEM
Material					Drawing No. : 2990S000
Heat Treatment			General Tolerances		
Hardness			Dimensions		
Plating			Angles		