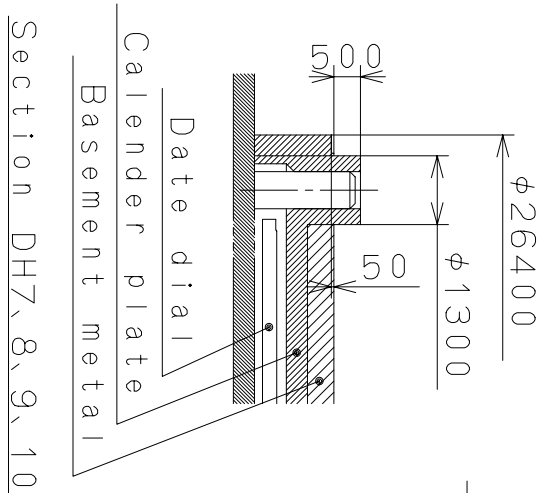
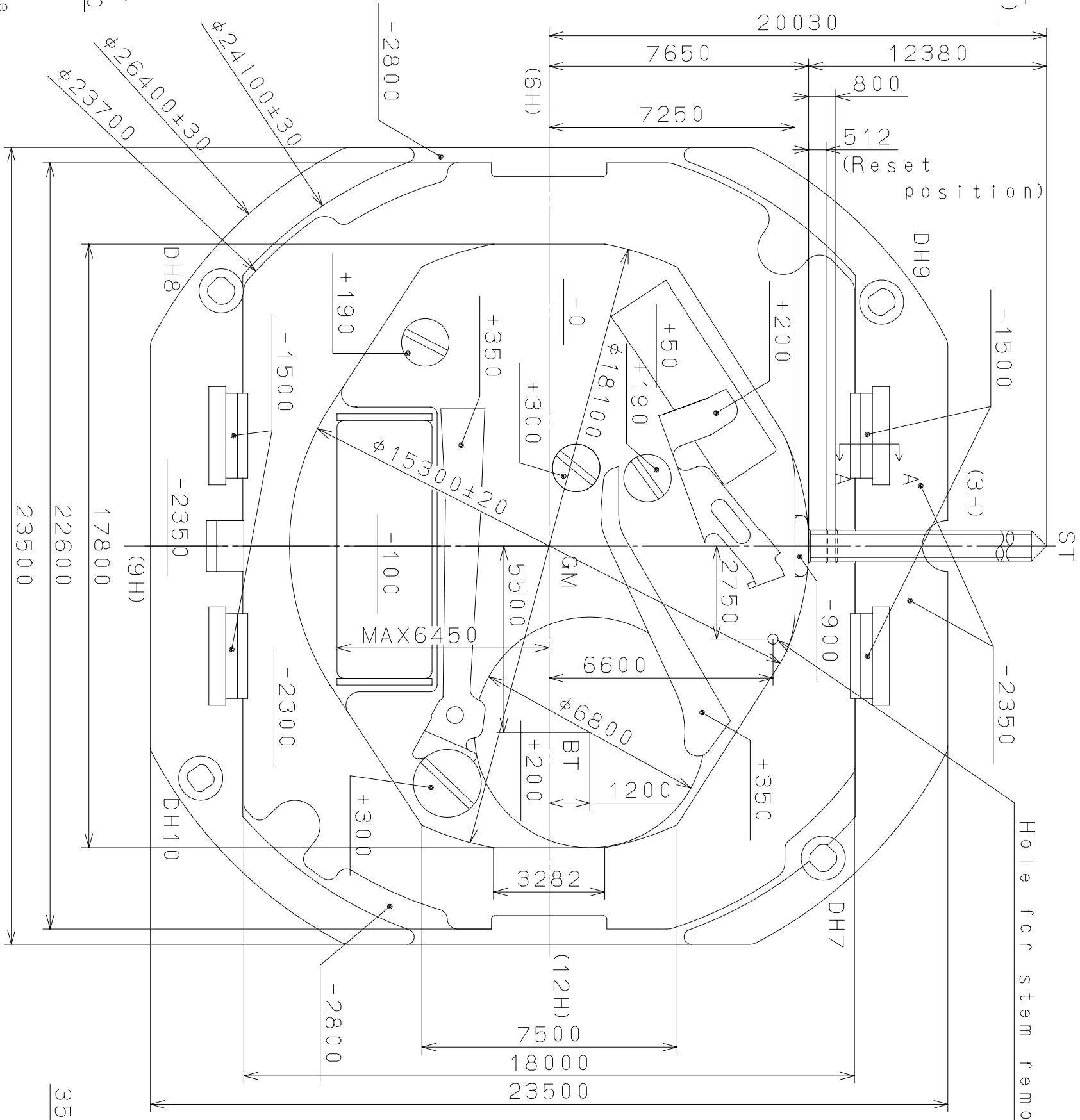


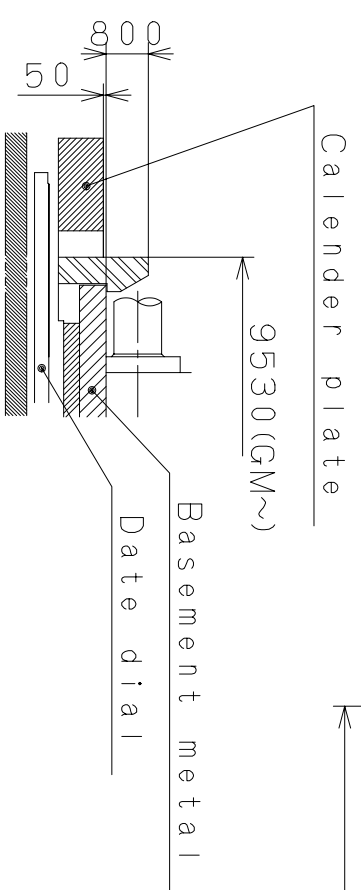
Coordinates

記号	X	Y
GM	0	0
DH7	9207	8080
DH8	-7522	-9668
DH9	-7193	9800
DH10	6848	-10269

DH7~DH8=24390 (±20)  
DH9~DH10=24493 (±20)



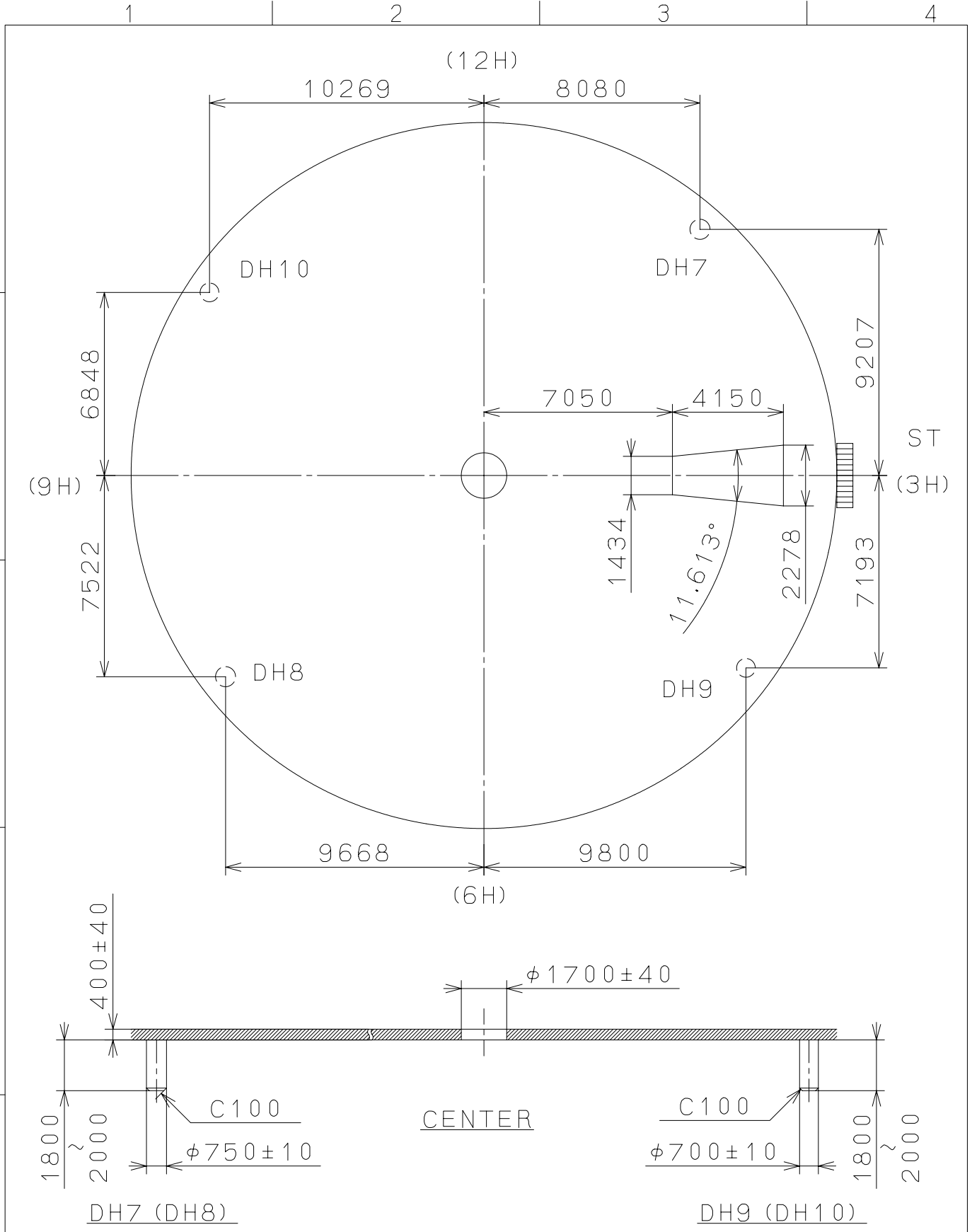
Section DH7, 8, 9, 10



Section A-A (other hook)

△	Quantity	Cal No.: 2353
△	Unit	1 / 1000 mm
△	Scale	7 / 1
△	Date	Name
△	Drawn	M. Fukuda
△	Description	Frame for Case
△	Appr. Checked	Drawing No.: 2353C000
△	Alterations	
△	Material	General Tolerances
△	Heat Treatment	Dimensions
△	Hardness	Angles
△	Plating	

This drawing is provisional and subject to our reconfirmation and/or revision without notice.



△			Quantity			Cal.NO.:2353-00A
△			Unit	1 / 1000 mm		
△			Scale	5 / 1		Parts No.:
△				Date	Name	
△			Drawn			
Mark	Date	Description	Appr.	Checked	M.Fukuda	Name:
Alterations			Approved			Indications for Dial
Material					Drawing No.:2353D000	
Heat Treatment	General Tolerances					
Hardness	Dimensions					
Plating	Angles					