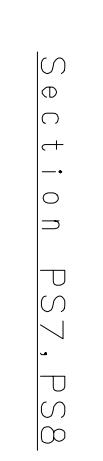
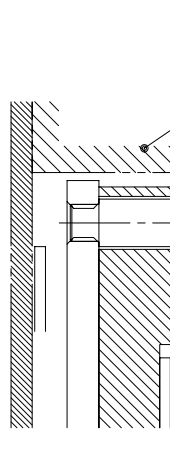
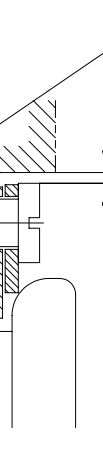
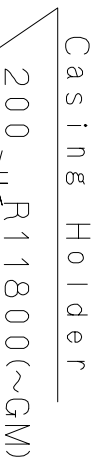
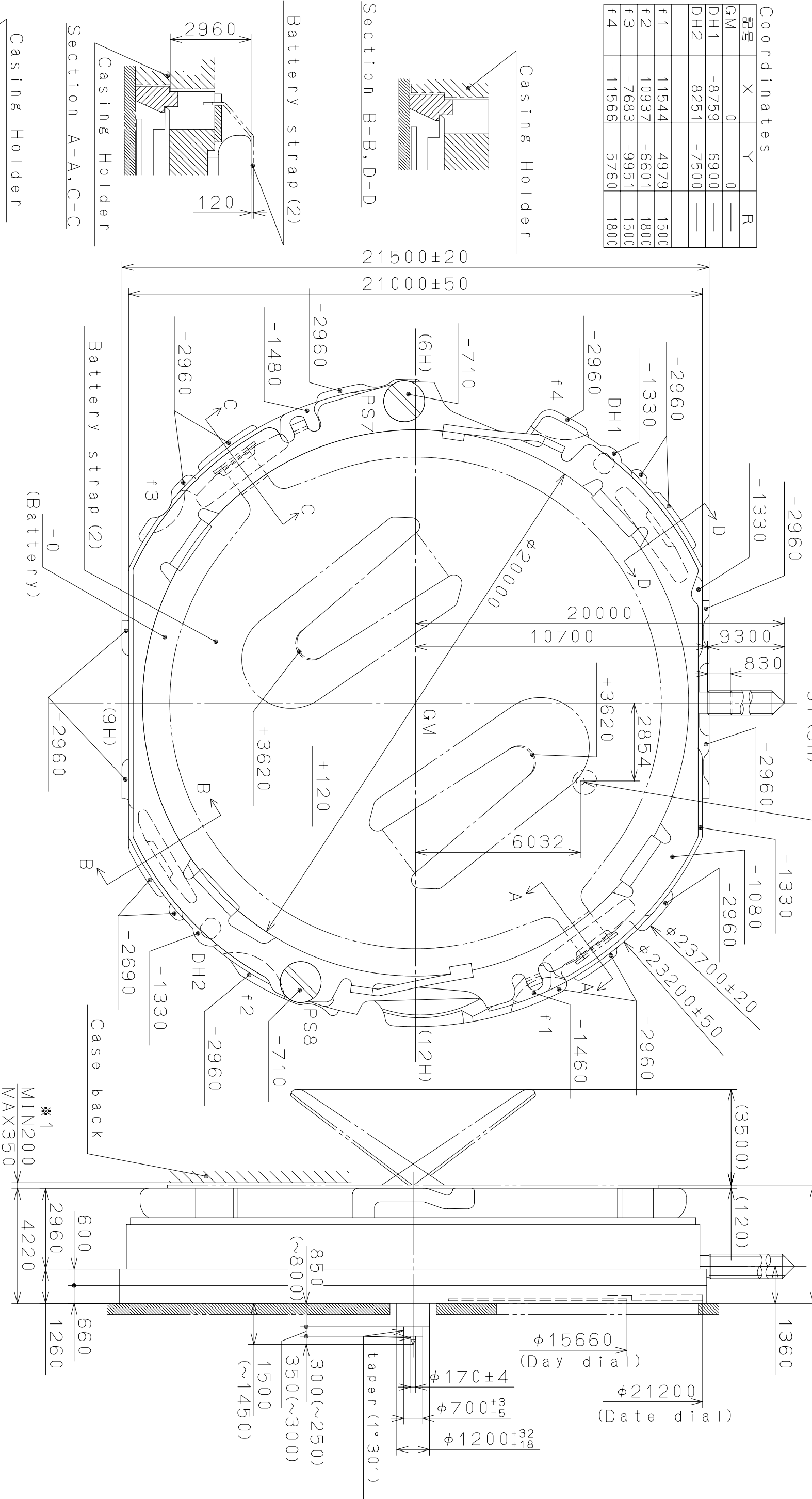


Coordinates

記号	X	Y	R
GM	0	0	—
DH1	-8759	6900	—
DH2	8251	-7500	—
f1	11544	4979	1500
f2	10937	-6601	1800
f3	-7683	-9951	1500
f4	-11566	5760	1800

DH1~DH2=22287±20
 *1: 400~1000=Use of Battery strap (2)



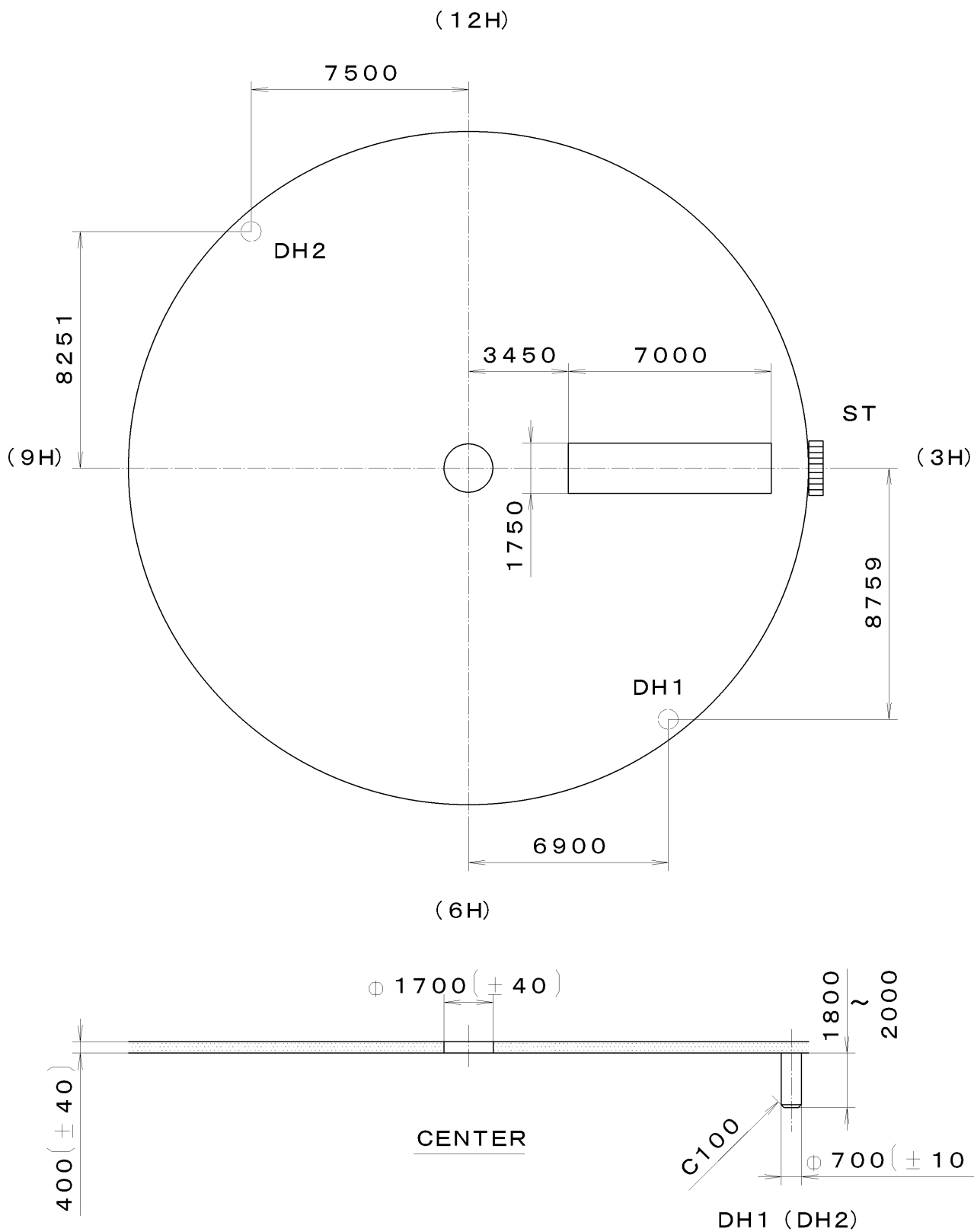
Quantity	Unit	Cal No.:
1	1/1000mm	2S65
7	7/1	Parts No.:
Date		Name
Mark Date		M. Fukuda
Description		Parts Name:
Alterations		Frame for Case
Material		Drawings No.: 2S65C000
Heat Treatment		
Hardness		
Plating		

*1
 MIN200
 MAX350

General Tolerances
Dimensions
Angles

This drawing is provisional and subject to our reconfirmation and/or revision without notice.

*** T I P W 2S65-00A (01) *** (2100 1121) 04-03-10



7			Quantity		Cal. No. :	2S65-00A
6			Unit	1/1000 mm	Parts:	
5			Scale	5:1	Name:	Indications for Dial
4			Date		Drawing No. :	
3			Drawn			
2			Checked	M. Fukuda		
1			Approved			
Material			General Tolerances			
Heat Treatment			Dimensions			
Hardness			Angles			
Plating						