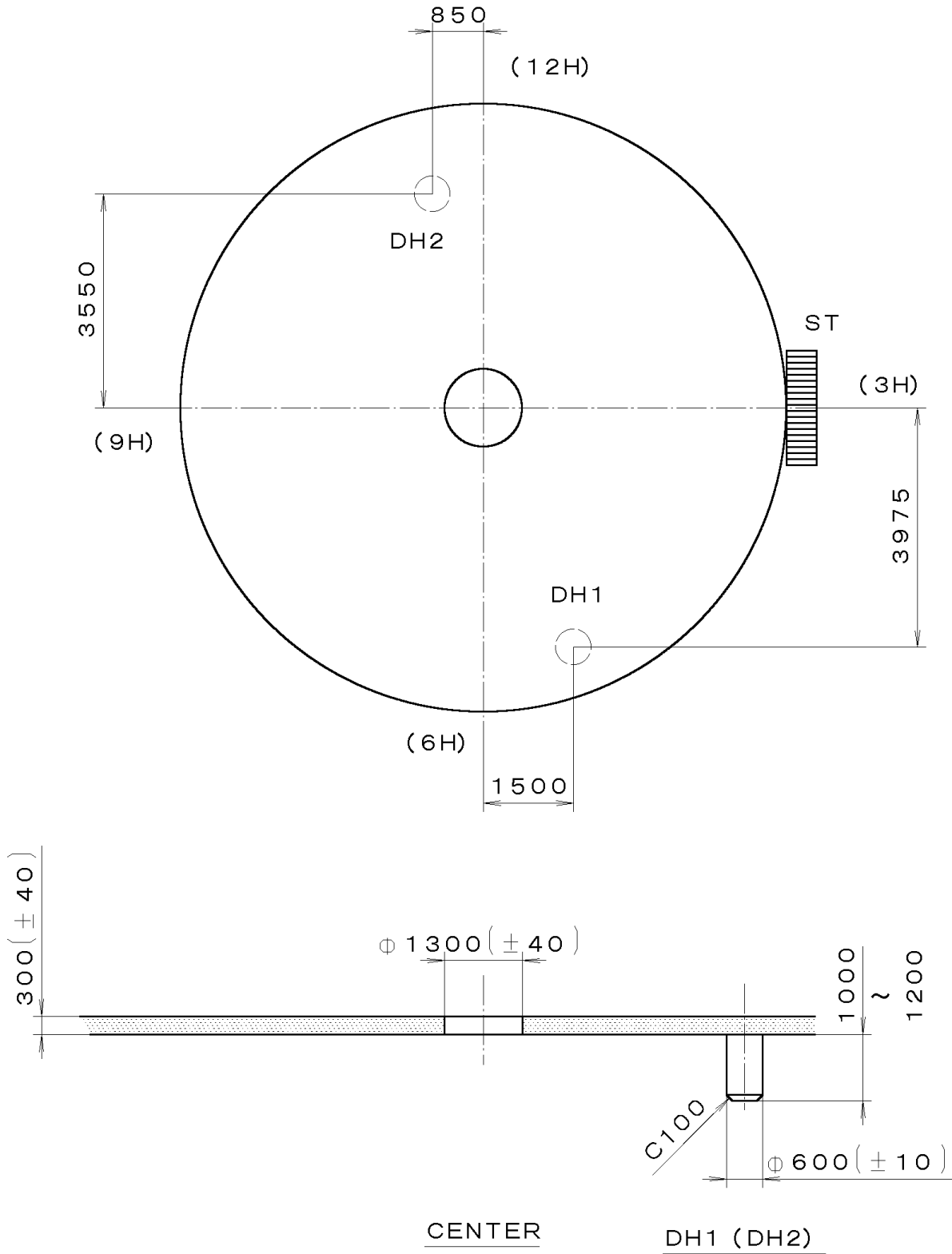




This drawing is provisional and subject to our reconfirmation and/or revision without notice.

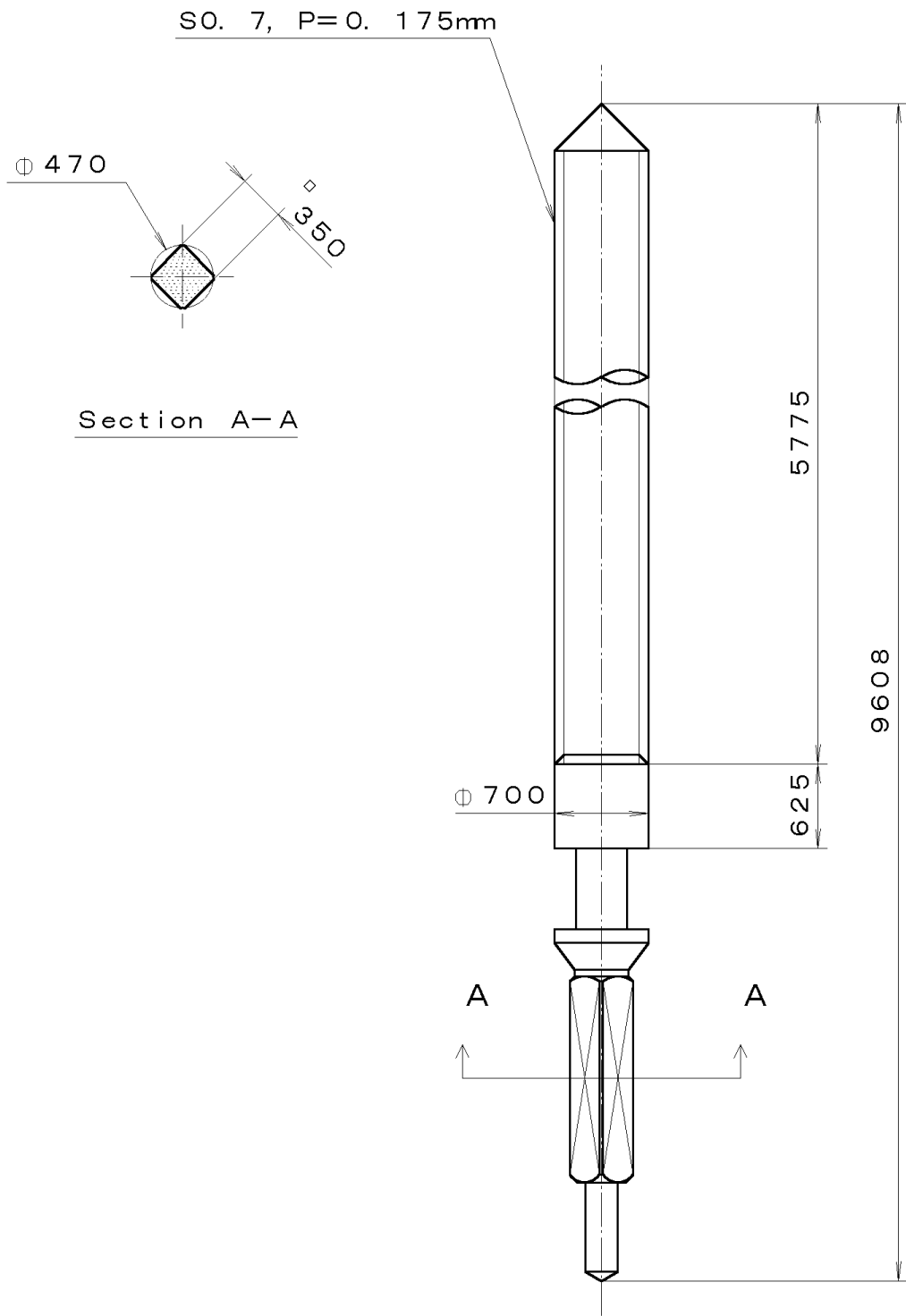
\*\*\* T I P W (01) \*\*\* (2100 1121) 00-06-14



7		Quantity		Cal. No. :	4S20-02A
6		Unit	1/1000 mm	Parts:	
5		Scale	10:1	Name:	Indications for Dial
4		Date		Drawing No. : 4S20D000	
3		Drawn			
2		Checked	T. Hiruta		
1		Approved			
Material				General Tolerances	
Heat Treatment				Dimensions	
Hardness				Angles	
Plating					

This drawing is provisional and subject to our reconfirmation and/or revision without notice.

065-398 (01) \*\*\* (2100 1121) 00-06-22



7			Quantity		Cal. No. :
6			Unit	1/1000 mm	
5			Scale	20:1	Parts:
4			Date		065-398
3			Drawn		
2			Checked	T. Hiruta	Name:
1			Approved		SETTING STEM
Material					Drawing No. : 3980S000
Heat Treatment			General Tolerances		
Hardness			Dimensions		
Plating			Angles		