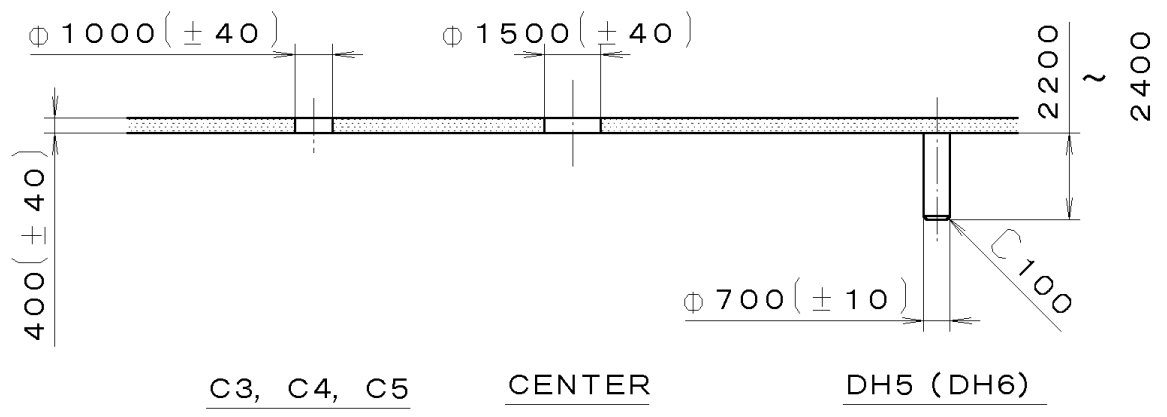
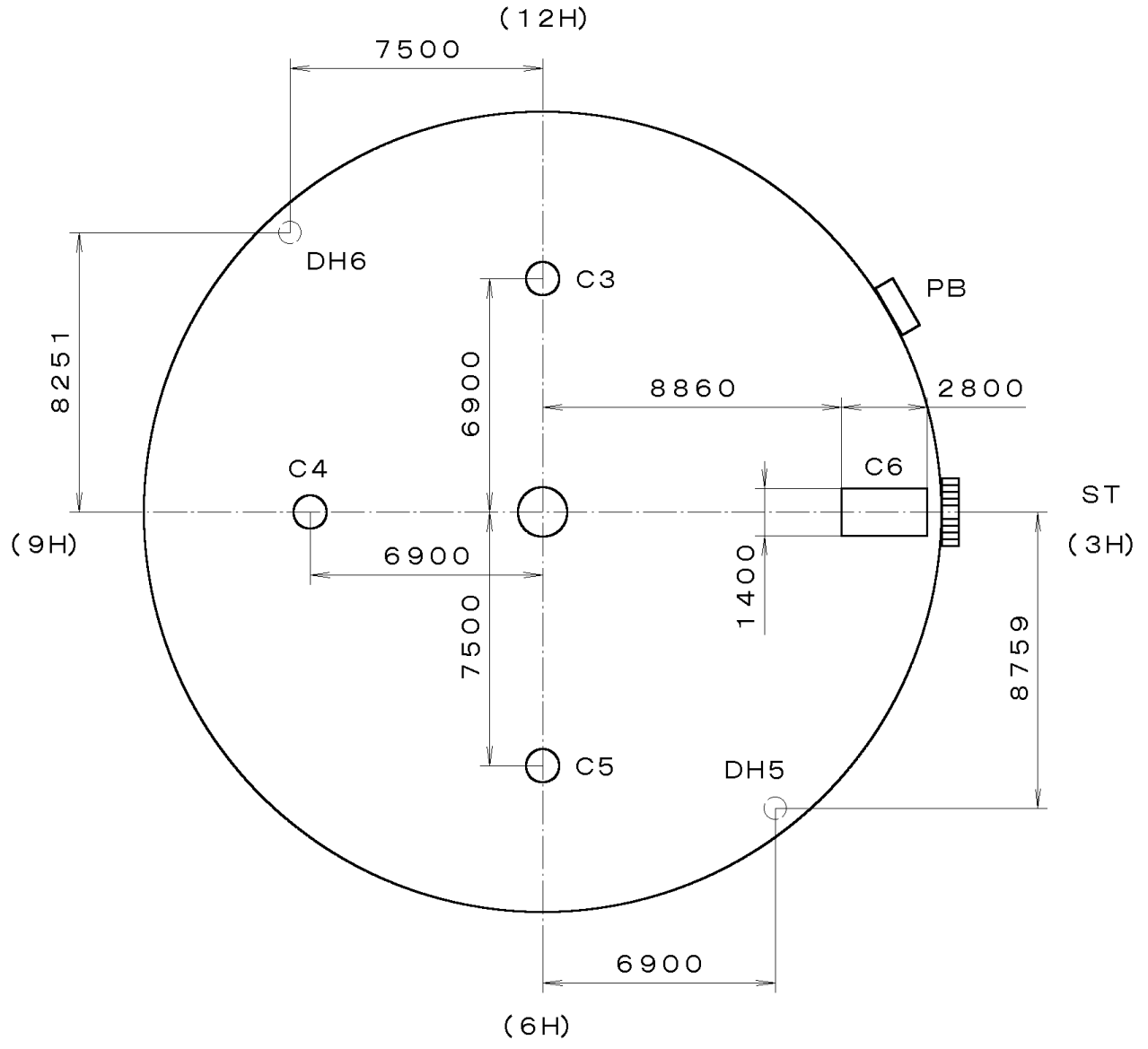


This drawing is provisional and subject to our reconfirmation and/or revision without notice.



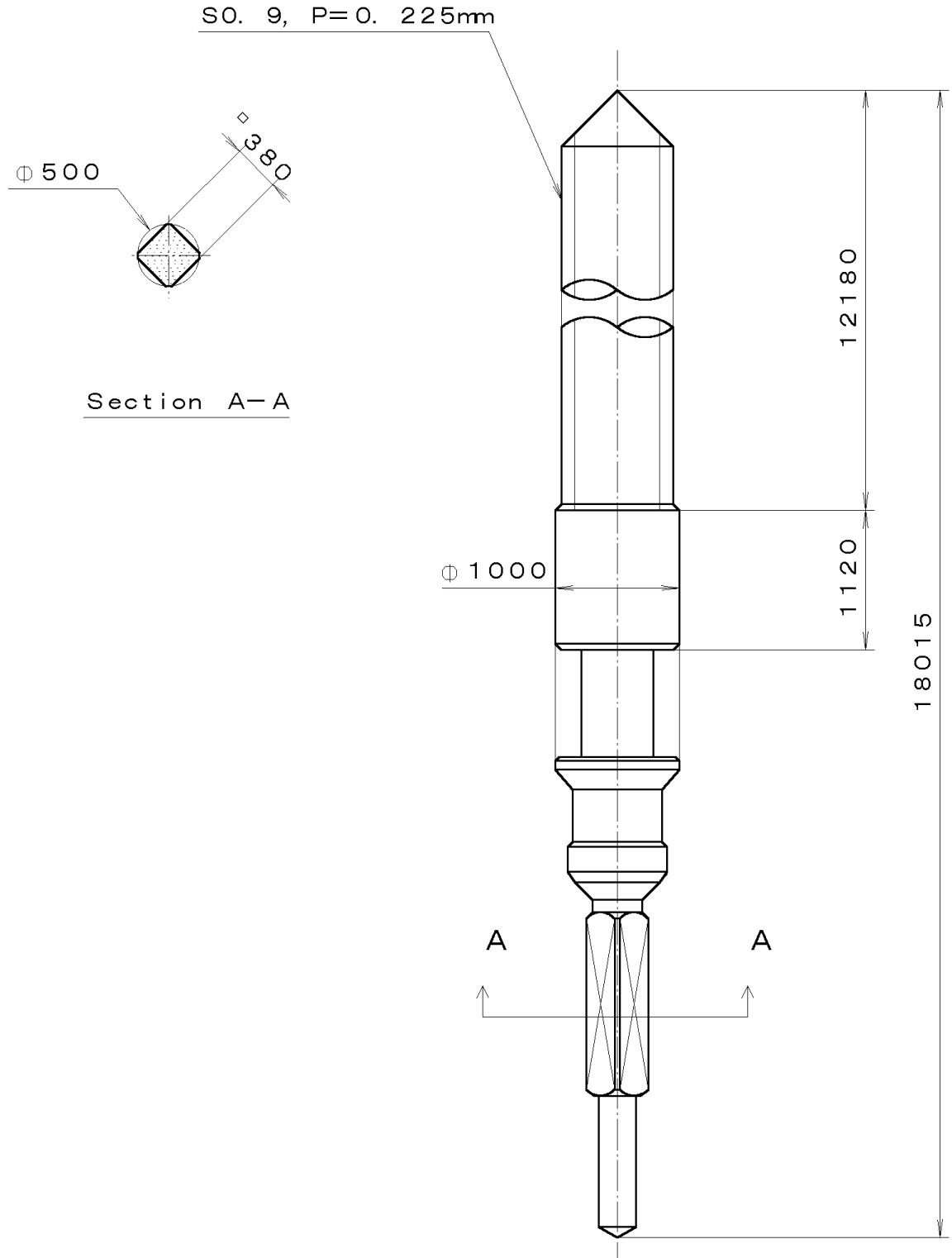
C3, C4, C5 CENTER DH5 (DH6)

*** T I P W 6P89-00A (01) *** (2100 1121)	7	Quantity		Cal. No. : 6P89-00A
	6	Unit	1/1000 mm	
	5	Scale	5:1	Parts:
	4	Date		
	3	Drawn		
2	Checked	T. Hiruta	Name:	
1	Approved		Indications for Dial	
Material				Drawing No. : 6P89D000
Heat Treatment		General Tolerances		
Hardness		Dimensions		
Plating		Angles		

00-07-24

This drawing is provisional and subject to our reconfirmation and/or revision without notice.

065-379 (01) *** (2100 1121) 00-06-23



7		Quantity		Cal. No. :
6		Unit	1/1000 mm	Parts:
5		Scale	20:1	
4		Date		
3		Drawn		Name:
2		Checked	T. Hiruta	
1		Approved		SETTING STEM
Material				Drawing No. : 3790S000
Heat Treatment		General Tolerances		
Hardness		Dimensions		
Plating		Angles		