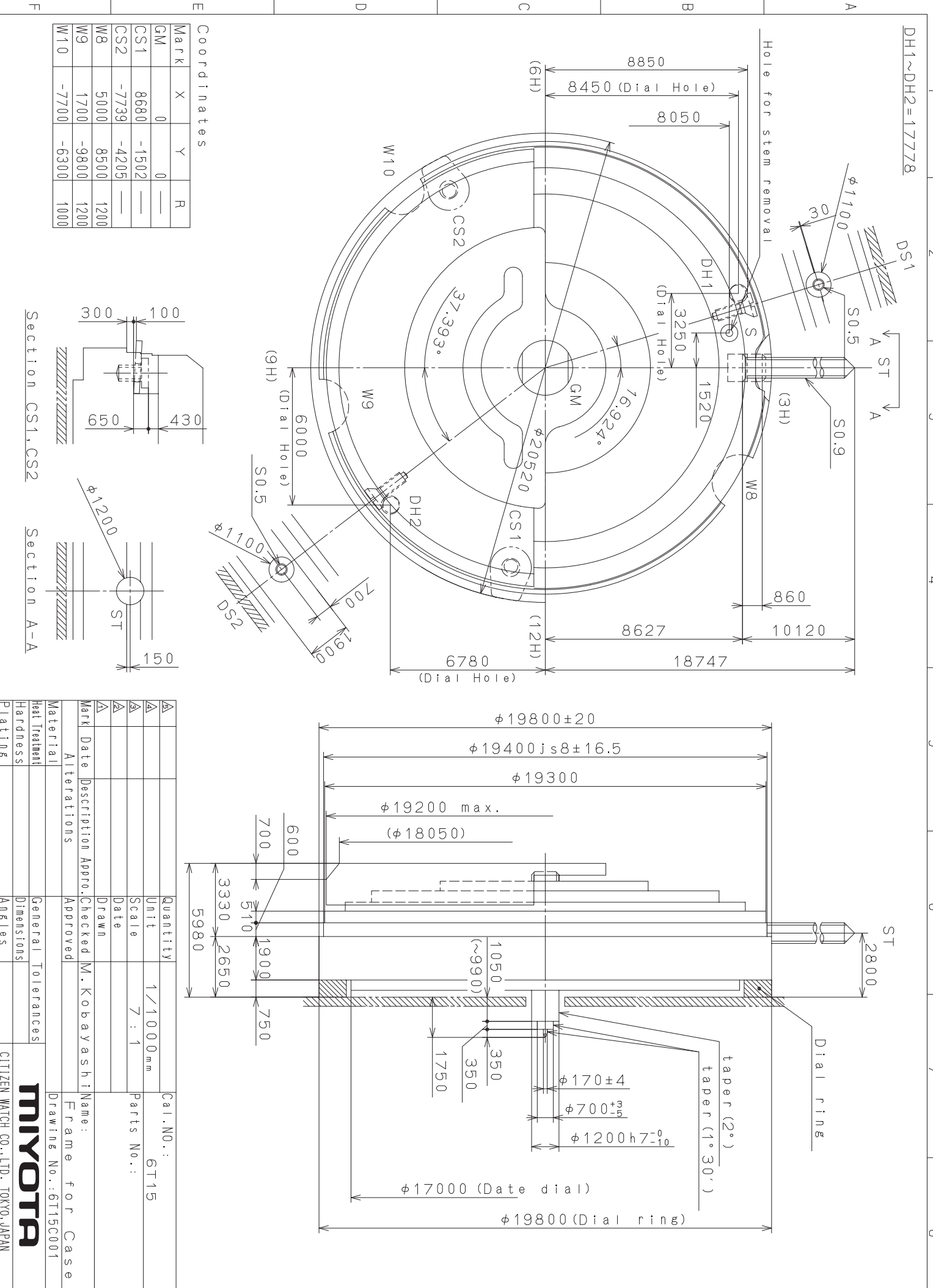


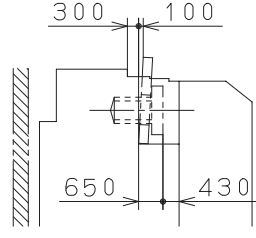
This drawing is provisional and subject to our reconfirmation and/or revision without notice.



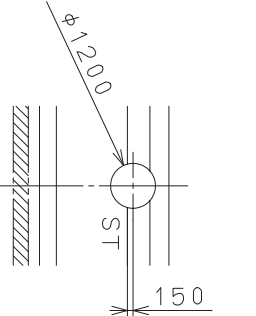
Coordinates

Mark	X	Y	R
GM	0	0	—
CS1	8680	-1502	—
CS2	-7739	-4205	—
W8	5000	8500	1200
W9	1700	-9800	1200
W10	-7700	-6300	1000

Section CS1,CS2



Section A-A



Material	Alterations	Mark	Date	Description	Appr.	Checked	M. Kobayashi	Name:
Material								
Heat Treatment								
Hardness								
Plating								

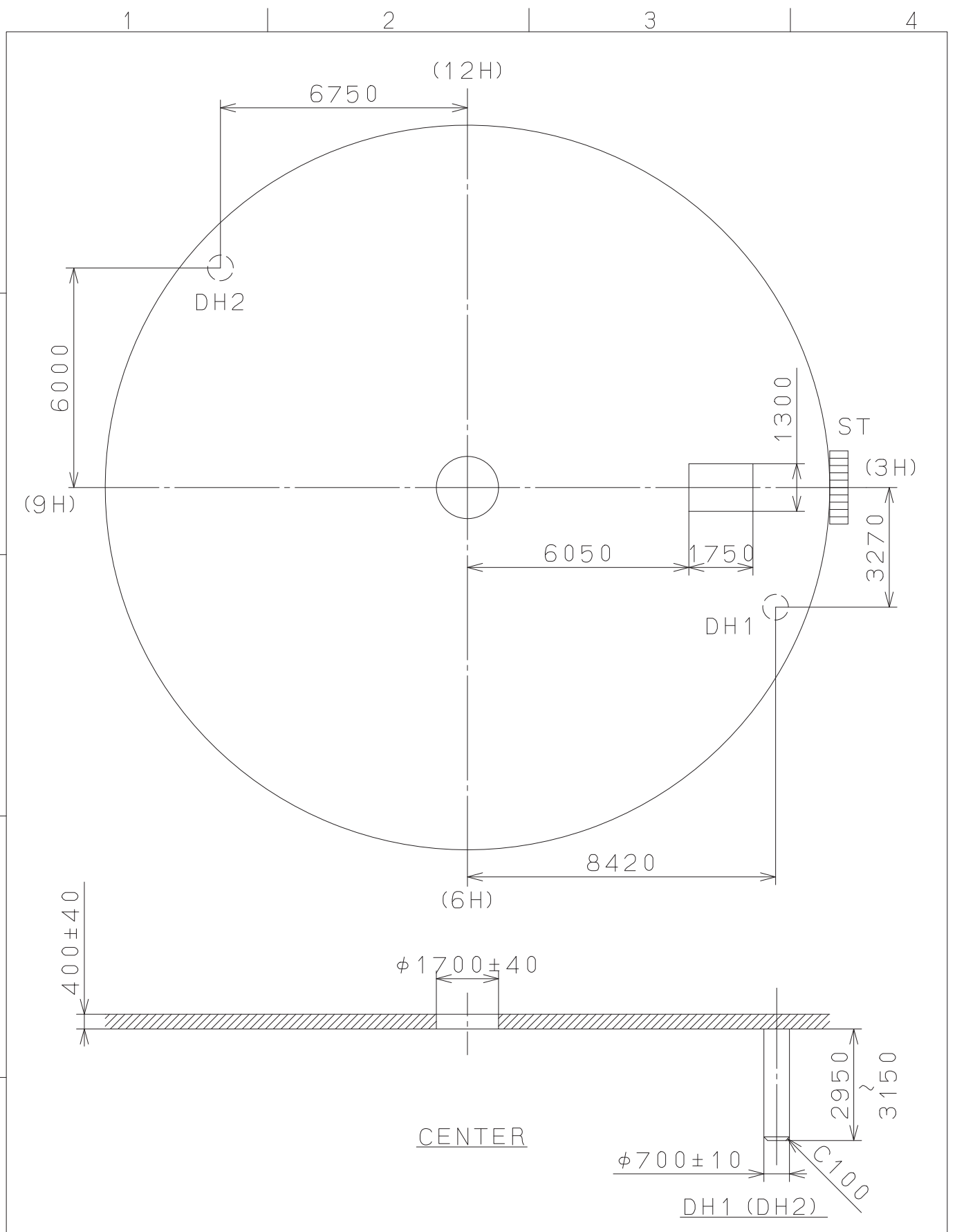
Quantity	Unit	Cal. NO.:
		6T115
Scale		Parts No.:
7 : 1		
Date		
Drawn		
Approved		
General Tolerances		
Dimensions		
Angles		

MIYOTA

Frame for Case
Drawing No.: 6T115C001

CITIZEN WATCH CO., LTD. TOKYO, JAPAN

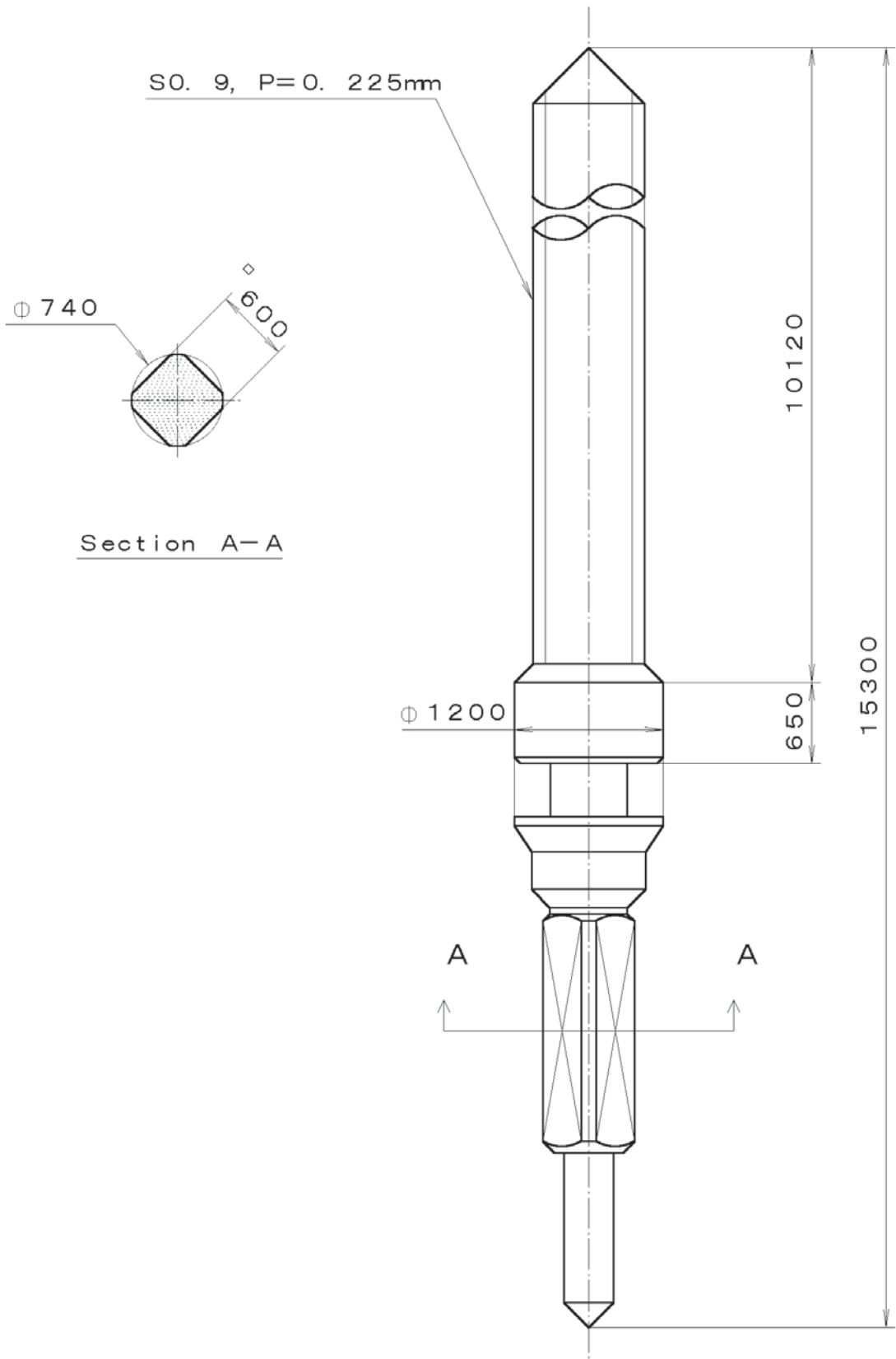
This drawing is provisional and subject to our reconfirmation and/or revision without notice.



⑤			Quantity		Cal. NO.:
④			Unit	1 / 1000 mm	6T15-21A
③			Scale	7 : 1	Parts No.:
②			Date		
①			Drawn		
Mark	Date	Description	Appr.	Checked M. Kobayashi	Name:
Alterations			Approved		Indications for Dial
Material					Drawing No.: 6T15D000
Heat Treatment	General Tolerances				MIYOTA
Hardness	Dimensions				
Plating	Angles				
					CITIZEN WATCH CO., LTD. TOKYO, JAPAN

This drawing is provisional and subject to our reconfirmation and/or revision without notice.

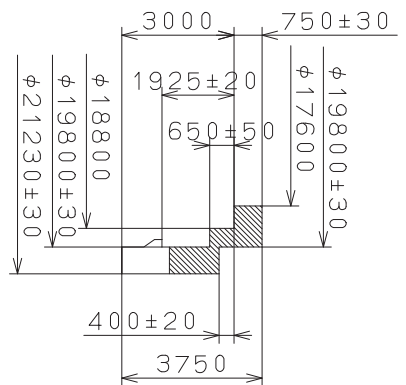
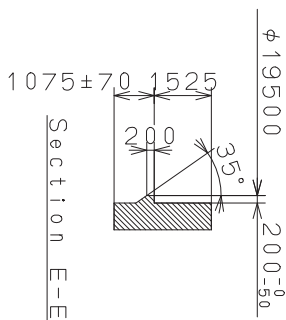
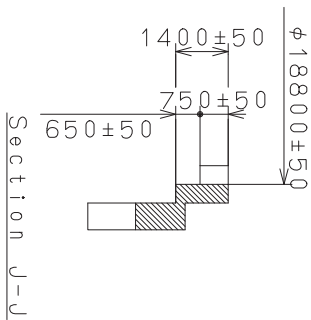
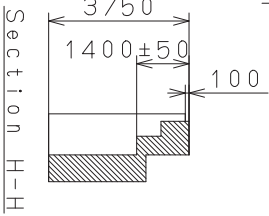
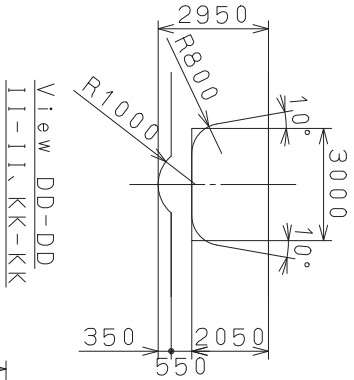
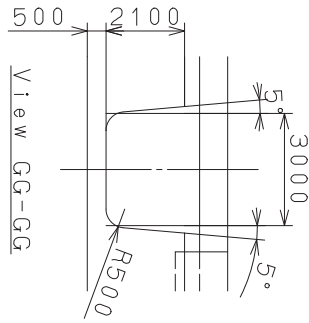
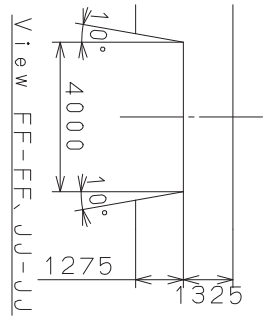
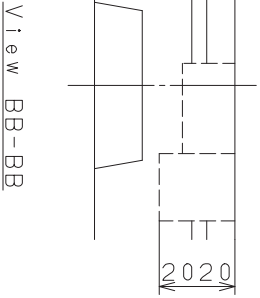
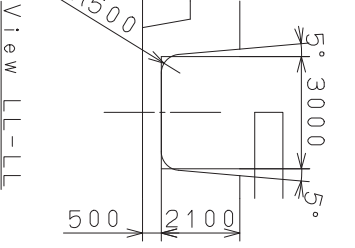
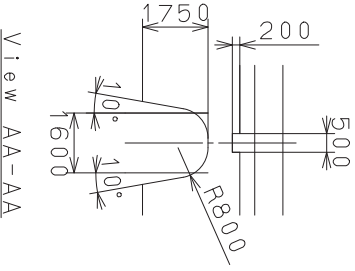
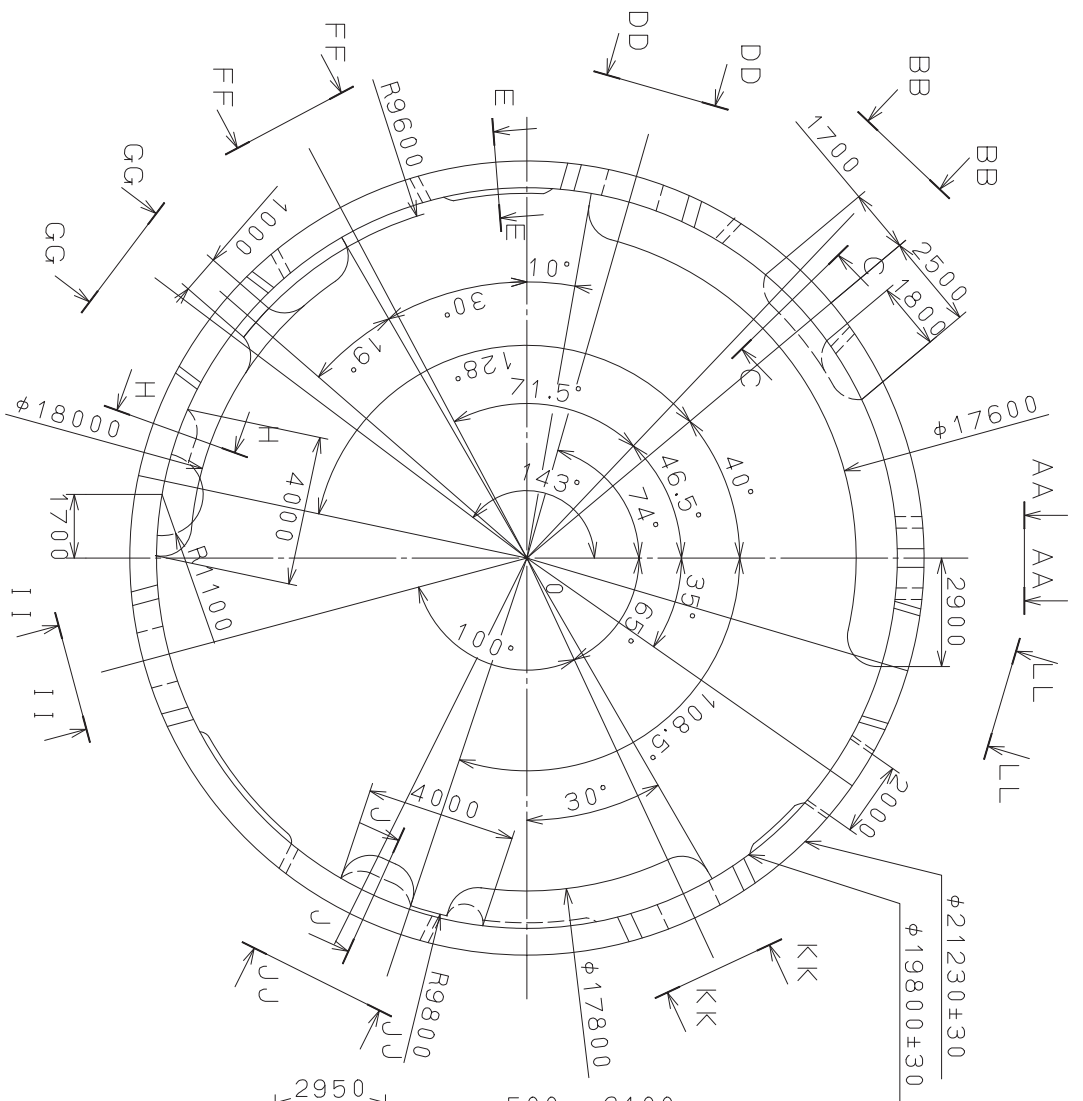
065-117 (01) *** (2100 1121) 00-09-18



7			Quantity		Cal. No. :
6			Unit	1/1000 mm	
5			Scale	20:1	Parts:
4			Date		065-117
3			Drawn		
2			Checked	T. Hiruta	Name:
1			Approved		SETTING STEM
Material					Drawing No. : 1170S000
Heat Treatment			General Tolerances		CITIZEN WATCH CO., LTD. TOKYO, JAPAN
Hardness			Dimensions		
Plating			Angles		

This drawing is provisional and subject to our reconfirmation and/or revision without notice.

Not indication of corner R800



△	Quantity	Cal. NO.:
△	Unit	1/1000 mm
△	Scale	7:1
△	Date	Parts No.:
△	Drawn	500-6621
Mark Date Description Appr. Checked E. Murakami Name:		Casing Holder
Alterations Approved		Drawing No.: 6650E000
Material		General Tolerances
Heat Treatment		Dimensions
Hardness		Angles
Plating		CITIZEN WATCH CO., LTD. TOKYO, JAPAN

MIYOTA