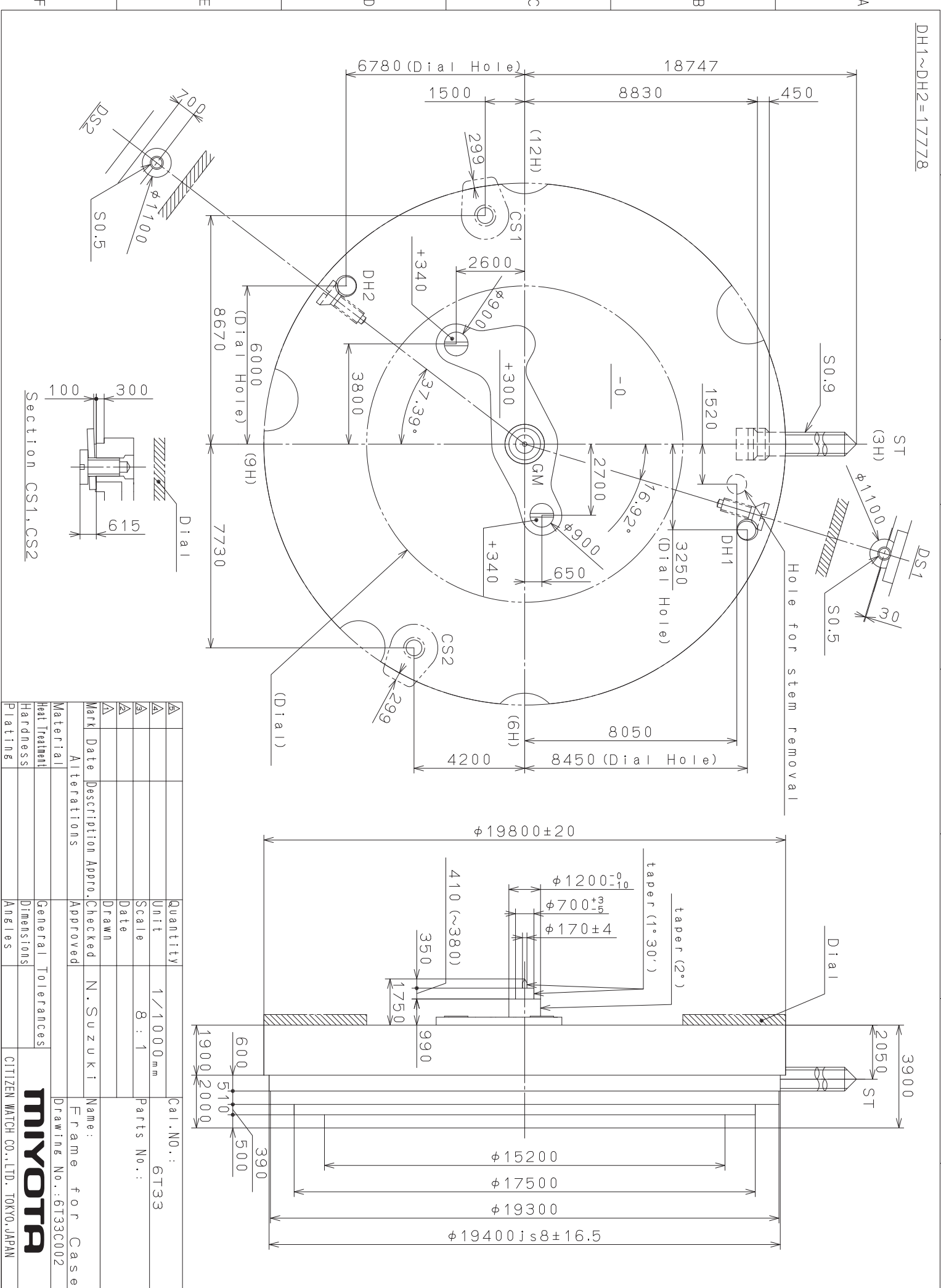


This drawing is provisional and subject to our reconfirmation and/or revision without notice.

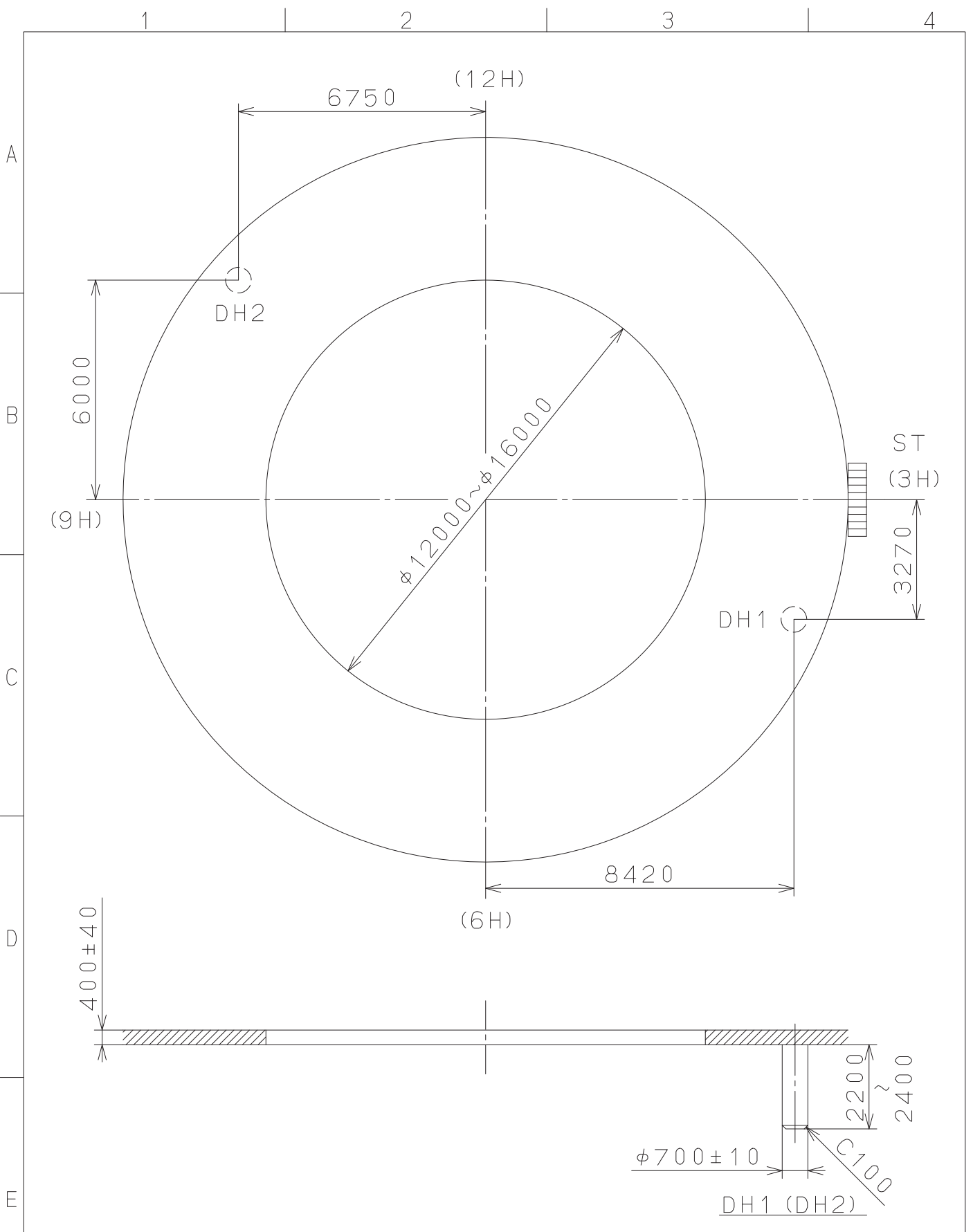


Material	Alterations	Mark	Date	Description	Appr.	Checked	N. Suzuki	Name:	Frame for Case
Heat Treatment		Drawn							Drawing No.: 6T33C002
Hardness		Approved							
Plating		General Tolerances							
		Dimensions							
		Angles							

Cal. NO.: 6T33  
 Unit: 1/1000 mm  
 Scale: 8:1  
 Parts No.:  
 Name: Frame for Case  
 Drawing No.: 6T33C002  
**MIYOTA**  
 CITIZEN WATCH CO., LTD. TOKYO, JAPAN

2009/01/26 (09:00:35)

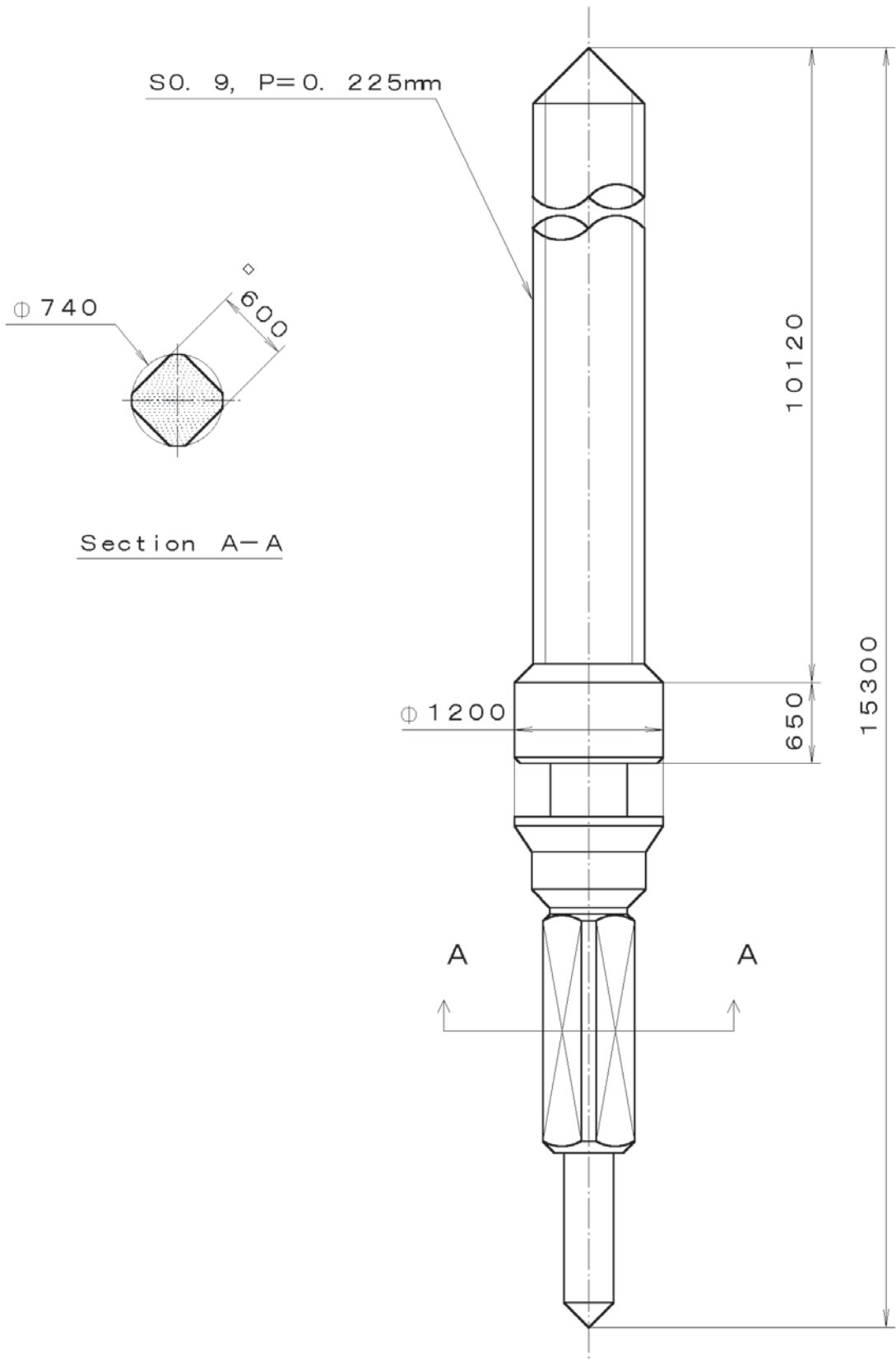
This drawing is provisional and subject to our reconfirmation and/or revision without notice.



△5			Quantity		Cal.NO.:
△4			Unit	1 / 1000 mm	6T33-17A
△3			Scale	7 : 1	Parts No.:
△2			Date		
△1			Drawn		
Mark	Date	Description	Appr.	Checked	Name:
		Alterations	Approved	N. Suzuki	Indications for Dial
Material					Drawing No.: 6T33D000
Heat Treatment			General Tolerances	<b>MIYOTA</b> CITIZEN WATCH CO., LTD. TOKYO, JAPAN	
Hardness			Dimensions		
Plating			Angles		

This drawing is provisional and subject to our reconfirmation and/or revision without notice.

065-117 (01) \*\*\* (2100 1121) 00-09-18



7			Quantity		Cal. No. :
6			Unit	1/1000 mm	
5			Scale	20:1	Parts:
4			Date		065-117
3			Drawn		Name:
2			Checked	T. Hiruta	SETTING STEM
1			Approved		Drawing No. : 1170S000
Material					
Heat Treatment				General Tolerances	
Hardness		Dimensions		<b>CITIZEN</b> WATCH CO., LTD. TOKYO, JAPAN	
Plating		Angles			