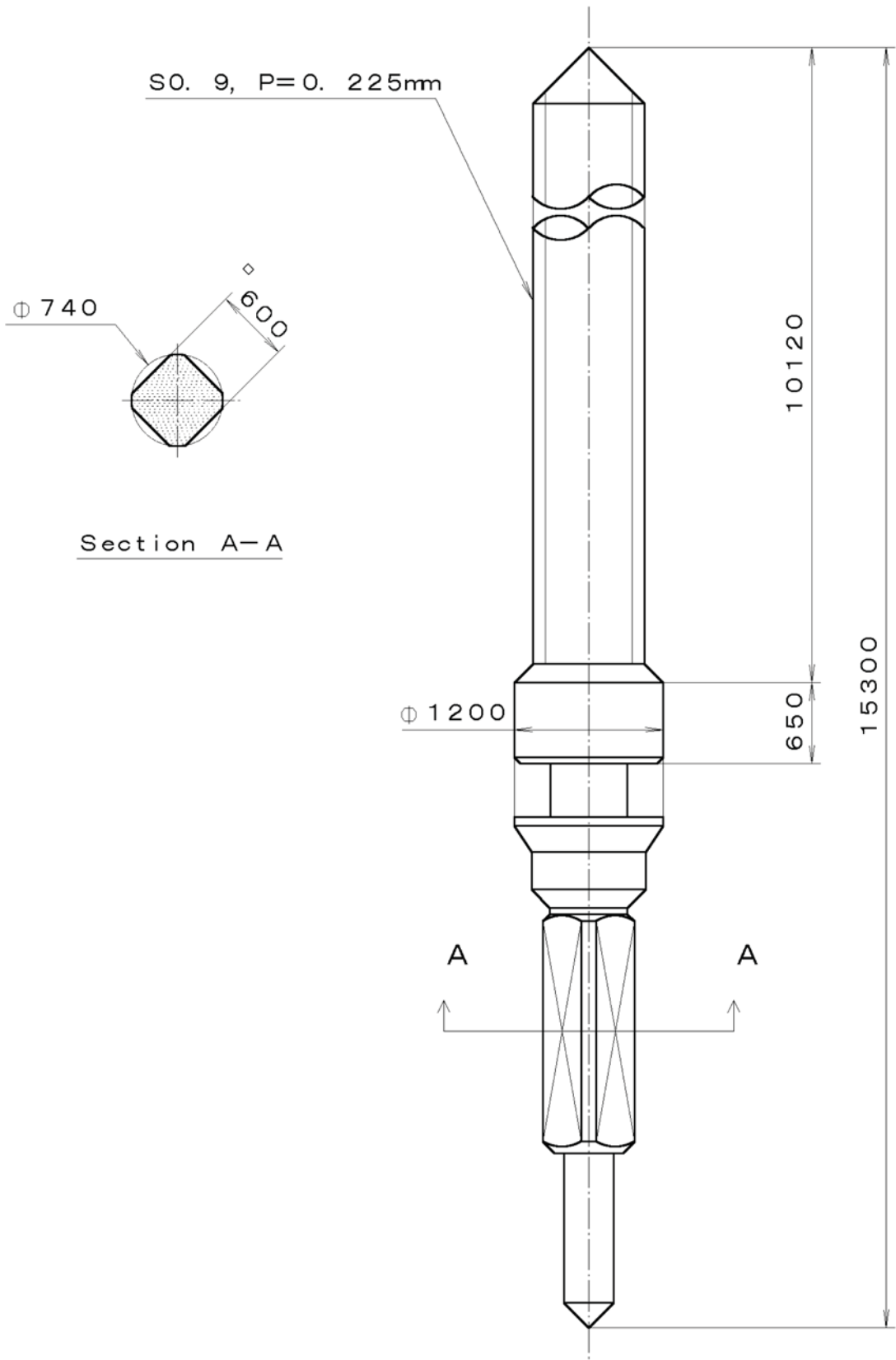




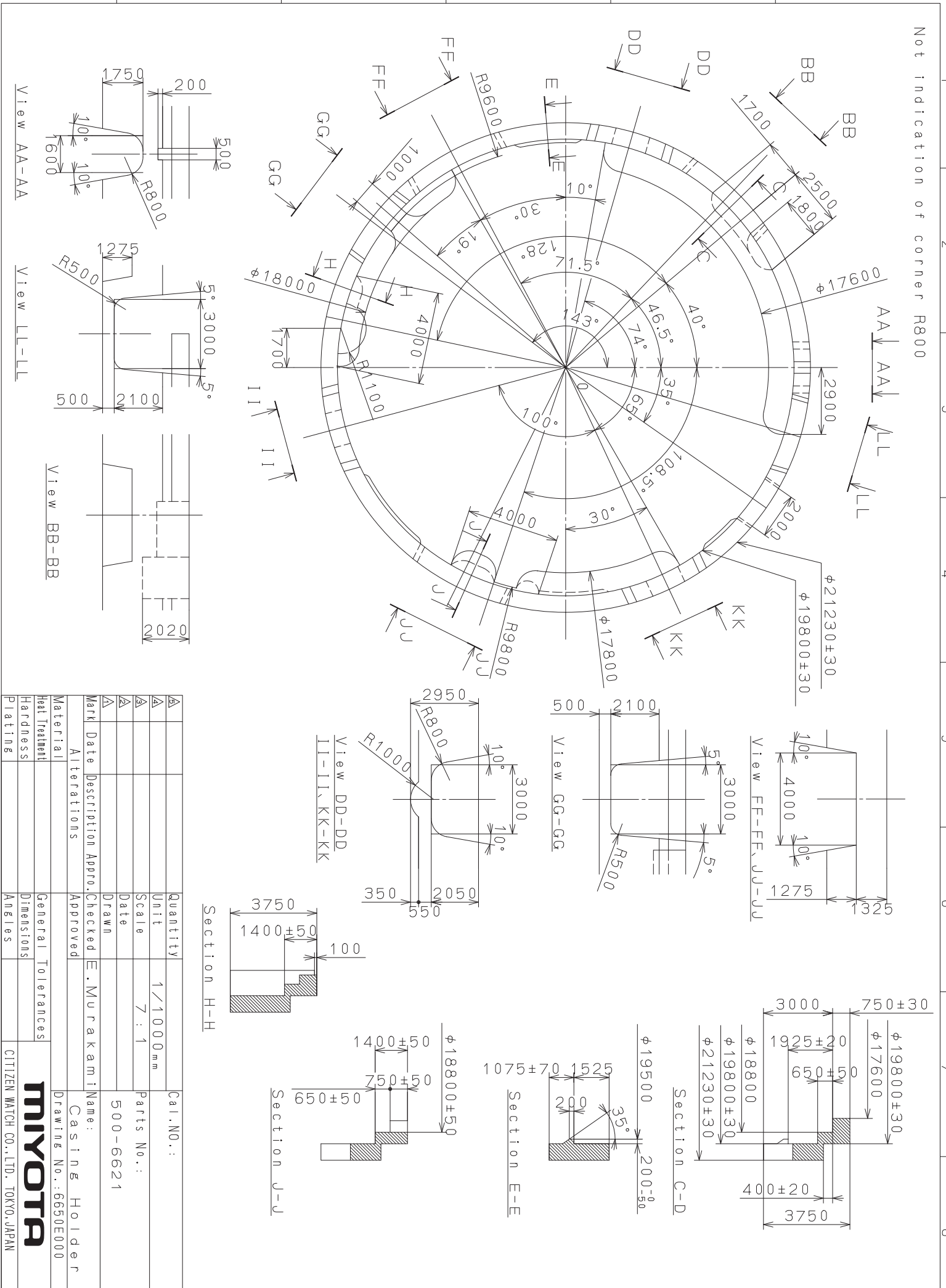


This drawing is provisional and subject to our reconfirmation and/or revision without notice.

xxx T I P W (01) xxx (2100 1121) 00-09-18



7			Quantity		Cal. No. :
6			Unit	1/1000 mm	Parts:
5			Scale	20:1	
4			Date		065-117
3			Drawn		
2			Checked	T. Hiruta	Name:
1			Approved		SETTING STEM
Material					Drawing No. : 1170S000
Heat Treatment			General Tolerances		<b>MIYOTA</b>
Hardness			Dimensions		
Plating			Angles		



Not indication of corner R800

View AA-AA

View LL-LL

View BB-BB

View DD-DD  
II-II, KK-KK

View GG-GG

View FF-FF, JJ-JJ

Section H-H

Section J-J

Section E-E

Section C-D

△	Quantity	Unit	1/1000 mm	Cal. NO.:
△	Scale	Date	7:1	Parts No.:
△	Drawn	Checked	E. Murakami	500-6621
△	Mark	Date		
△	Date	Description	Approved	Casing Holder
△	Alterations	Approved		Drawing No.: 6650E000
△	Material	General Tolerances		<b>MIYOTA</b>
△	Heat Treatment	Dimensions		CITIZEN WATCH CO., LTD. TOKYO, JAPAN
△	Hardness	Angles		
△	Plating			