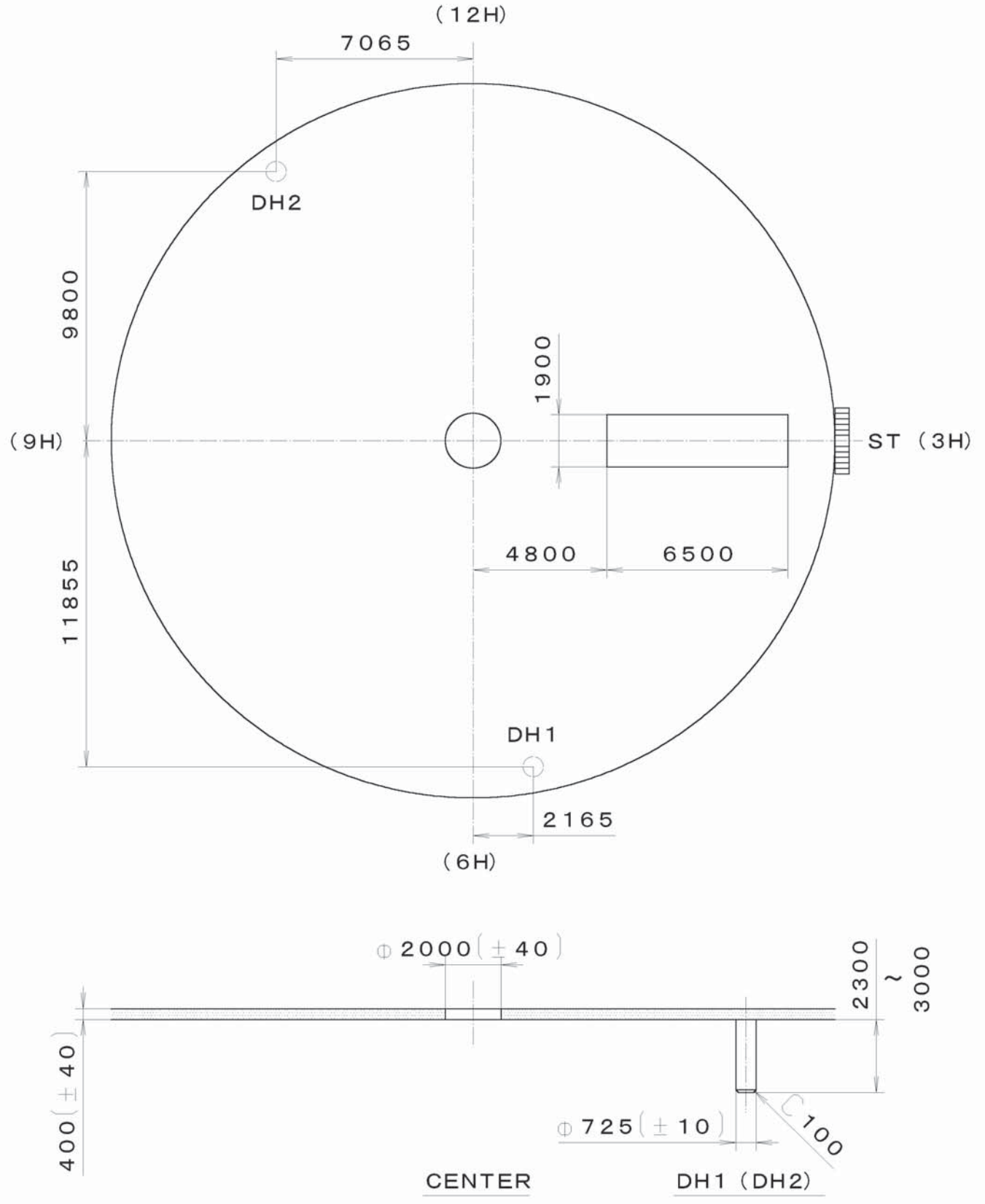


This drawing is provisional and subject to our reconfirmation and/or revision without notice.

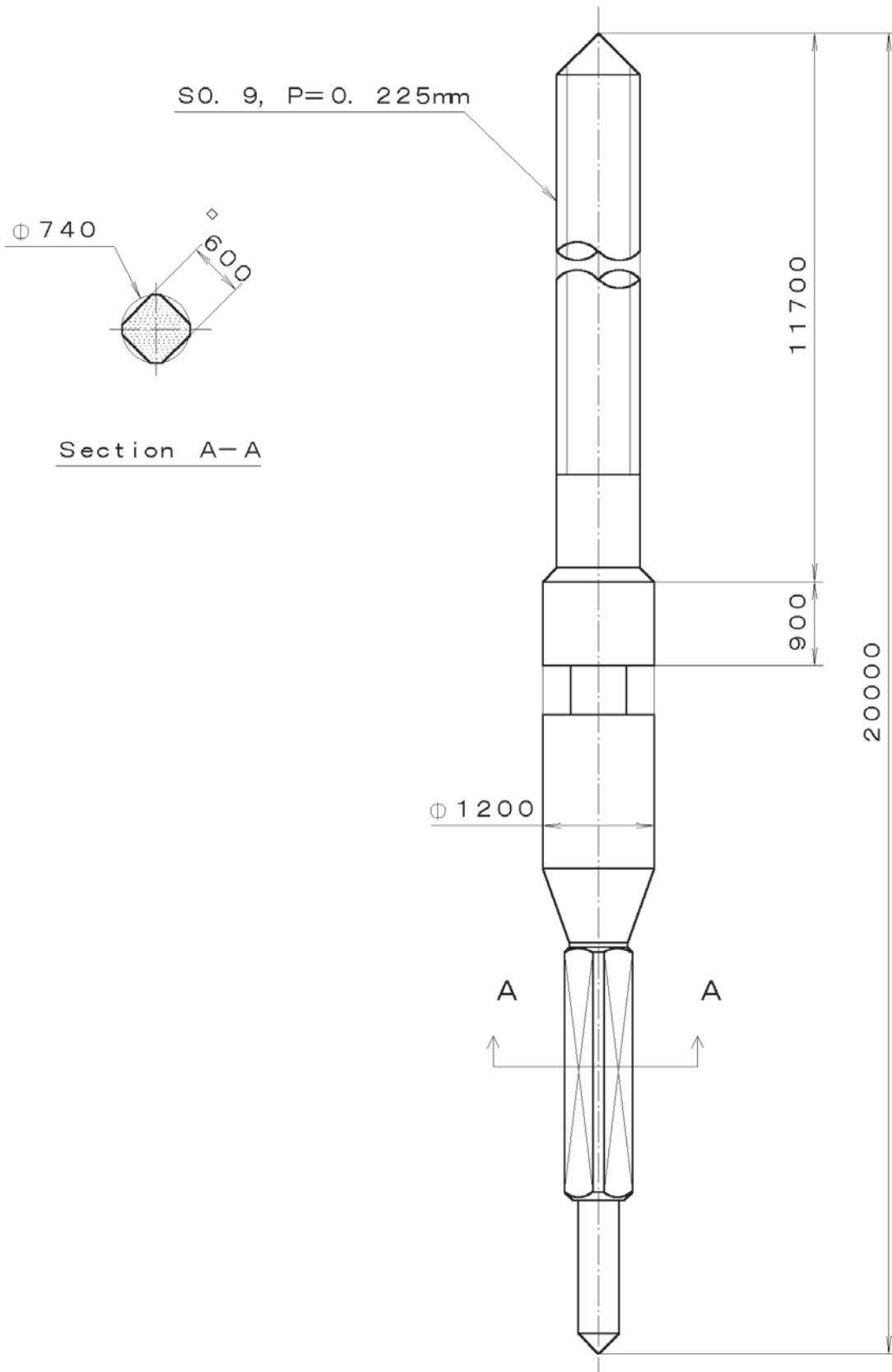
*** T I P W 8205-AEB (01) *** (2100 1121) 02-03-11



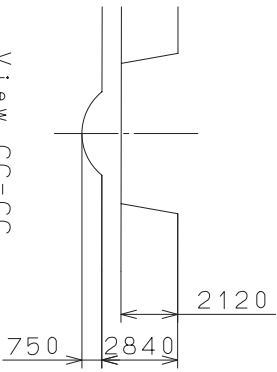
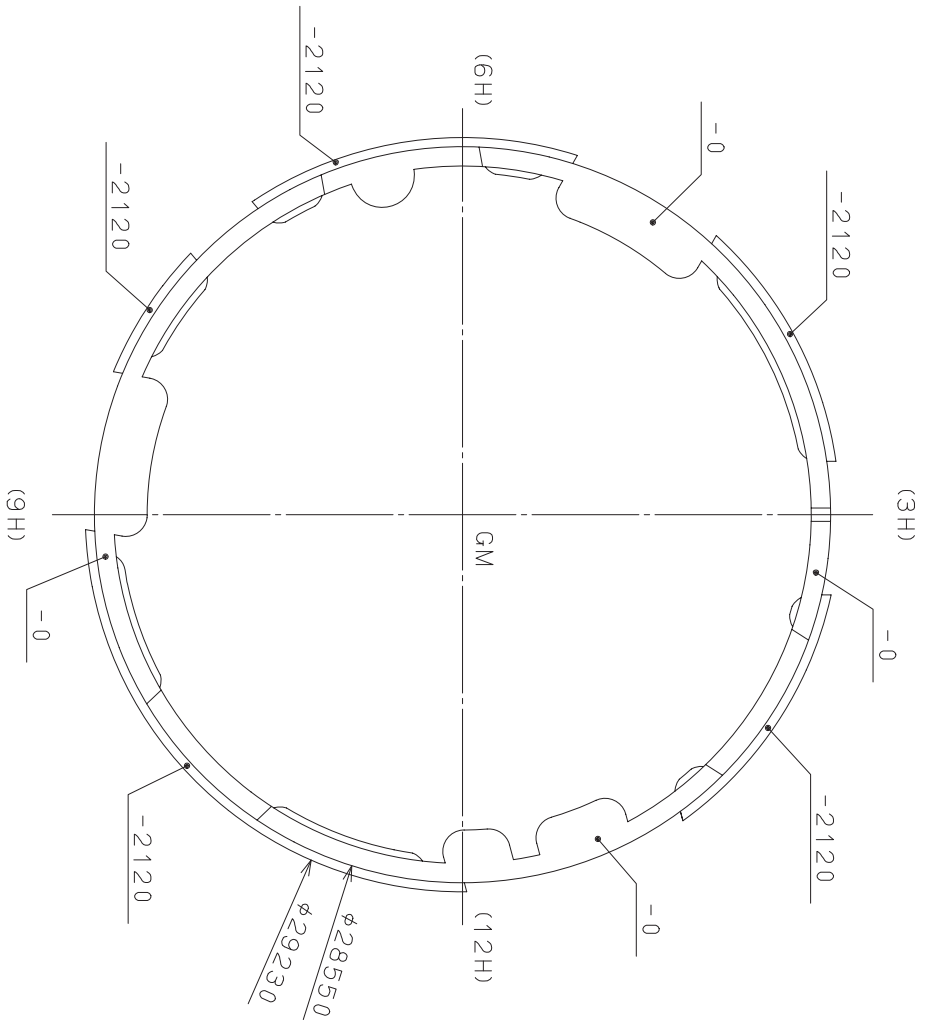
△		Quantity		Cal. No. : 8205-AEB
△		Unit	1/1000 mm	Parts:
△		Scale	5:1	
△		Date		Name : Indications for Dial
△		Drawn		
△		Checked	T. Hiruta	
△		Approved		Drawing No. : 8205D001
Material				MIYOTA
Heat Treatment		General Tolerances		
Hardness		Dimensions		
Plating		Angles		

This drawing is provisional and subject to our reconfirmation and/or revision without notice.

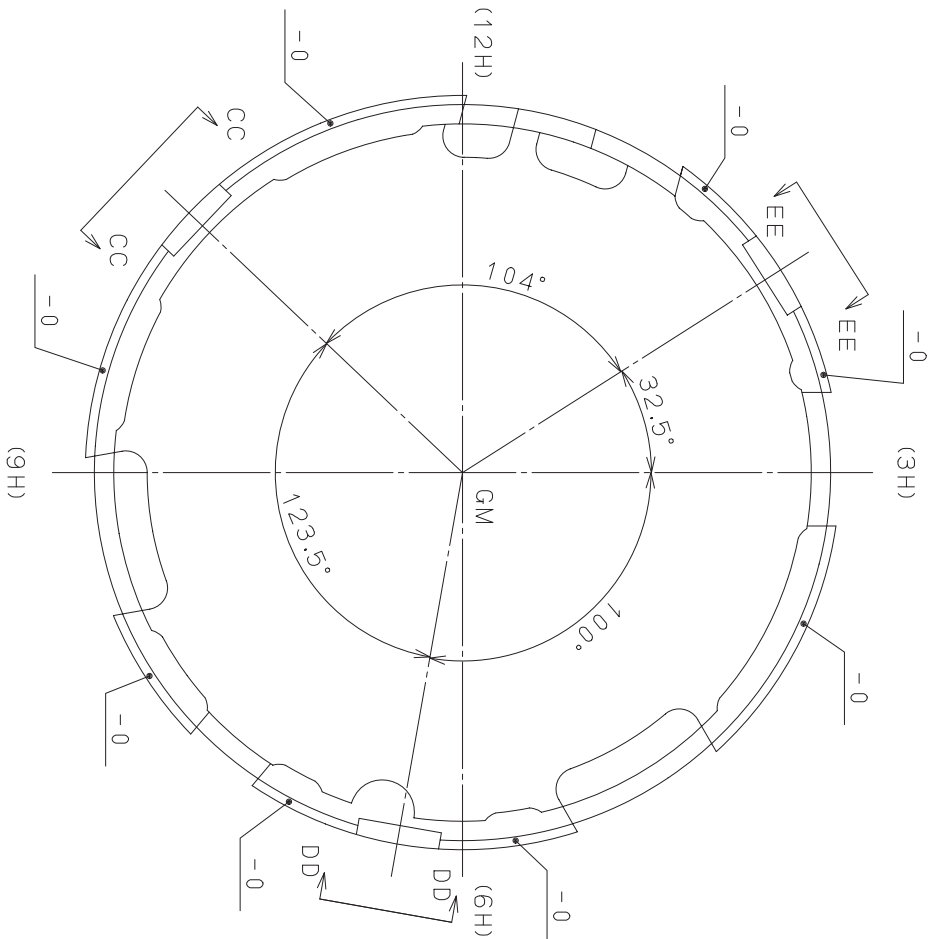
065-212 (01) *** (2100 1121) 00-09-18



7			Quantity		Cal. No. :
6			Unit	1/1000 mm	
5			Scale	15:1	Parts:
4			Date		065-212
3			Drawn		
2			Checked	T. Hiruta	Name:
1			Approved		SETTING STEM
Material					Drawing No. : 2120S000
Heat Treatment			General Tolerances		MIYOTA
Hardness			Dimensions		
Plating			Angles		



View CC-CC
DD-DD, EE-EE



△	Quantity	1	Cal. NO.:
△	Unit	1/1000 mm	
△	Scale	5 : 1	Parts No.:
△	Date		500-710
△	Drawn		
Mark	Date	Checked	Name:
Alterations	Description	Approved	Casing Holder
Material			Drawing No.: 8200E002
Heat Treatment			
Hardness			
Plating			
	General Tolerances		
	Dimensions		
	Angles		

MIYOTA

CITIZEN WATCH CO., LTD. TOKYO, JAPAN