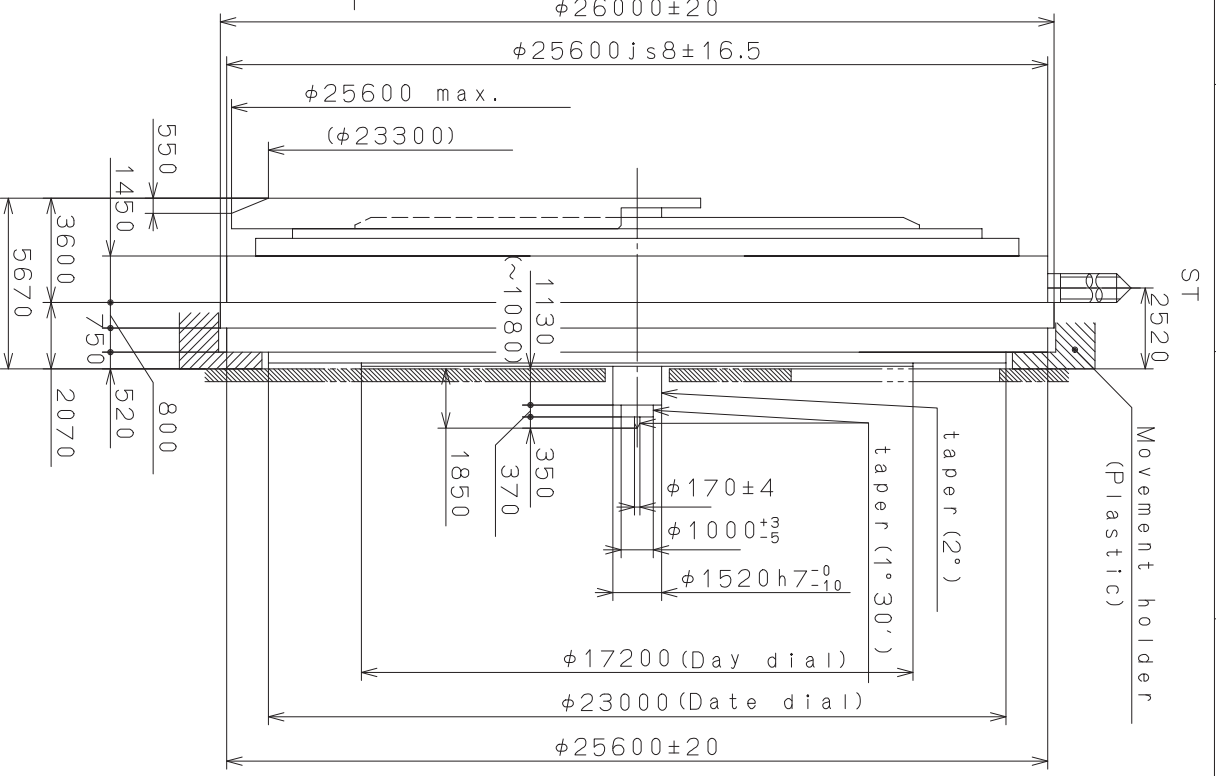
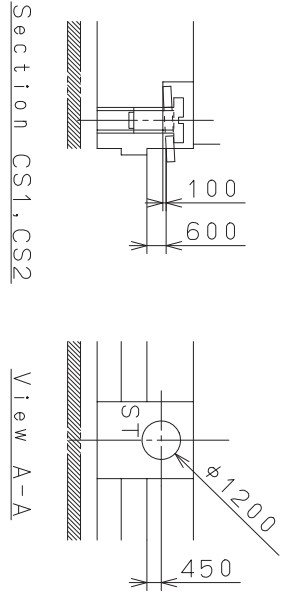
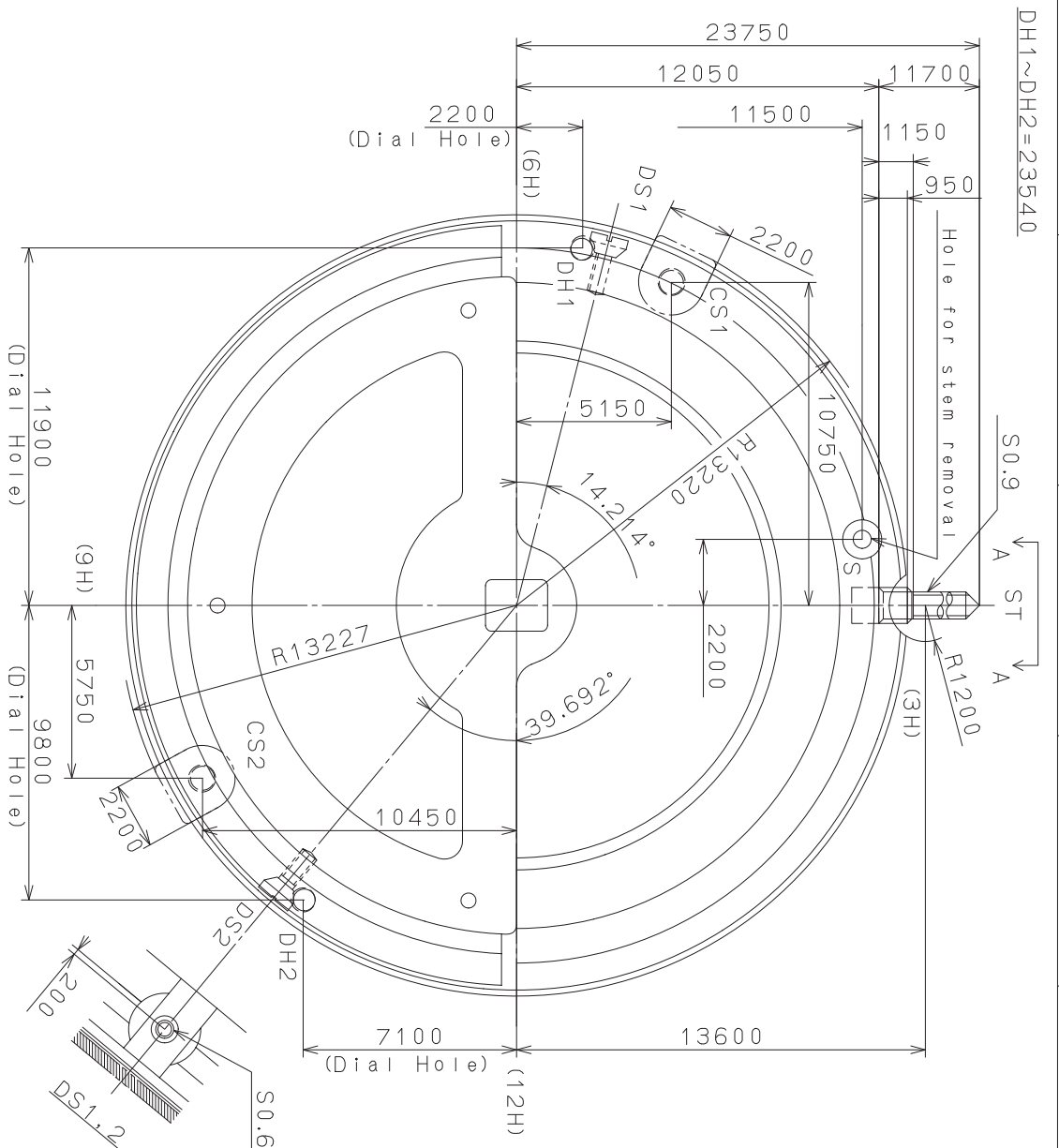


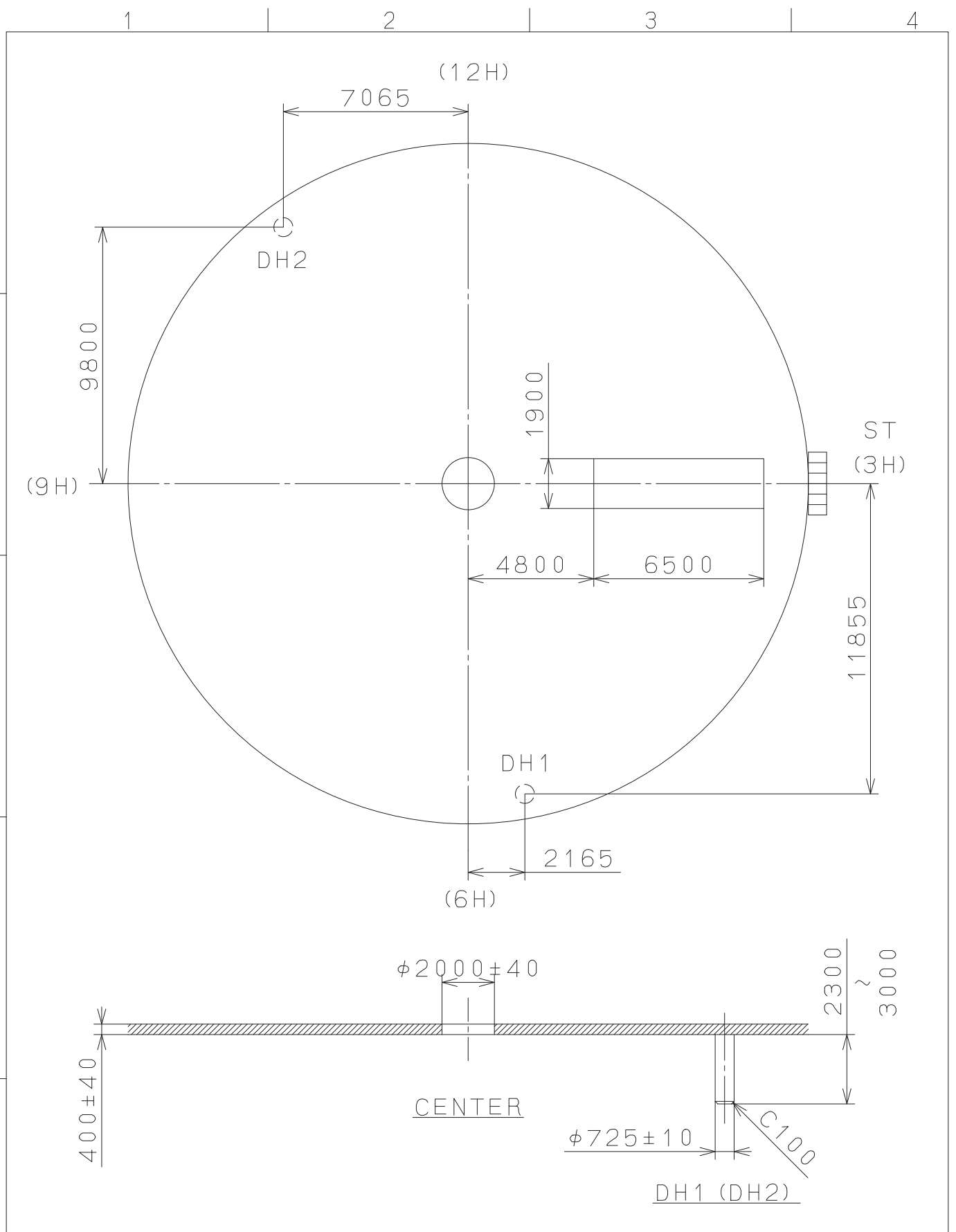
This drawing is provisional and subject to our reconfirmation and/or revision without notice.



Material	Alterations	Quantity	Unit	Cal. NO.:
Heat Treatment	Description	1 / 1000	mm	820A
Hardness	Checked	Scale	6 : 1	Parts No.:
Plating	Drawn	Date		
	Approved	Mark	E. Murakami	Name:
				Frame for Case
				Drawing No.: 820AC001
				CITIZEN WATCH CO., LTD. TOKYO, JAPAN

MIYOTA

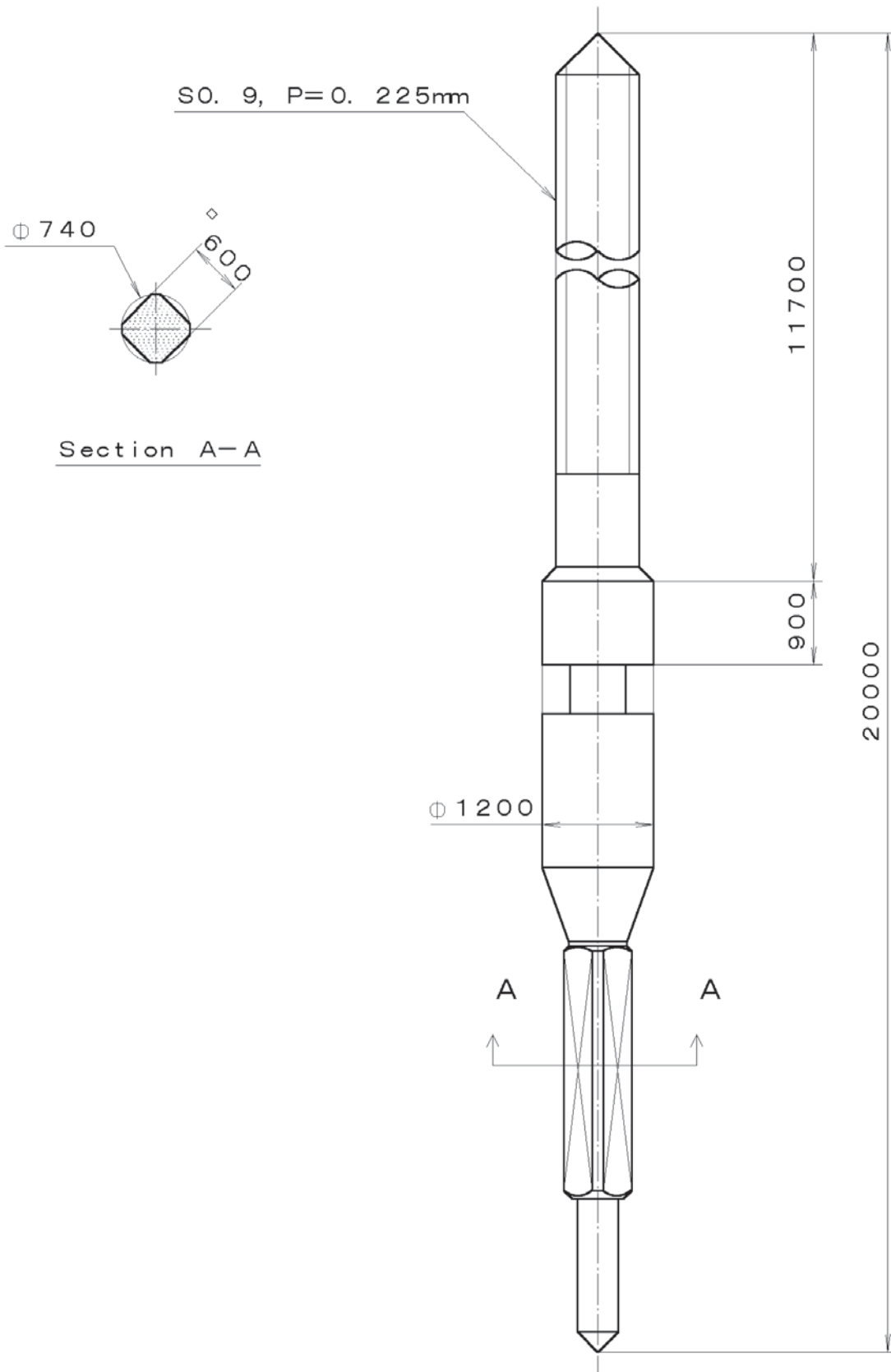
This drawing is provisional and subject to our reconfirmation and/or revision without notice.



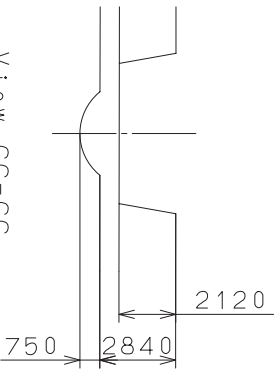
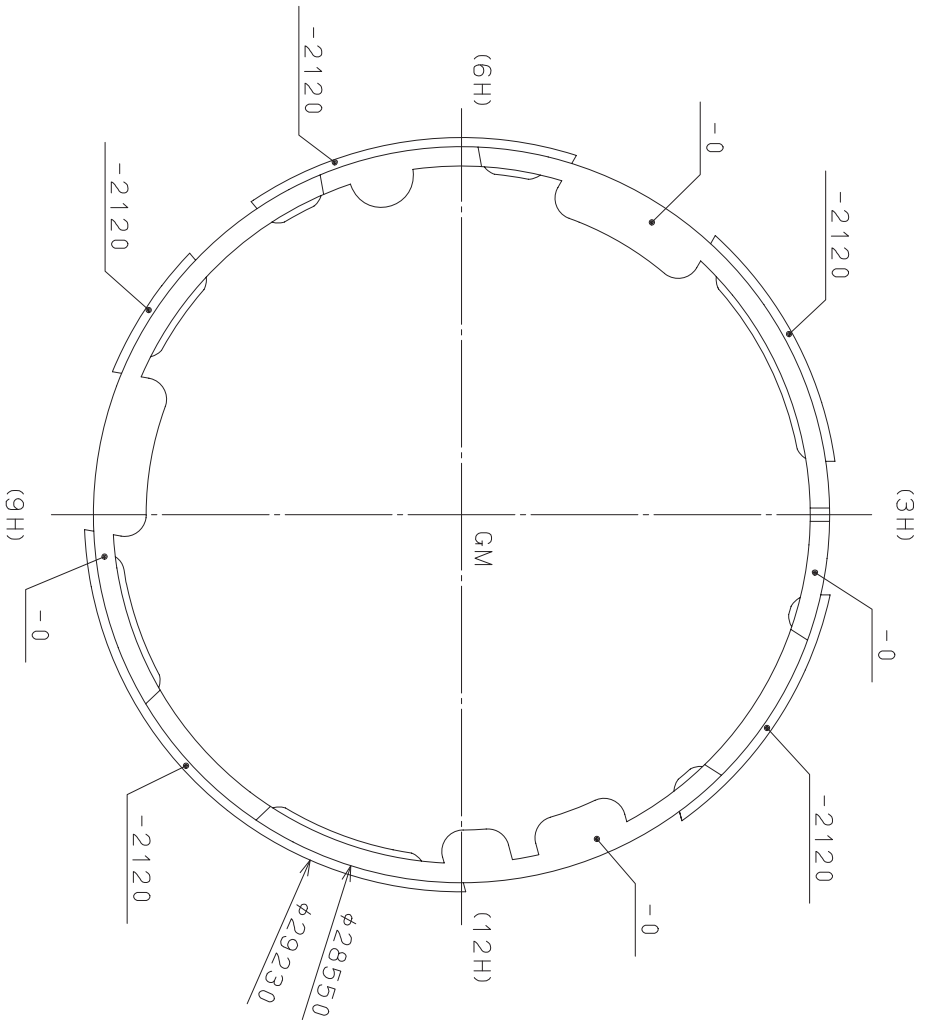
△5			Quantity		Cal.NO.:
△4			Unit	1 / 1000 mm	820A-21C
△3			Scale	5 : 1	Parts No.:
△2			Date		
△1			Drawn		
Mark	Date	Description	Appr.	Checked	Name:
		Alterations	Approved	E. Murakami	Indications for Dial
Material					Drawing No.: 820AD000
Heat Treatment			General Tolerances		MIYOTA
Hardness			Dimensions		
Plating			Angles		
					CITIZEN WATCH CO., LTD. TOKYO, JAPAN

This drawing is provisional and subject to our reconfirmation and/or revision without notice.

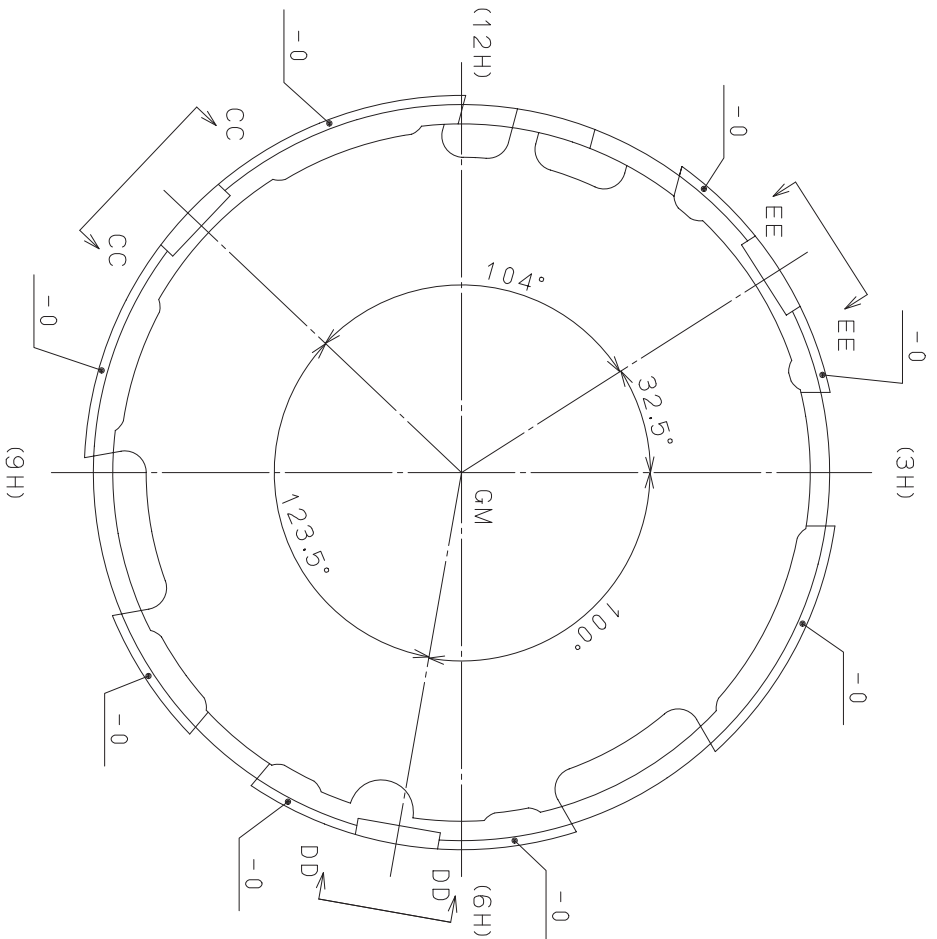
065-212 (2100 1121) 00-09-18



(01) ***	Quantity	Cal. No. :
7	Unit	1/1000 mm
6	Scale	15:1
5	Date	Parts: 065-212
4	Drawn	
3	Checked	T. Hiruta
2	Approved	Name: SETTING STEM
1	Material	Drawing No. : 2120S000
Heat Treatment	General Tolerances	MIYOTA
Hardness	Dimensions	
Plating	Angles	



View CC-CC
DD-DD, EE-EE



△	Quantity	1/1000 mm	Call. NO.:
△	Unit	5 : 1	Parts No.:
△	Scale	500-710	
△	Date		
△	Date		
△	Drawn		
Mark	Date	Checked	Name:
Alterations	Description	Approved	Casing Holder
Material	Alterations	Approved	Drawing No.: 8200E002
Heat Treatment	General Tolerances		
Hardness	Dimensions		
Plating	Angles		

MIYOTA

CITIZEN WATCH CO., LTD. TOKYO, JAPAN