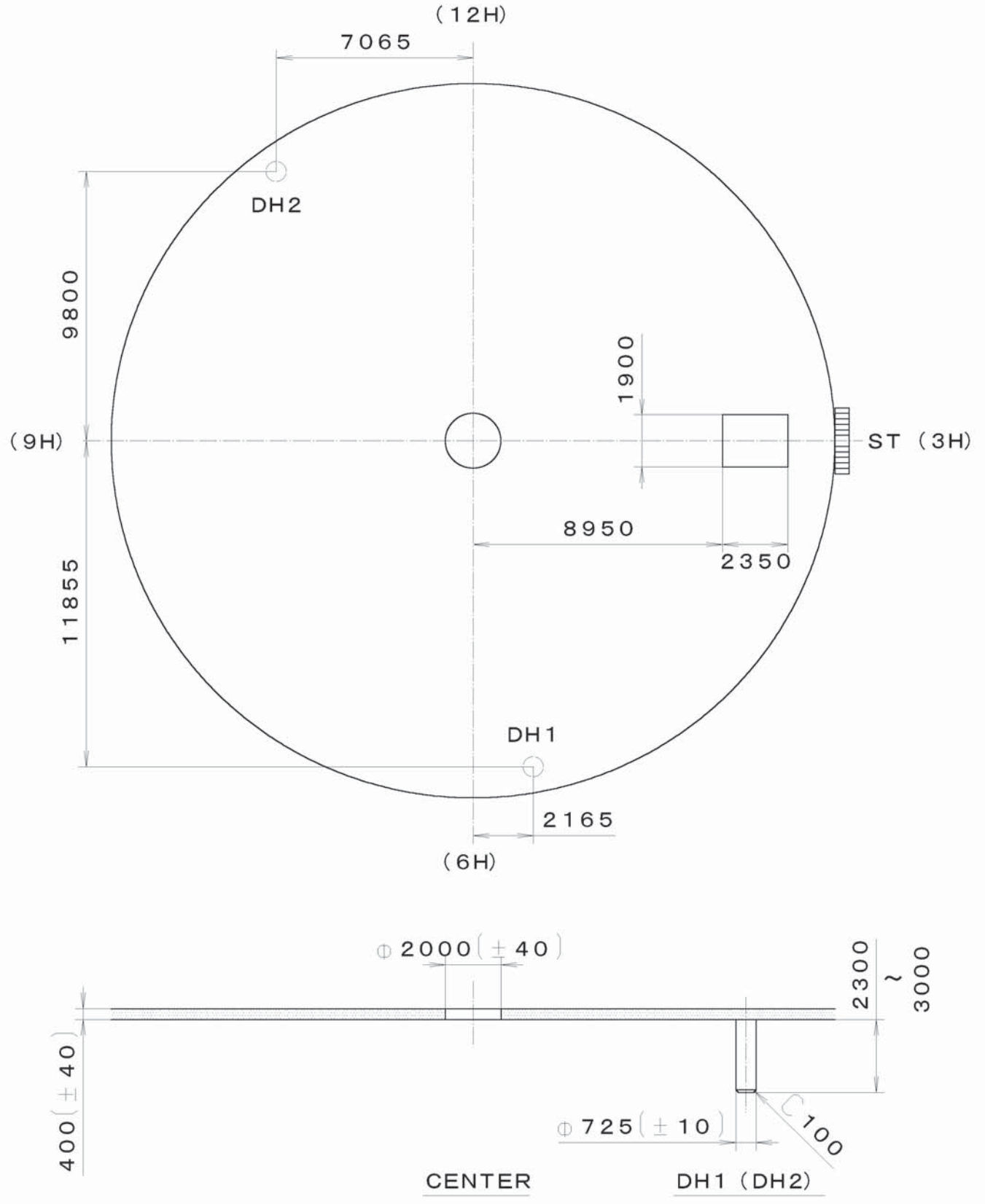


This drawing is provisional and subject to our reconfirmation and/or revision without notice.

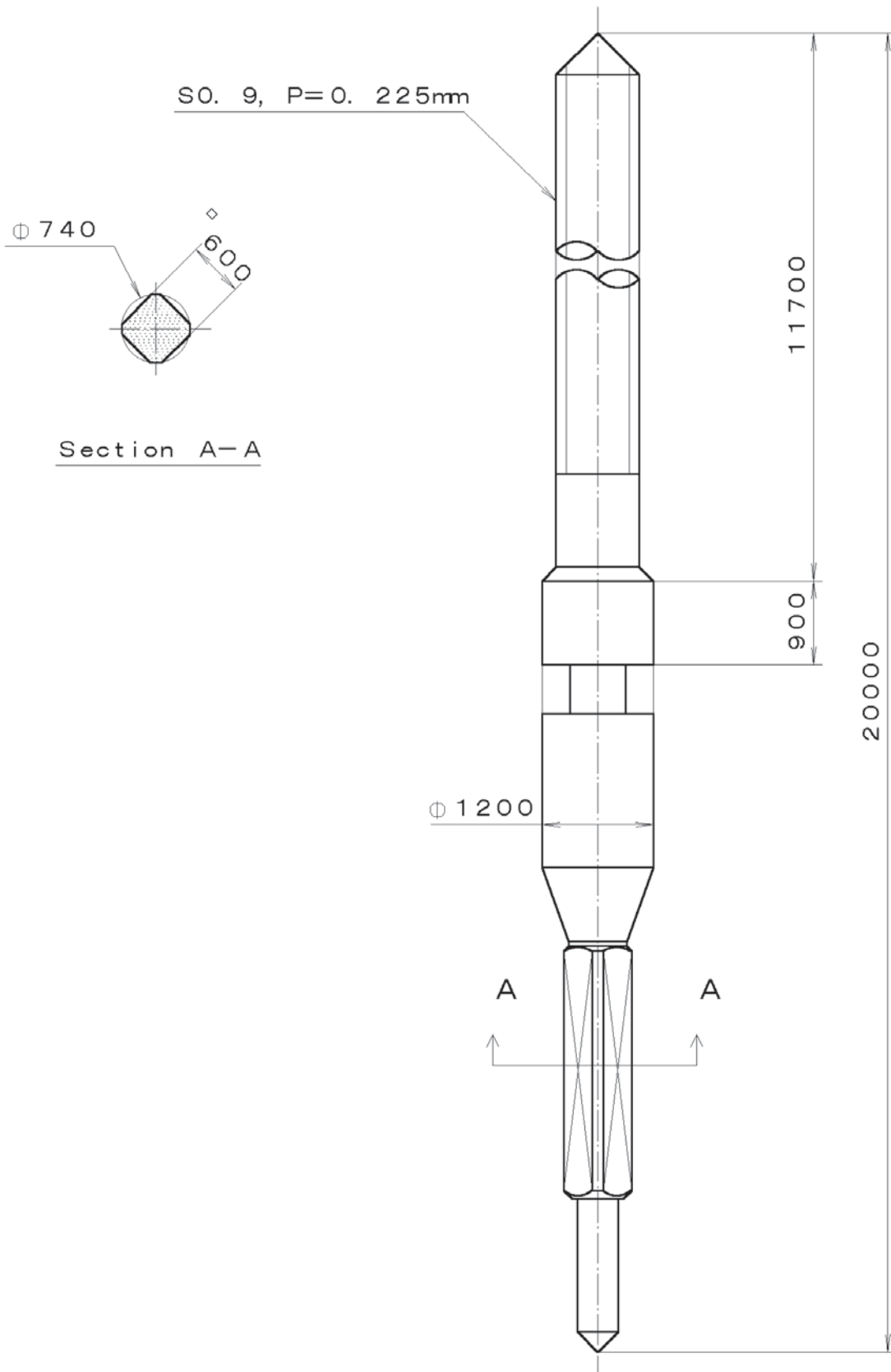
*** TIPW 8215-21A (01) *** (2100 1121) 02-03-11



△		Quantity		Cal. No. :	8215-21A
△		Unit	1/1000 mm	Parts:	
△		Scale	5:1	Name:	Indications for Dial
△		Date		Drawing No. :	8215D001
△		Drawn		MIYOTA	
△		Checked	T. Hiruta		
△		Approved			
△	Material				
△	Heat Treatment	General Tolerances			
△	Hardness	Dimensions			
△	Plating	Angles			

This drawing is provisional and subject to our reconfirmation and/or revision without notice.

065-212 (01) *** (2100 1121) 00-09-18



7			Quantity		Cal. No. :
6			Unit	1/1000 mm	
5			Scale	15:1	Parts:
4			Date		065-212
3			Drawn		
2			Checked	T. Hiruta	Name:
1			Approved		SETTING STEM
Material					Drawing No. : 2120S000
Heat Treatment			General Tolerances		MIYOTA
Hardness			Dimensions		
Plating			Angles		

