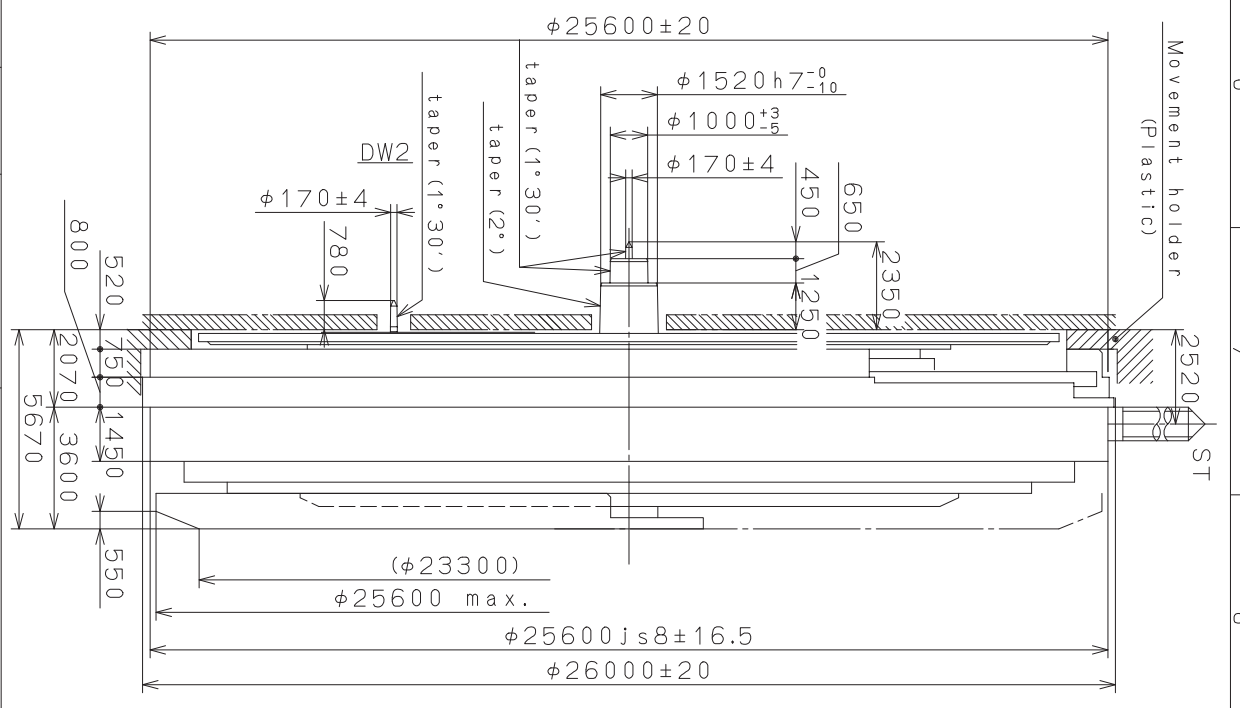
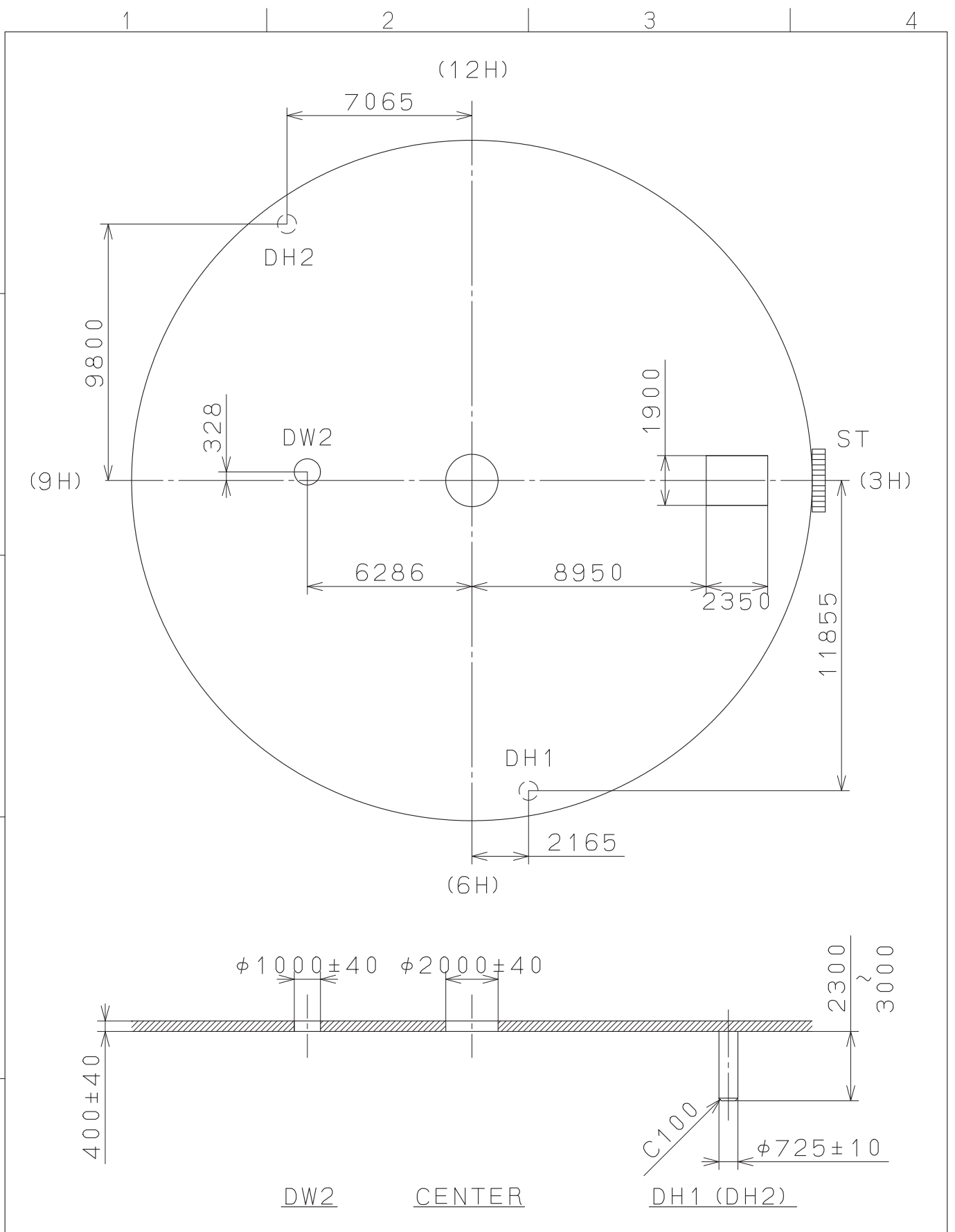


Material	Alterations	Quantity	Unit	1/1000 mm	Cal. NO.:	8217
Heat Treatment						
Hardness						
Plating						
Material				Name: Frame for Case		
Alterations				Drawing No.: 8217C013		
Mark Date				Name: N. Suzuki		
Description						
Appr. Checked						
Approved						
General Tolerances						
Dimensions						
Angles						
CITIZEN WATCH CO., LTD. TOKYO, JAPAN				MIYOTA		



2008/05/13 (14:05:02)

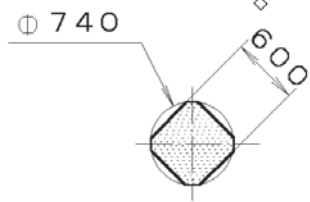
This drawing is provisional and subject to our reconfirmation and/or revision without notice.



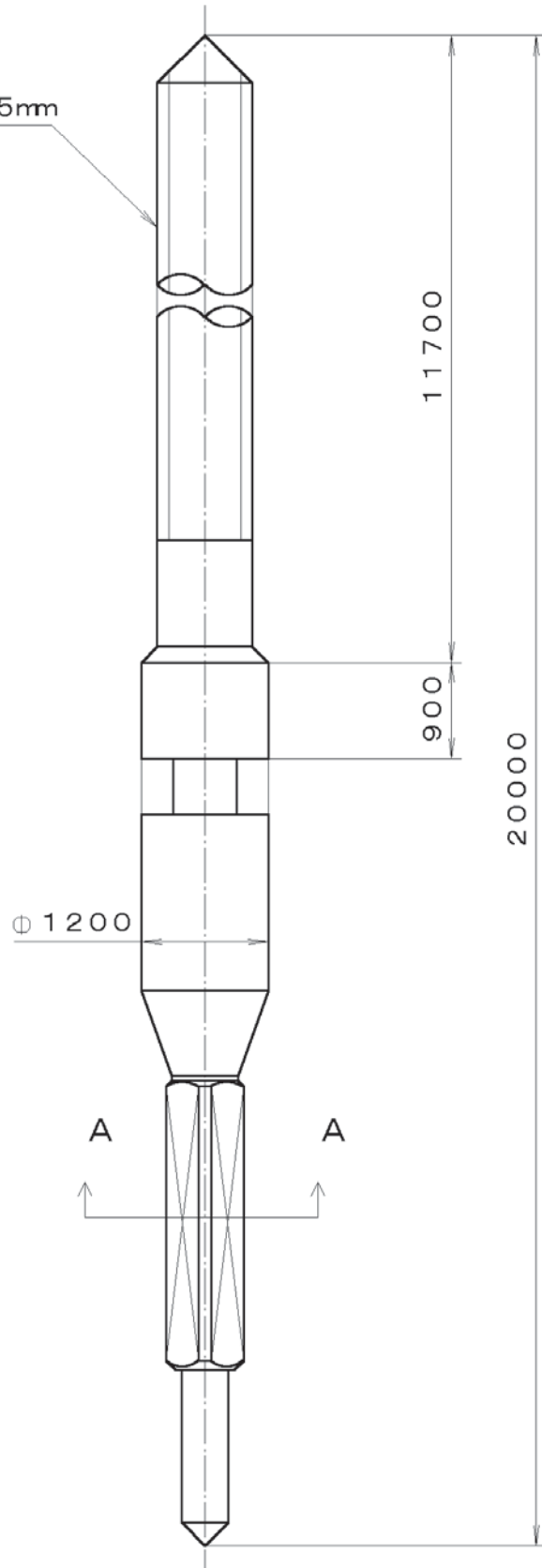
△5			Quantity		Cal.NO.:
△4			Unit	1/1000mm	8217-21A
△3			Scale	5:1	Parts No.:
△2			Date		
△1			Drawn		
Mark	Date	Description	Appr.	Checked	Name:
		Alterations	Approved	N. Suzuki	Indications for Dial
Material					Drawing No.: 8217D000
Heat Treatment			General Tolerances		<b>MIYOTA</b>
Hardness			Dimensions		
Plating			Angles		
					CITIZEN WATCH CO., LTD. TOKYO, JAPAN

This drawing is provisional and subject to our reconfirmation and/or revision without notice.

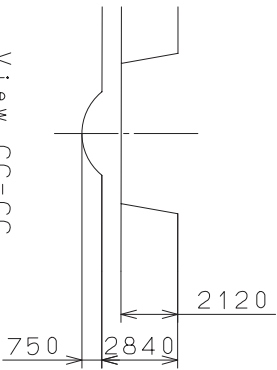
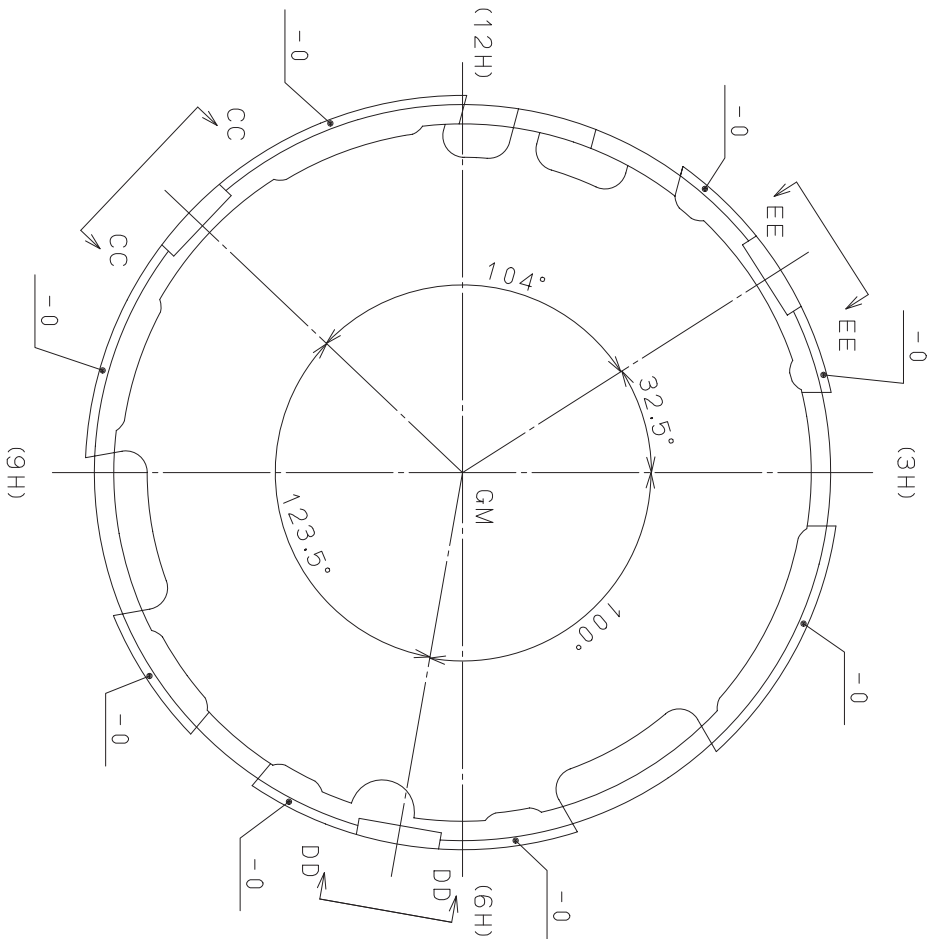
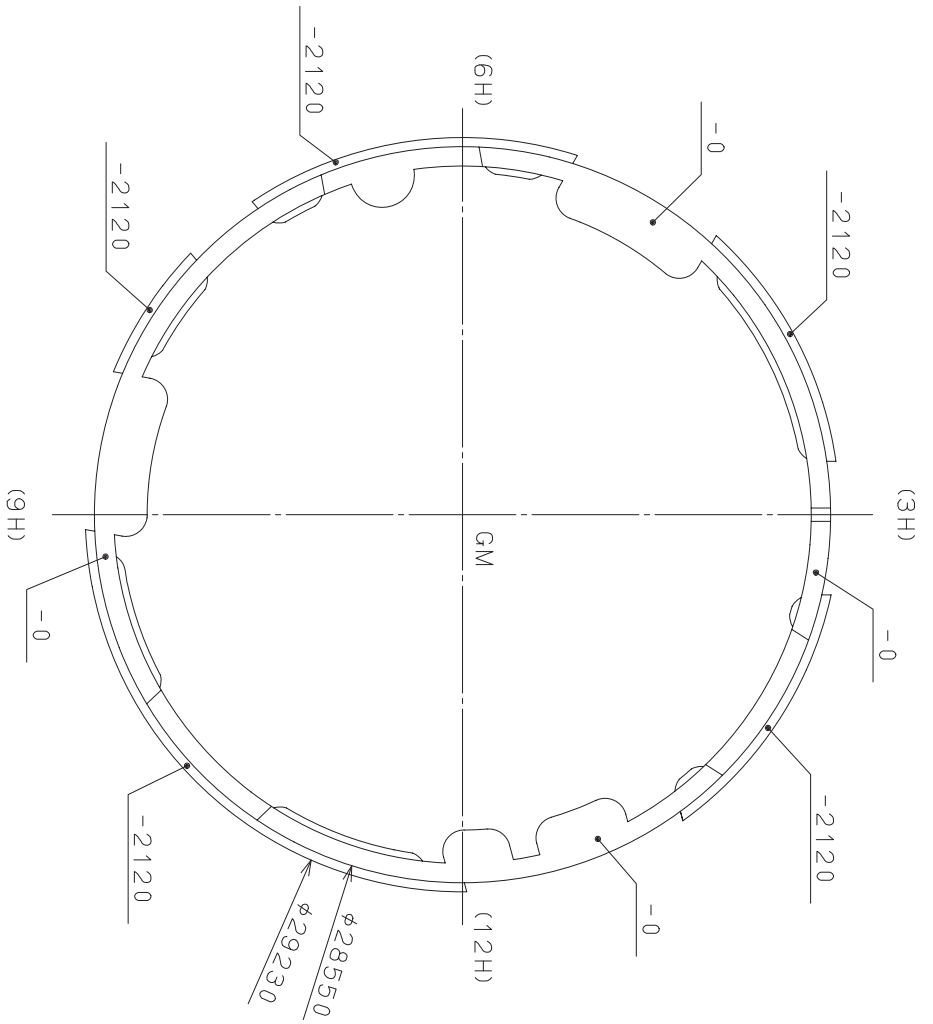
xxx T I P W (01) xxx (2100 1121) 00-09-18



S0. 9, P=0. 225mm



7			Quantity		Cal. No. :
6			Unit	1/1000 mm	
5			Scale	15:1	Parts:
4			Date		065-212
3			Drawn		
2			Checked	T. Hiruta	Name:
1			Approved		SETTING STEM
Material					Drawing No. : 2120S000
Heat Treatment			General Tolerances		<b>CITIZEN</b> WATCH CO., LTD. TOKYO, JAPAN
Hardness			Dimensions		
Plating			Angles		



View CC-CC  
DD-DD, EE-EE

△	Quantity	1/1000 <sub>mm</sub>	Call. NO.:
△	Unit	5 : 1	Parts No.:
△	Scale	500-710	
△	Date		
△	Date		
△	Drawn		
Mark	Date	Checked	Name:
Alterations	Description	Approved	Casing Holder
Material	Alterations	Approved	Drawing No.: 8200E002
Heat Treatment	General Tolerances		
Hardness	Dimensions		
Plating	Angles		

**MIYOTA**

CITIZEN WATCH CO., LTD. TOKYO, JAPAN