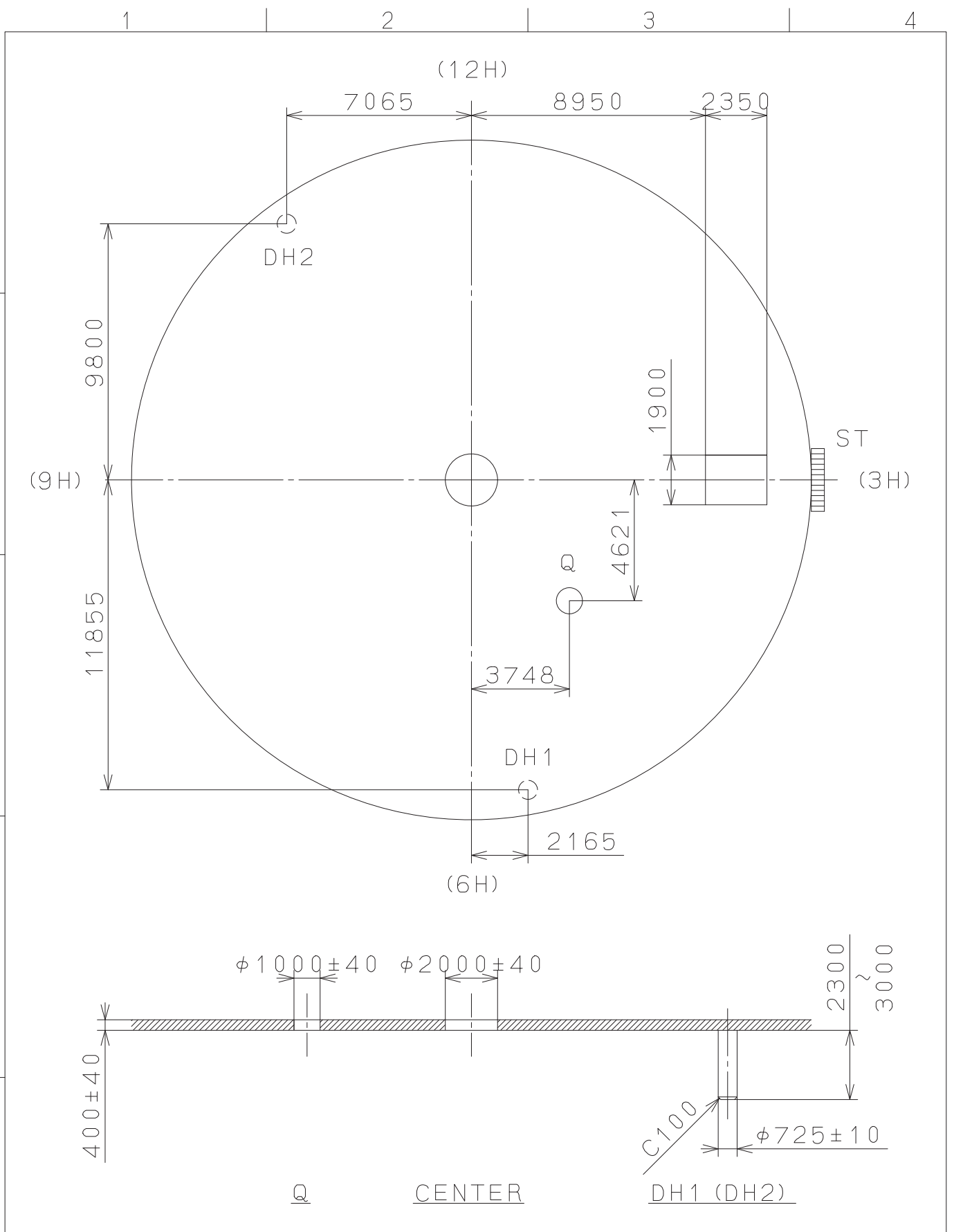


2010/06/01 (12:48:28)

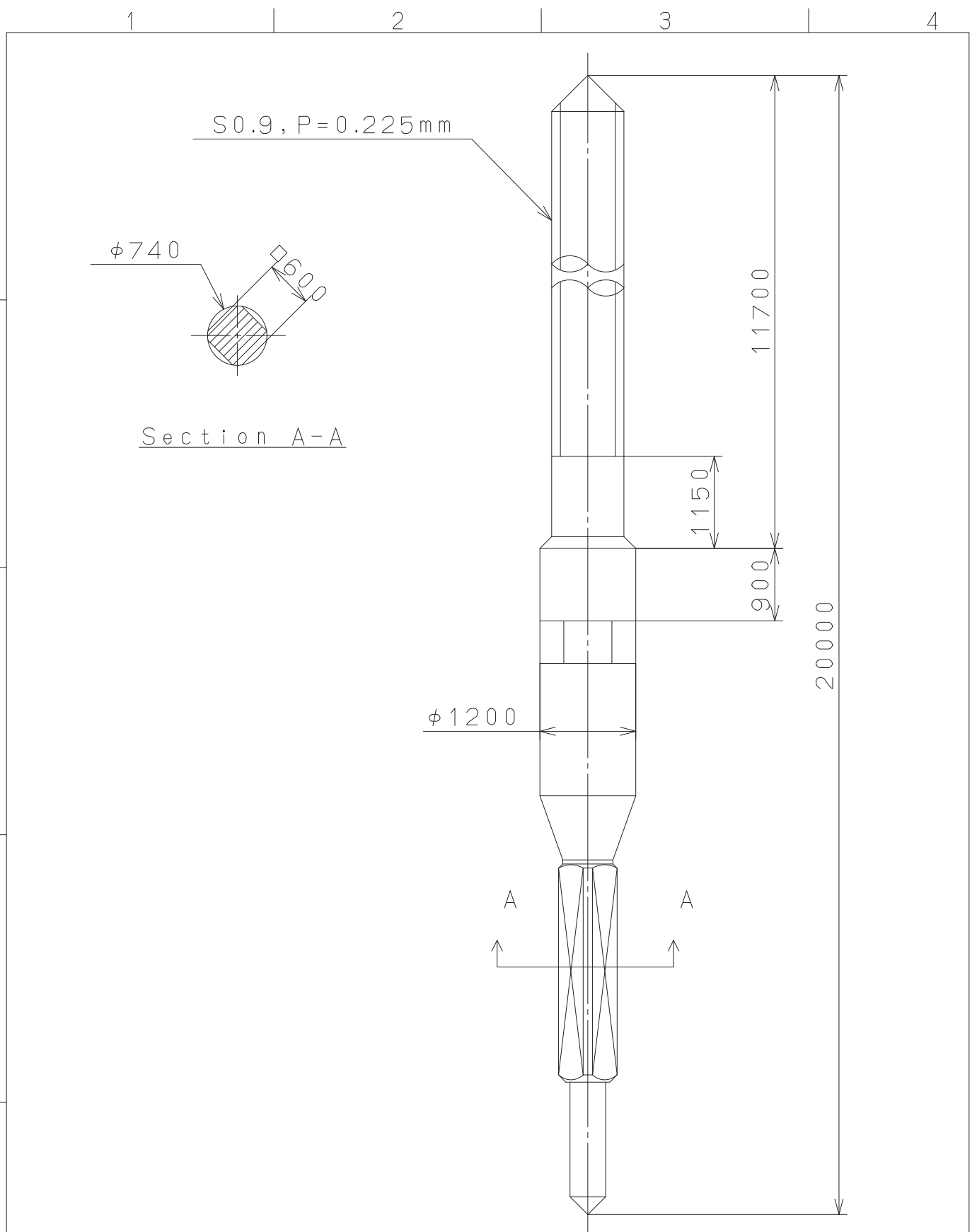
This drawing is provisional and subject to our reconfirmation and/or revision without notice.



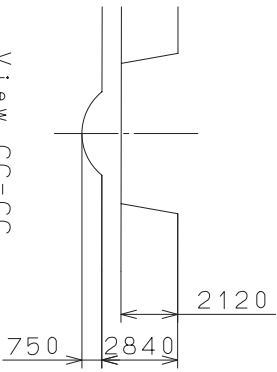
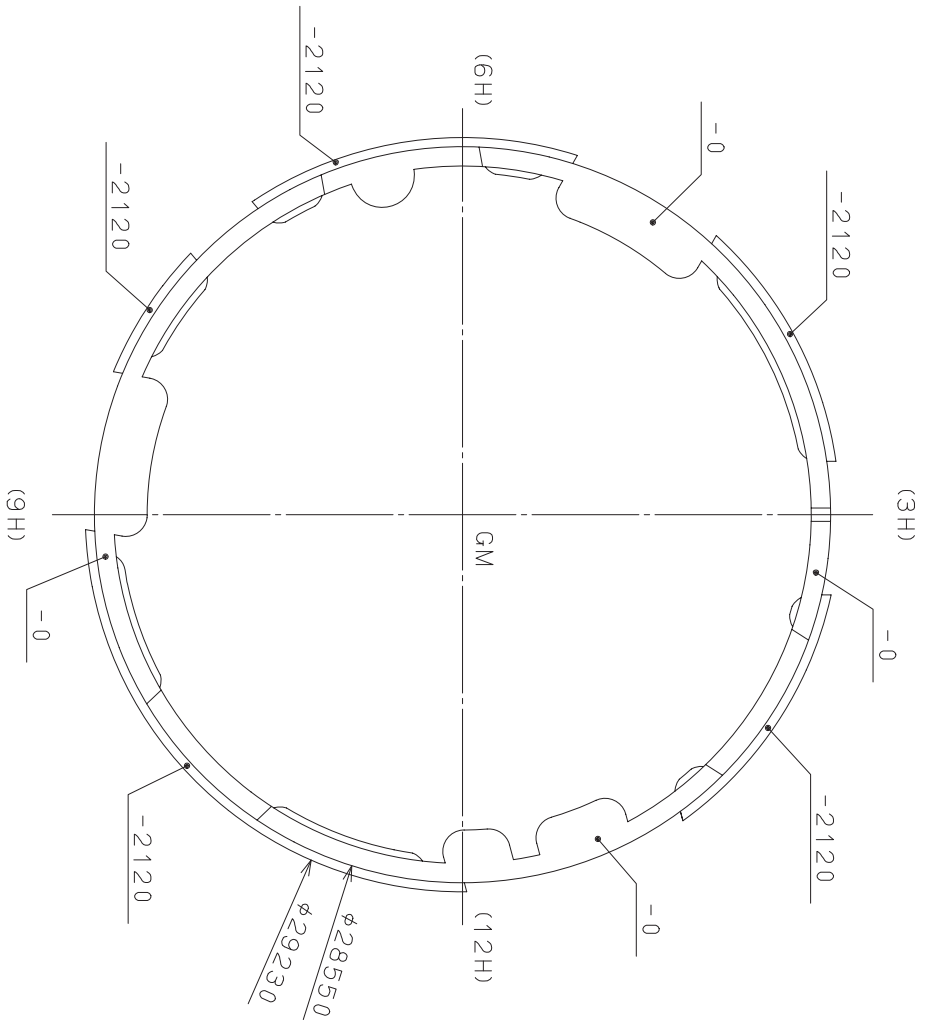
△5			Quantity		Cal.NO.:
△4			Unit	1/1000mm	8218-21A
△3			Scale	5:1	Parts No.:
△2			Date		
△1			Drawn		
Mark	Date	Description	Appr.	Checked	Name:
		Alterations	Approved	N. Suzuki	Indications for Dial
Material					Drawing No.: 8218D000
Heat Treatment			General Tolerances	MIYOTA CITIZEN WATCH CO., LTD. TOKYO, JAPAN	
Hardness			Dimensions		
Plating			Angles		

2008/11/14 (11:30:42)

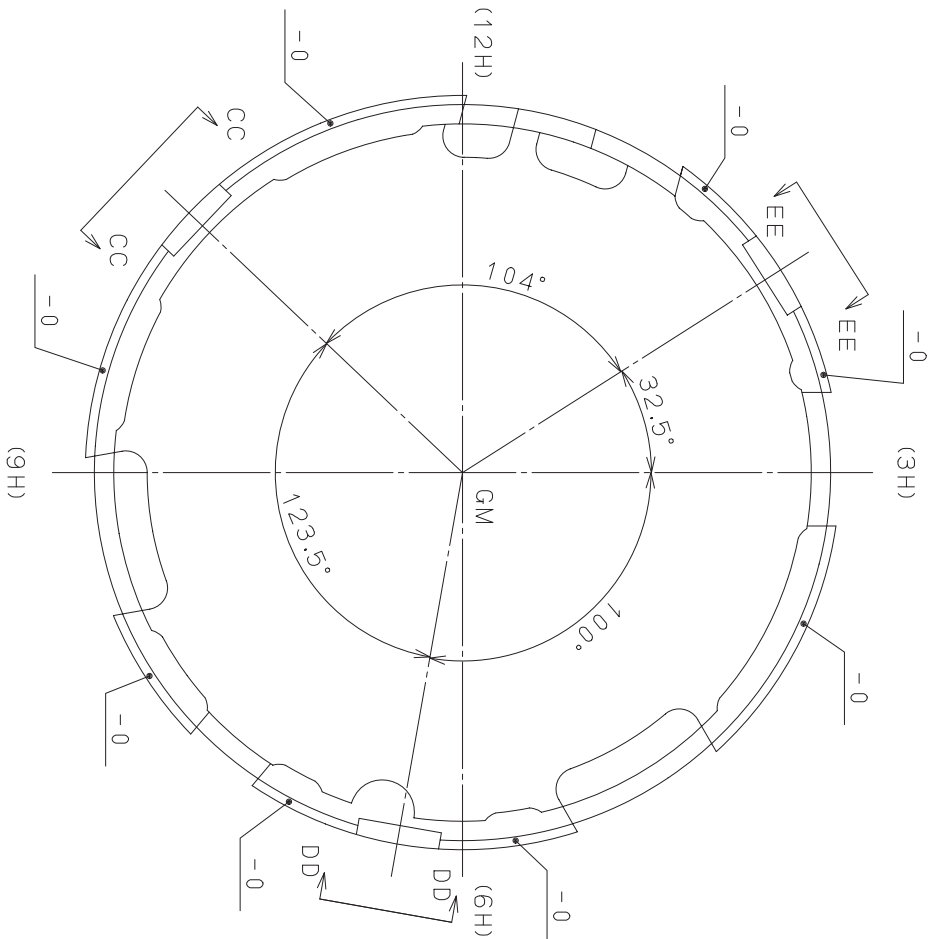
This drawing is provisional and subject to our reconfirmation and/or revision without notice.



⑤			Quantity		Cal.NO.:
④			Unit	1/1000 mm	
③			Scale	15:1	Parts No.:
②			Date		065-212
①			Drawn		
Mark	Date	Description	Appr.	Checked	Name:
		Alterations		Approved	SETTING STEM
Material					Drawing No.: 2120S001
Heat Treatment				General Tolerances	MIYOTA
Hardness				Dimensions	
Plating				Angles	
					CITIZEN WATCH CO., LTD. TOKYO, JAPAN



View CC-CC
DD-DD, EE-EE



△	Quantity	1/1000 mm	Call. NO.:
△	Unit	5 : 1	Parts No.:
△	Scale	500-710	
△	Date		
△	Date		
△	Drawn		
Mark	Date	Checked	Name:
Alterations	Description	Approved	Casing Holder
Material	Alterations	Approved	Drawing No.: 8200E002
Heat Treatment	General Tolerances		
Hardness	Dimensions		
Plating	Angles		

MIYOTA

CITIZEN WATCH CO., LTD. TOKYO, JAPAN