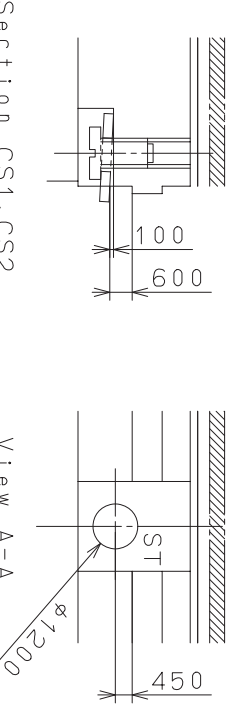
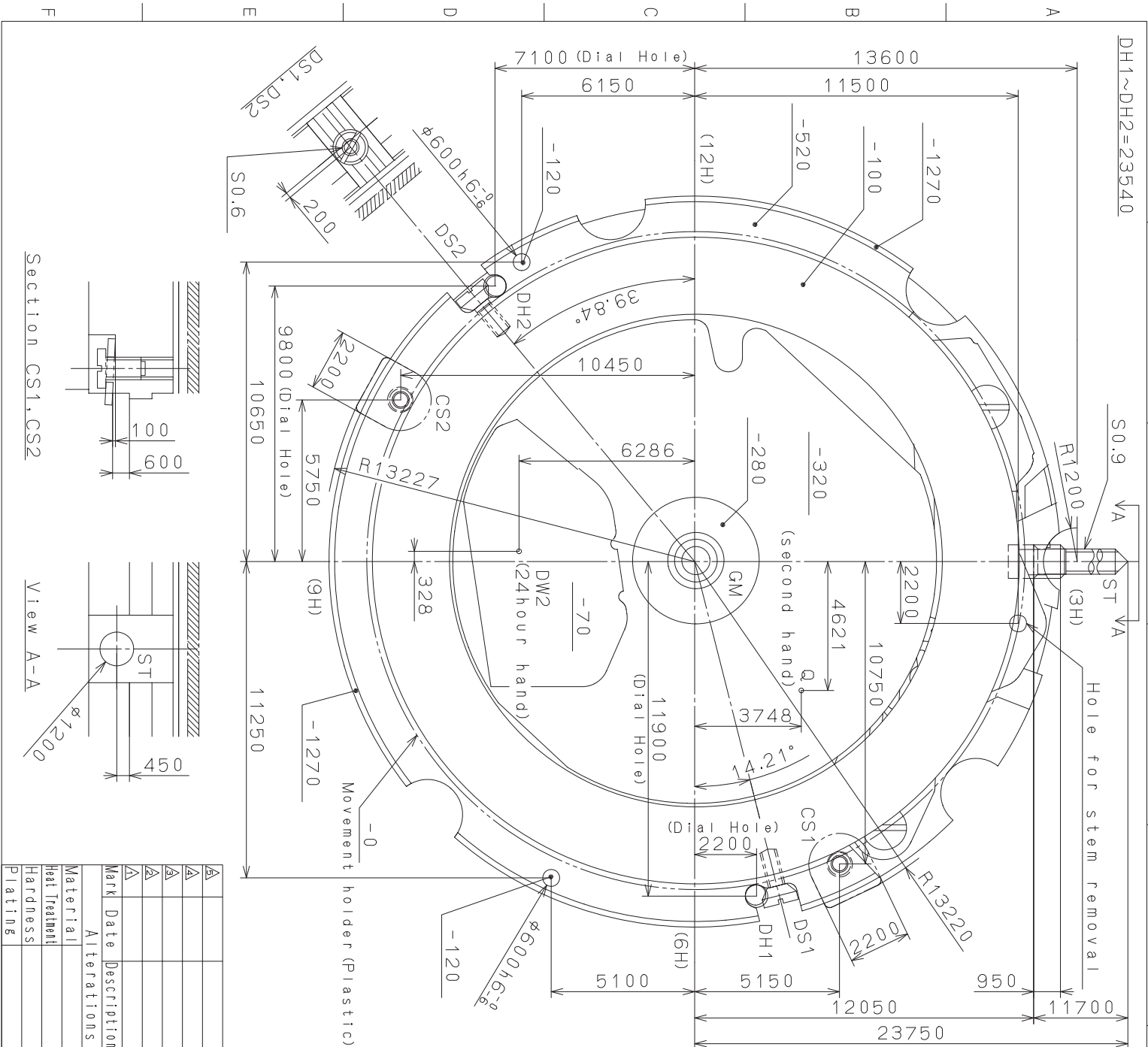
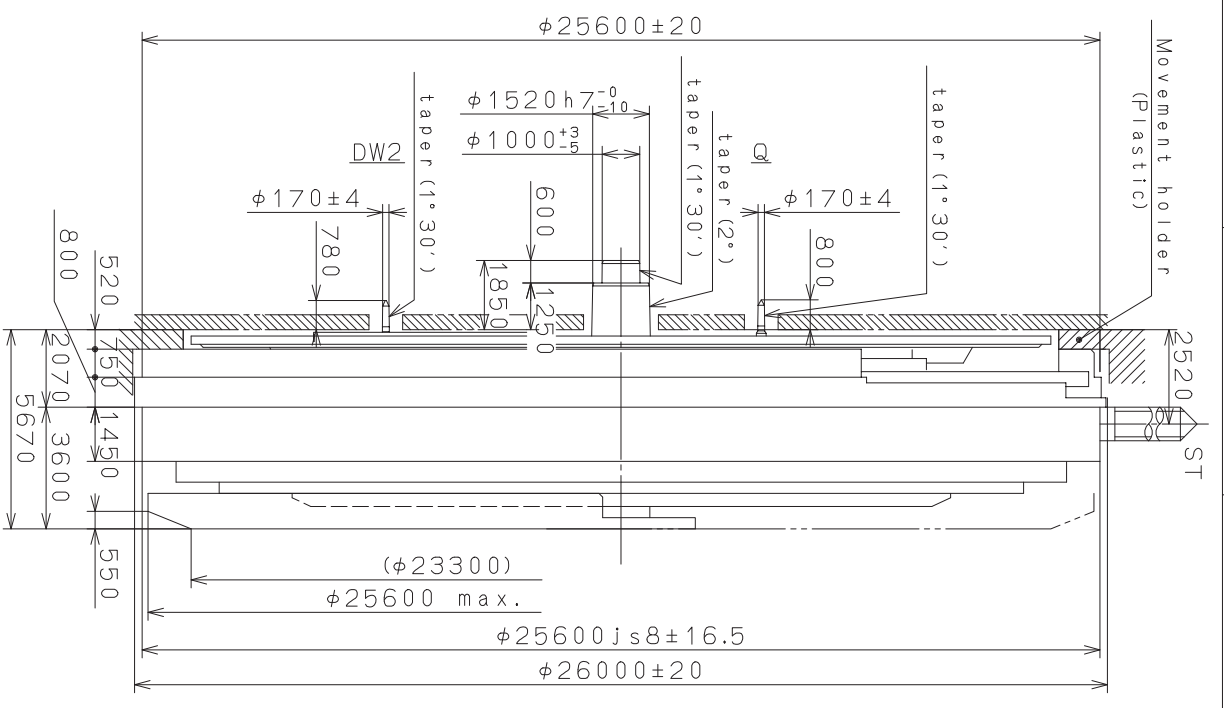


This drawing is provisional and subject to our reconfirmation and/or revision without notice.

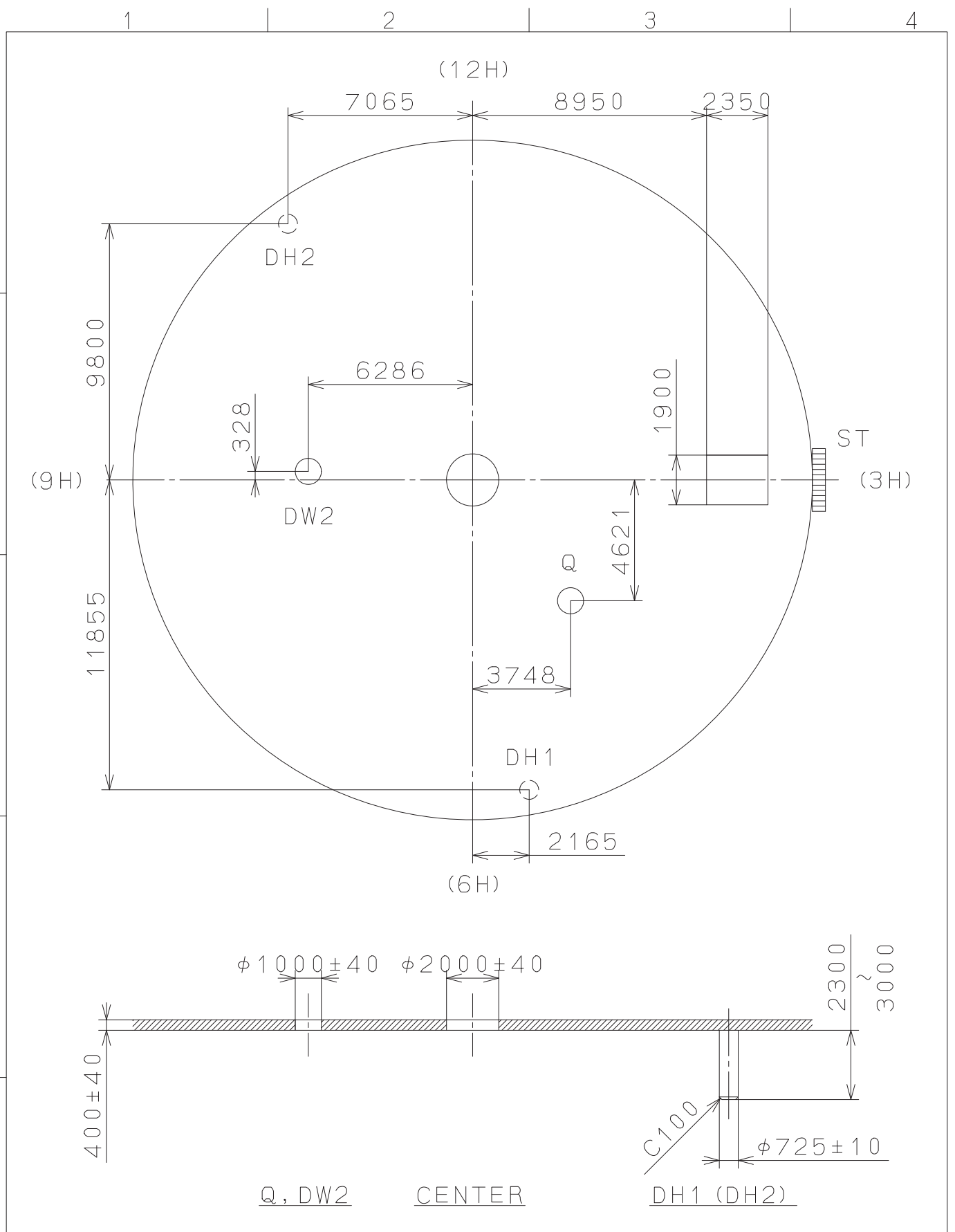


Quantity	1 / 1000 mm	Cal. NO. :	8219
Unit	7 : 1	Parts No. :	
Scale		Name :	Frame for Case
Date		Name :	N. Suzuki
Drawn		Checked	
Date		Approved	
Material	Alterations		
Heat Treatment	General Tolerances		
Hardness	Dimensions		
Plating	Angles		
		CITIZEN WATCH CO., LTD. TOKYO, JAPAN	
		Drawing No. : 8219C003	



2010/06/01 (12:49:15)

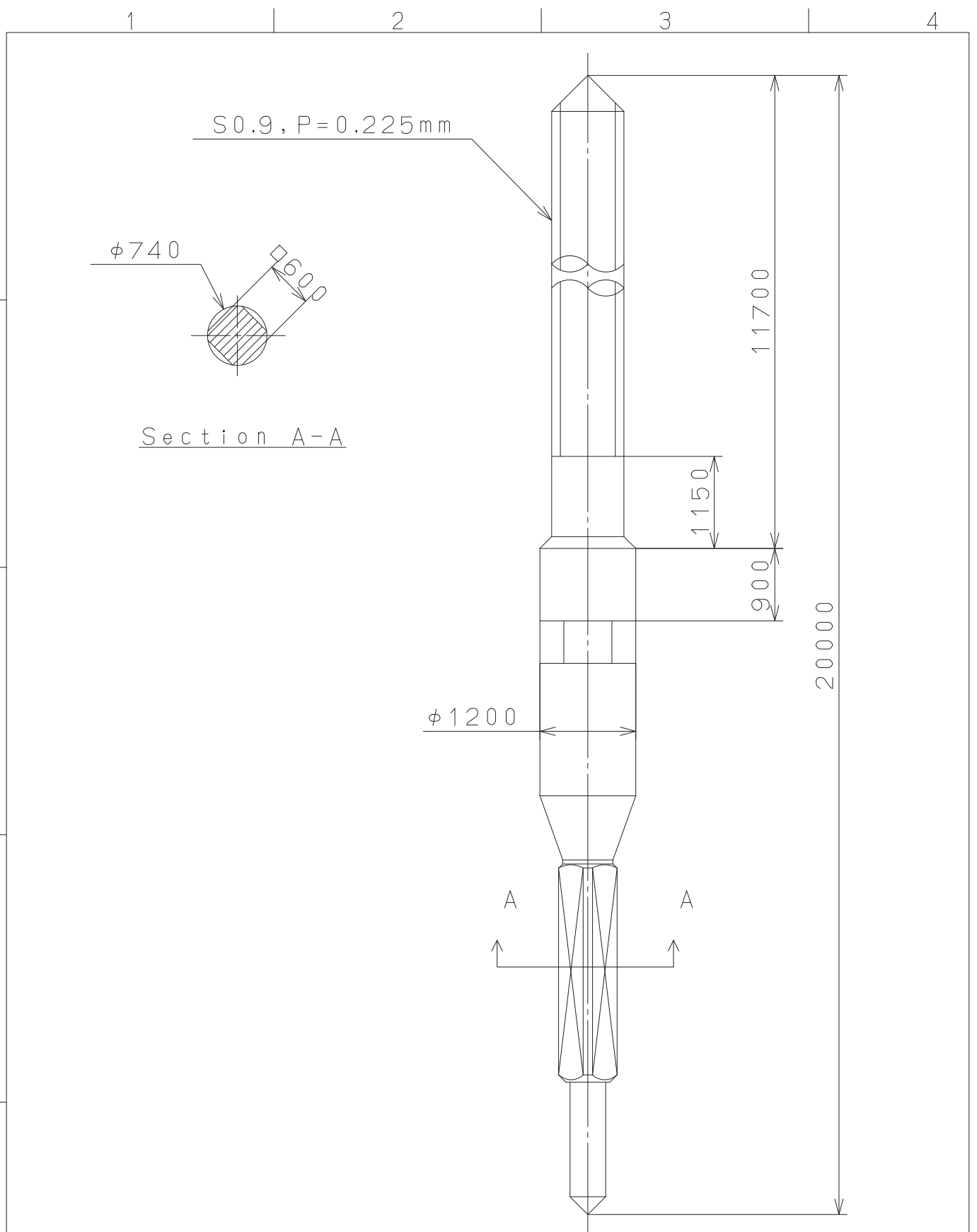
This drawing is provisional and subject to our reconfirmation and/or revision without notice.



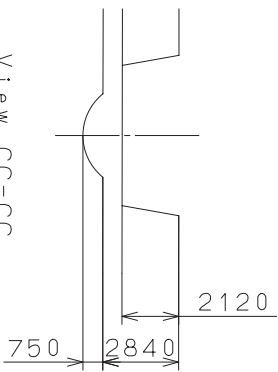
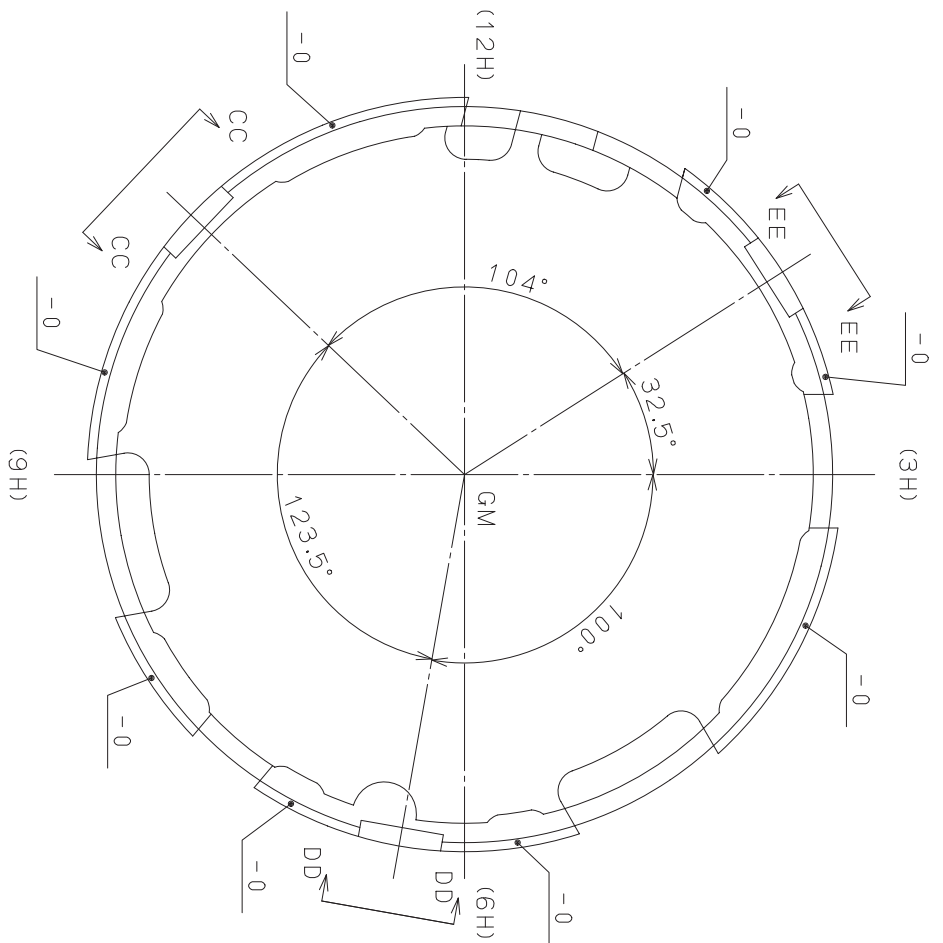
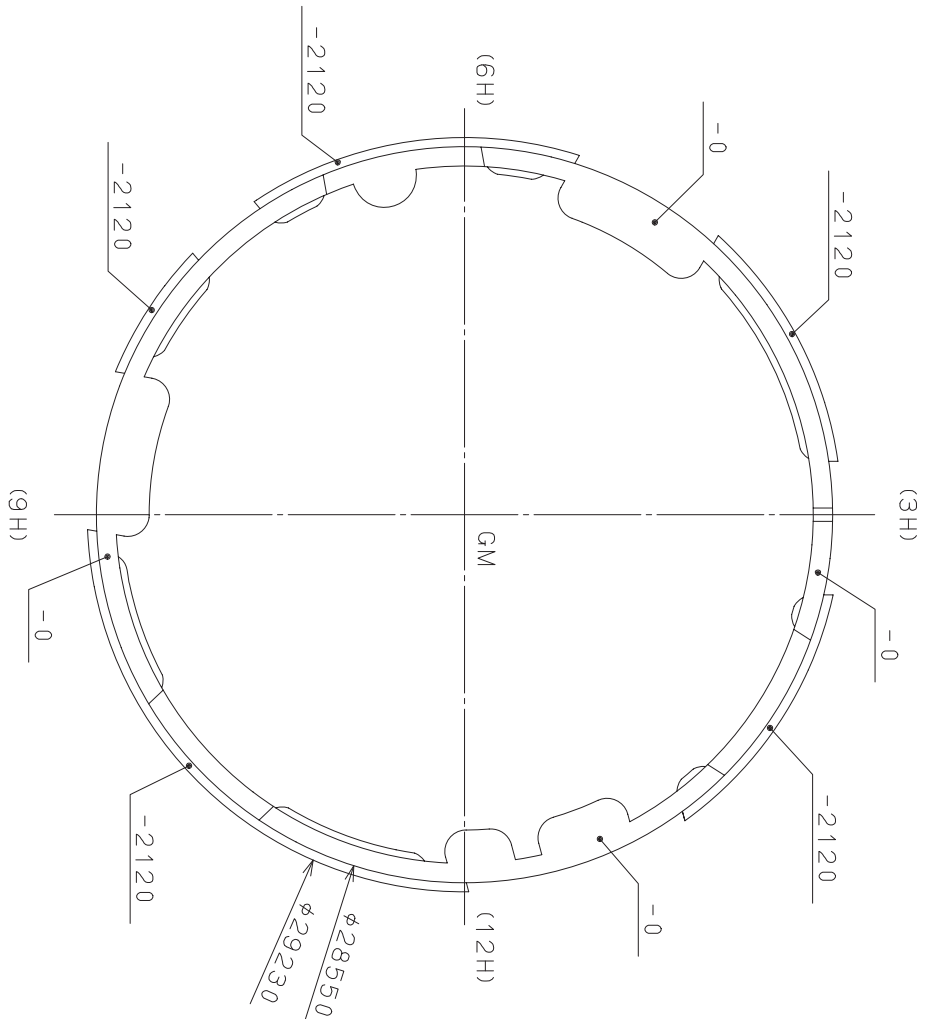
△5			Quantity		Cal.NO.:
△4			Unit	1/1000mm	8219-21A
△3			Scale	5:1	Parts No.:
△2			Date		
△1			Drawn		
Mark	Date	Description	Appr.	Checked	Name:
		Alterations	Approved	N. Suzuki	Indications for Dial
Material					Drawing No.: 8219D000
Heat Treatment			General Tolerances	<b>MIYOTA</b> CITIZEN WATCH CO., LTD. TOKYO, JAPAN	
Hardness			Dimensions		
Plating			Angles		

2008/11/14 (11:30:42)

This drawing is provisional and subject to our reconfirmation and/or revision without notice.



⑤			Quantity		Cal.NO.:
④			Unit	1/1000mm	
③			Scale	15:1	Parts No.:
②			Date		065-212
①			Drawn		
Mark	Date	Description	Appr.	Checked	Name:
		Alterations	Approved	N. Suzuki	SETTING STEM
Material					Drawing No.: 2120S001
Heat Treatment			General Tolerances	<b>MIYOTA</b> CITIZEN WATCH CO., LTD. TOKYO, JAPAN	
Hardness			Dimensions		
Plating			Angles		



View CC-CC  
DD-DD, EE-EE

Material	Quantity	Unit	Call. NO.:
Heat Treatment		1/1000 mm	
Hardness	Scale	5 : 1	Parts No.:
Plating	Date	Drawn	500-710
	Mark	Date	Name:
		Description	Casing Holder
	Alterations	Checked	Approved
		Approved	N. Suzuki
			Drawing No.: 8200E002
			General Tolerances
			Dimensions
			Angles
			CITIZEN WATCH CO., LTD. TOKYO, JAPAN
			<b>MIYOTA</b>