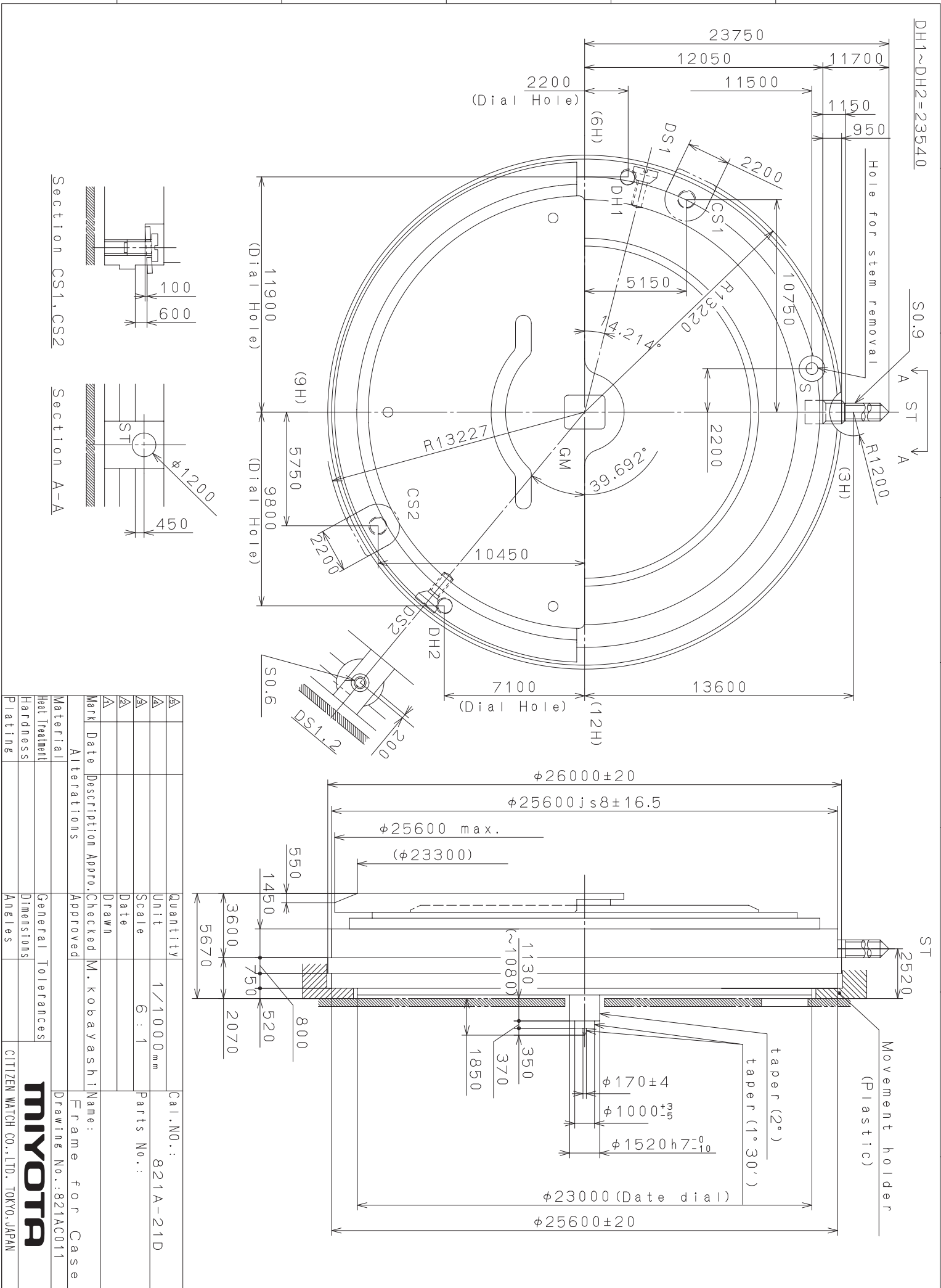


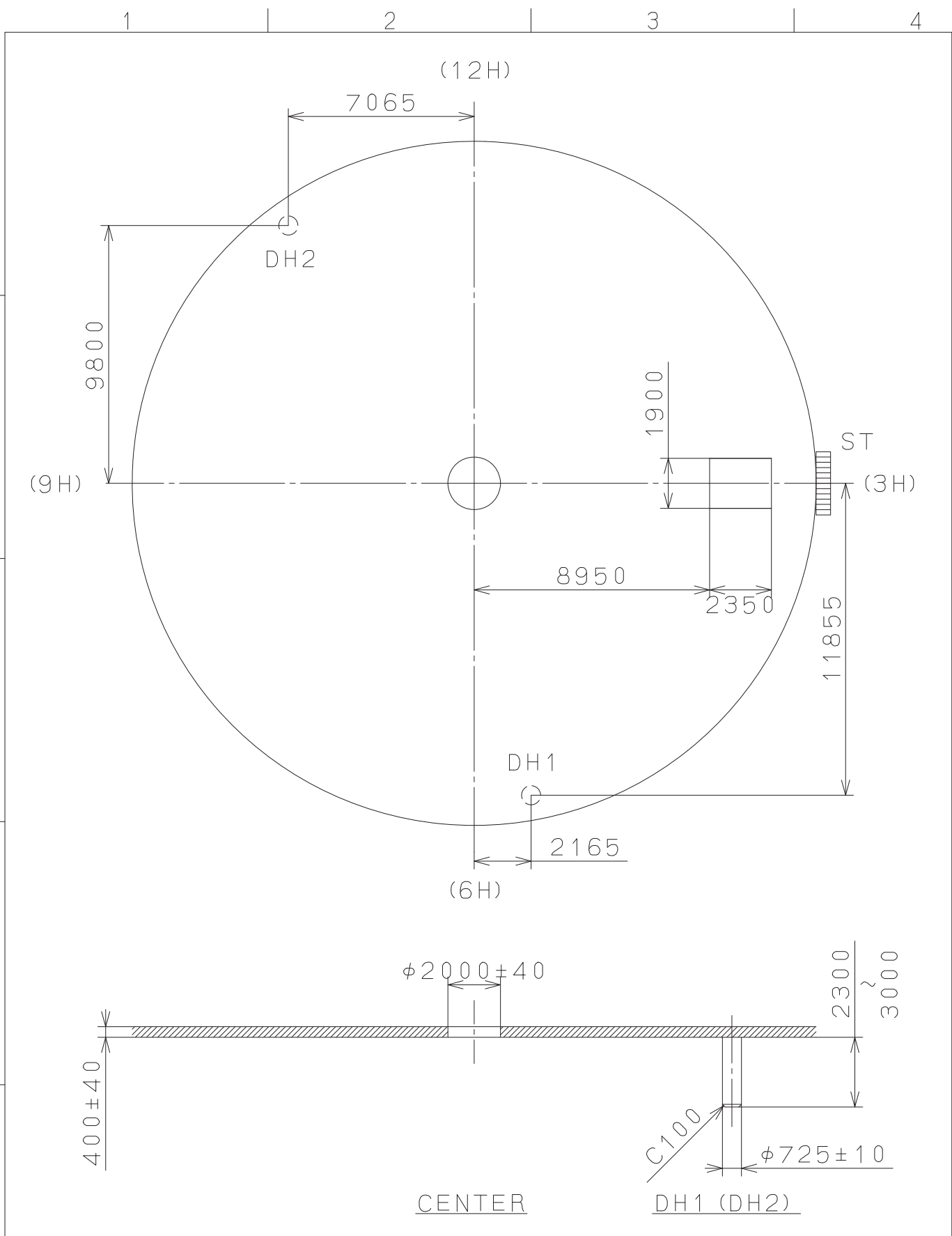
Material	Alterations	Quantity	Unit	Cal. NO.:
Heat Treatment	Description	1	1/1000 mm	821A-21C
Hardness	Appr.	6	6 : 1	Parts No.:
Plating	Checked			
	Drawn			
	Approved			
	Mark Date Description Appr. Checked M. Kobayashi Name: Frame for Case			
	Material General Tolerances Drawing No.: 821AC001			
	Heat Treatment Dimensions			
	Hardness Angles			
	Plating CITIZEN WATCH CO., LTD. TOKYO, JAPAN			

MIYOTA



Material	Alterations	Quantity	Unit	Cal. NO.:
Heat Treatment	Description	1	1/1000 mm	821A-21D
Hardness	Appr.	Scale	6 : 1	Parts No.:
Plating	Checked	Date		
	Drawn			
	Approved			
	Mark Date Description Appr. Checked M. Kobayashi Name: Frame for Case			
	Material General Tolerances Drawing No.: 821AC011			
	Hardness Dimensions			
	Plating Angles			
	CITIZEN WATCH CO., LTD. TOKYO, JAPAN			
	MIYOTA			

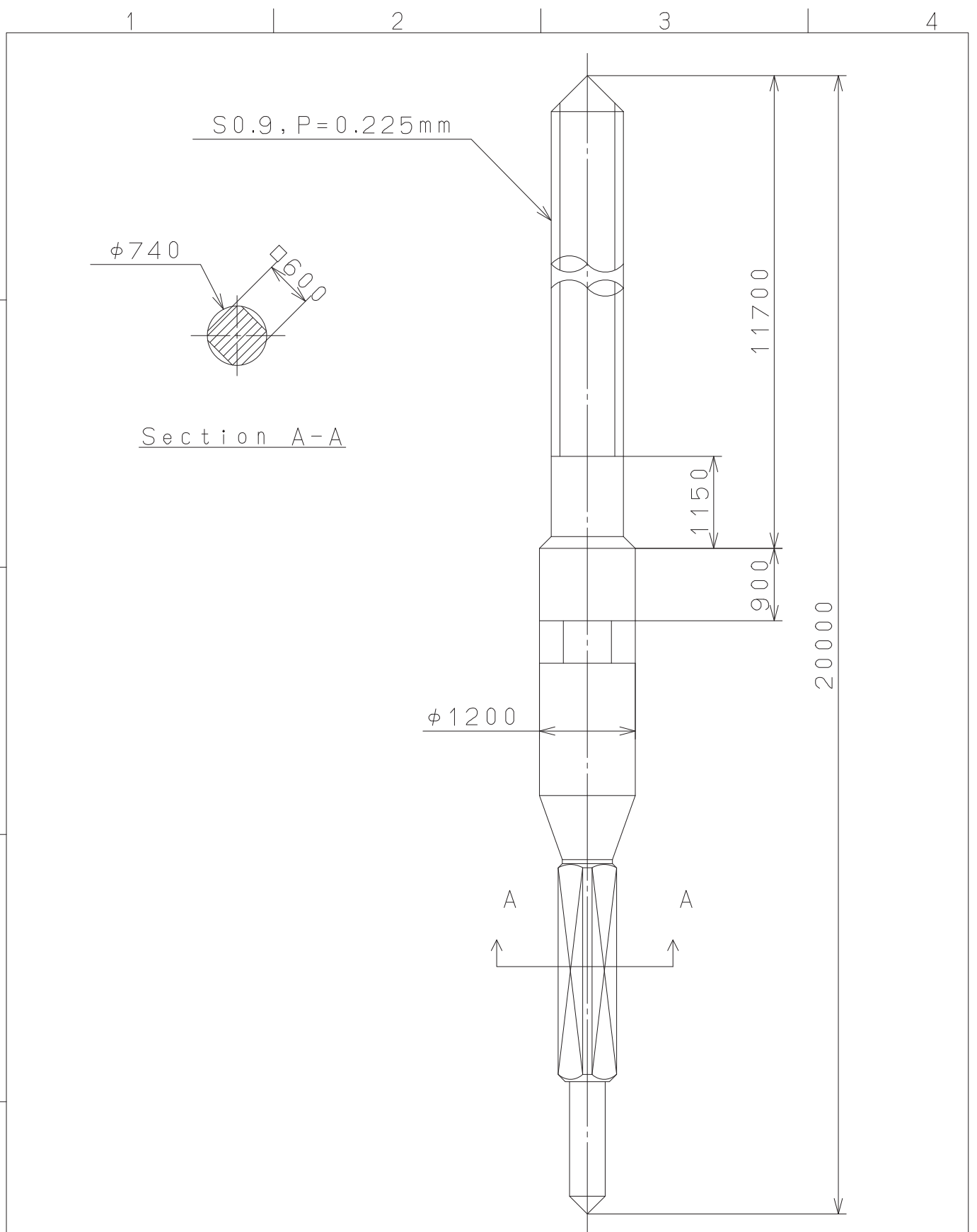
This drawing is provisional and subject to our reconfirmation and/or revision without notice.



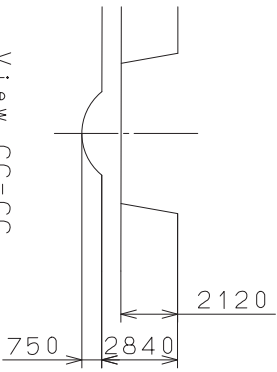
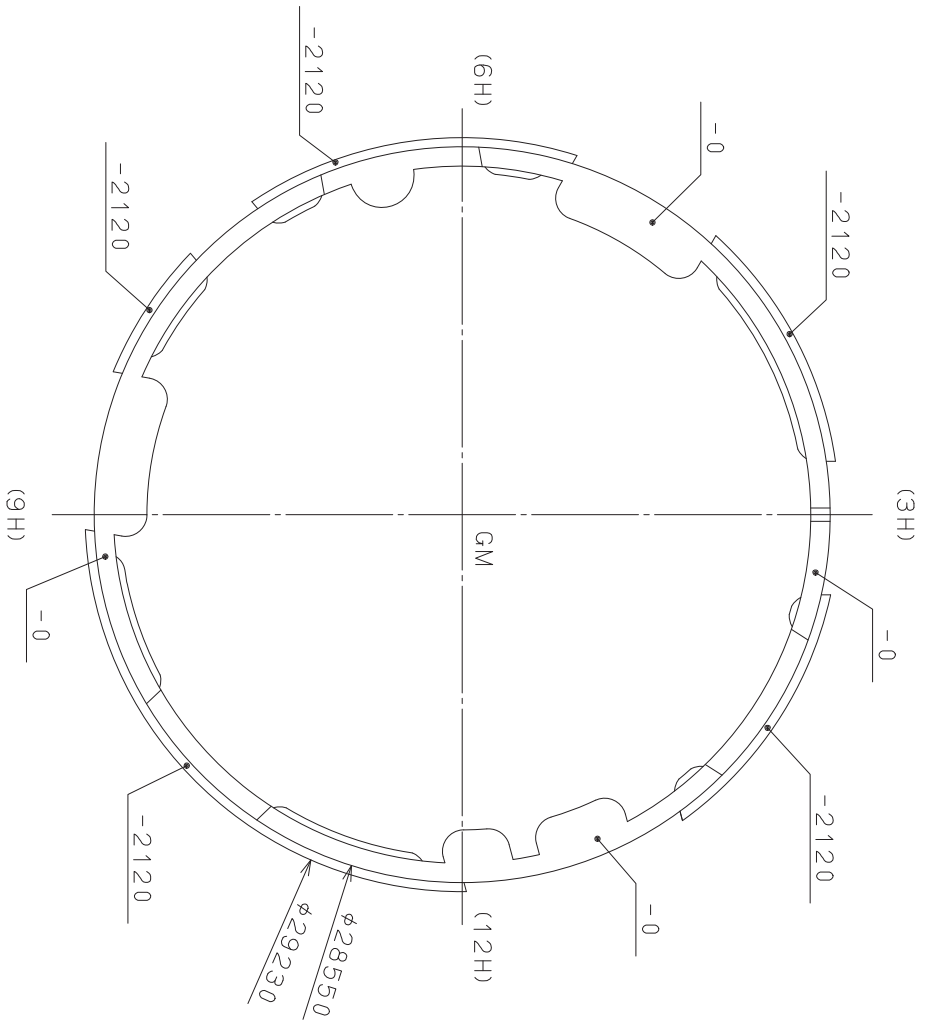
△			Quantity		Cal.NO.:
△			Unit	1 / 1000 mm	821A
△			Scale	5 : 1	Parts No.:
△			Date		
△			Drawn		
Mark	Date	Description	Appr.	Checked	M. Kobayashi
Alterations			Approved	Name:	
Material			Indications for Dial		
Heat Treatment			Drawing No.: 821AD000		
Hardness			<div style="text-align: center;">MIYOTA</div>		
Plating					

2008/11/14 (11:30:42)

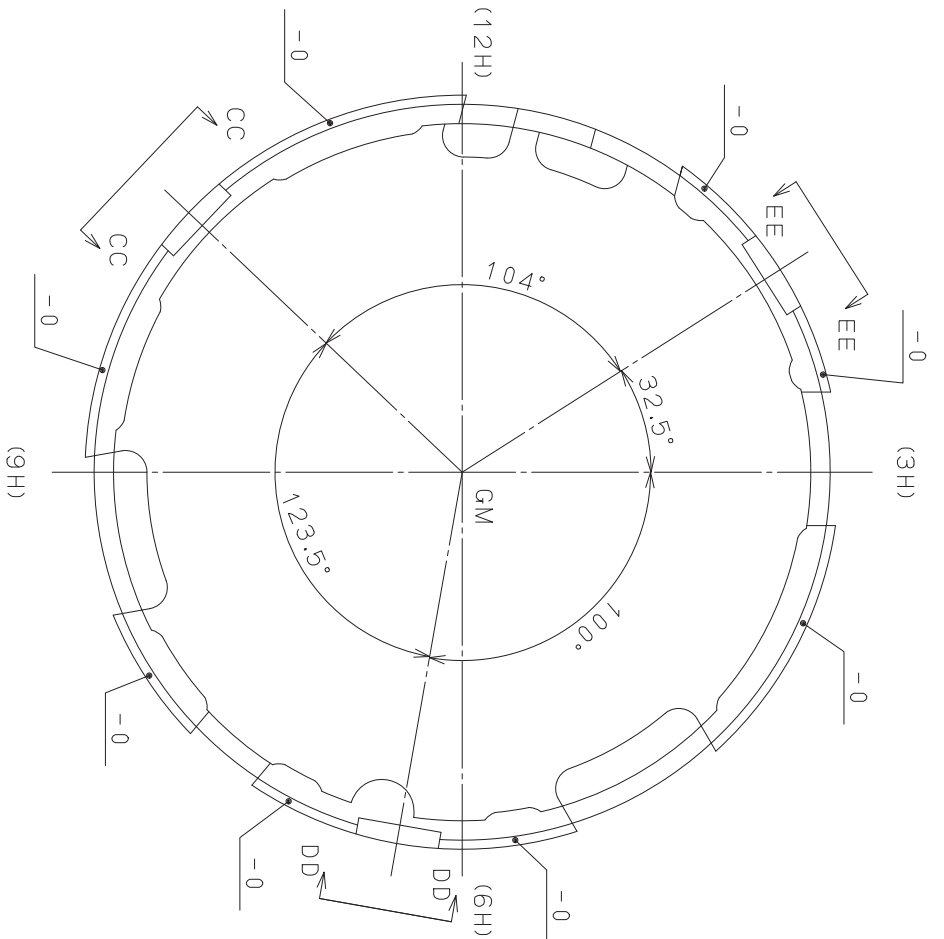
This drawing is provisional and subject to our reconfirmation and/or revision without notice.



△			Quantity		Cal.NO.:
△			Unit	1/1000mm	
△			Scale	15:1	Parts No.:
△			Date		065-212
△			Drawn		
Mark	Date	Description	Appr.	Checked	Name:
		Alterations		Approved	SETTING STEM
Material					Drawing No.:2120S001
Heat Treatment				General Tolerances	MIYOTA
Hardness				Dimensions	
Plating				Angles	
					CITIZEN WATCH CO.,LTD. TOKYO,JAPAN



View CC-CC
DD-DD, EE-EE



△	Quantity	1/1000 mm	Cal. No.:
△	Unit	5 : 1	Parts No.:
△	Scale	500-710	Name:
△	Date		Casing Holder
△	Date		Drawing No.: 8200E002
△	Drawn		
Mark	Date	Appr.	Checked
Alterations	Description	Appr.	Checked
Material			
Heat Treatment			
Hardness			
Plating			
	General Tolerances		
	Dimensions		
	Angles		

MIYOTA

CITIZEN WATCH CO., LTD. TOKYO, JAPAN