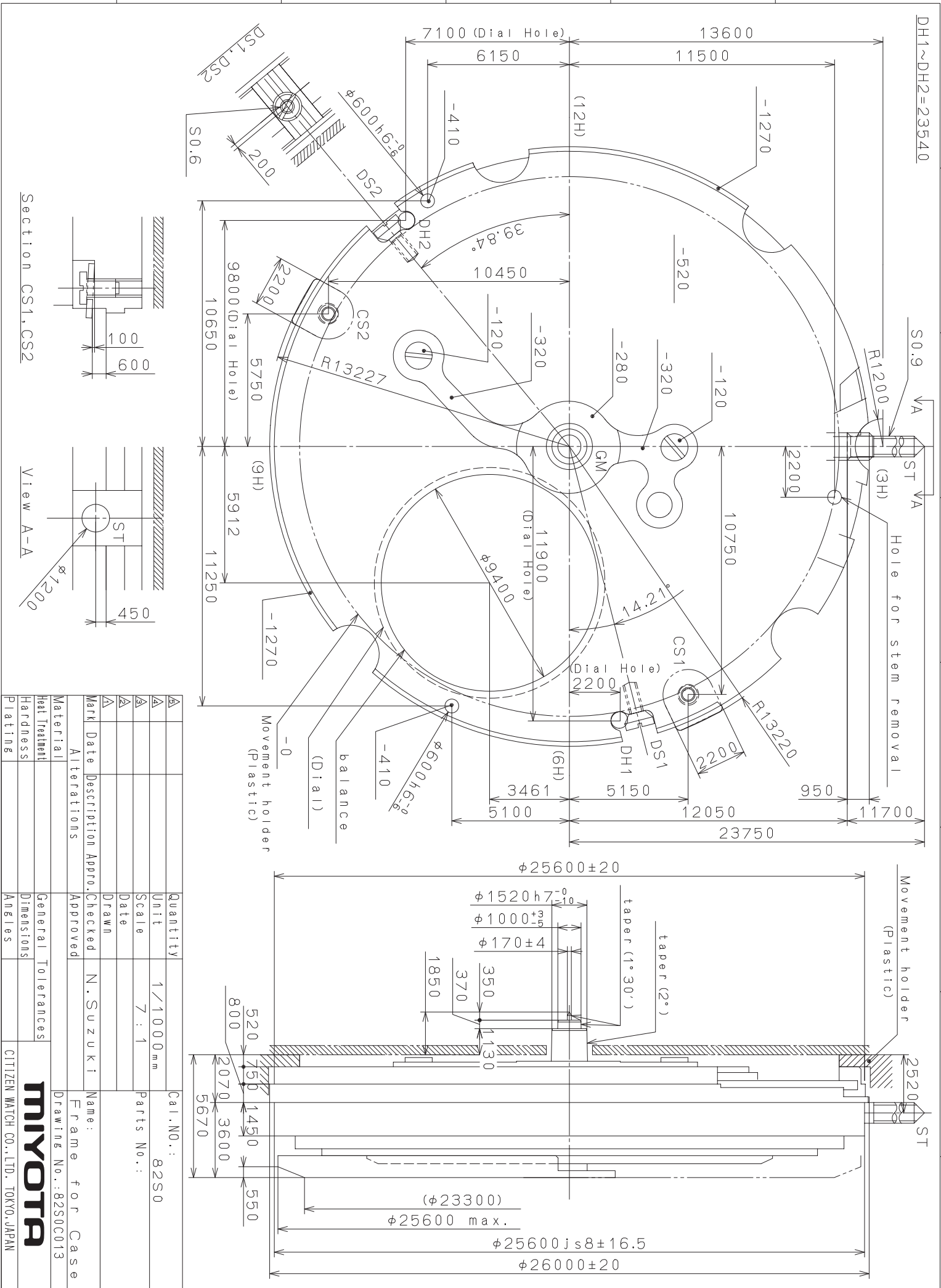
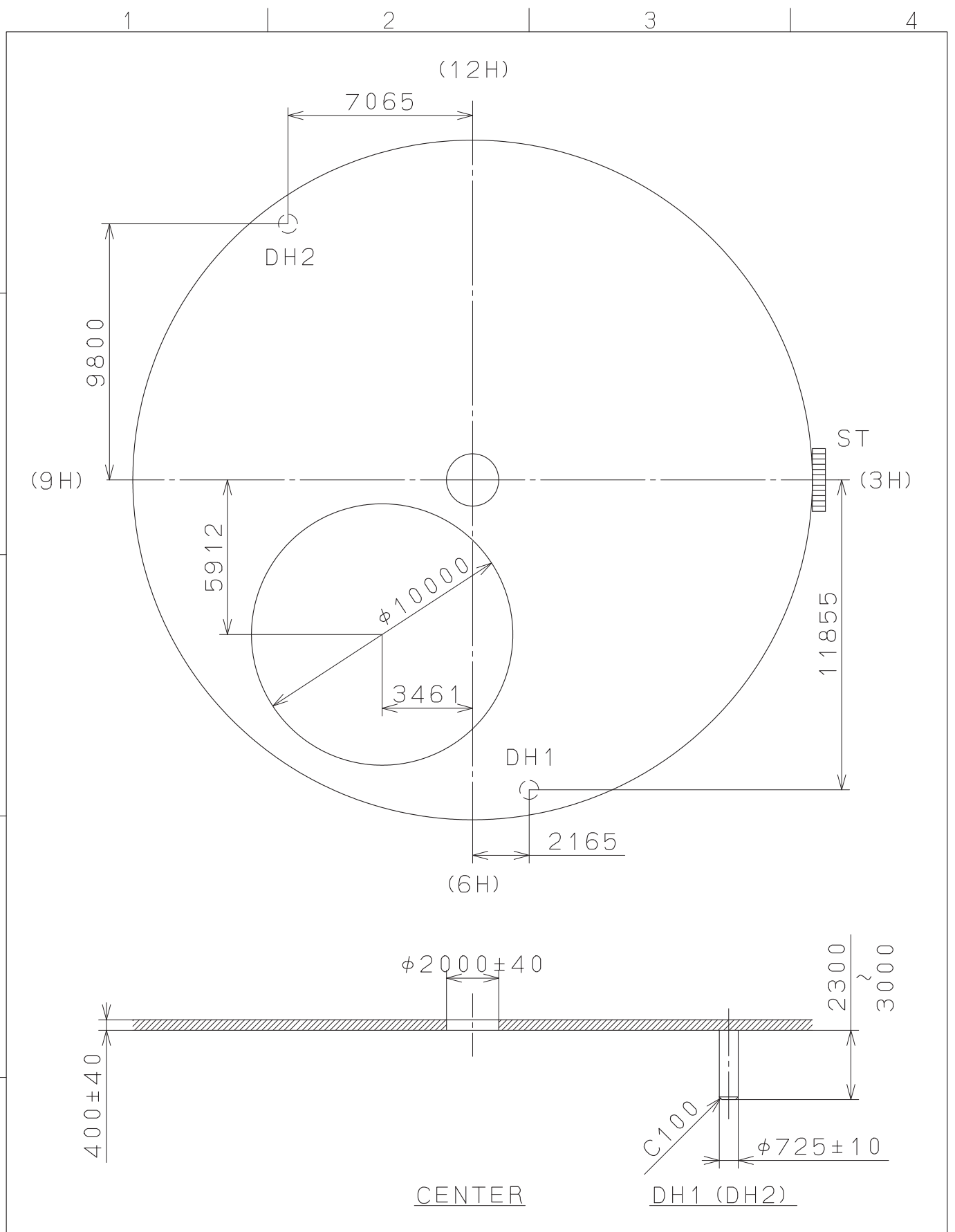


This drawing is provisional and subject to our reconfirmation and/or revision without notice.



2008/05/13 (14:06:23)

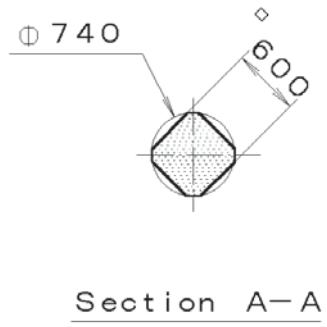
This drawing is provisional and subject to our reconfirmation and/or revision without notice.



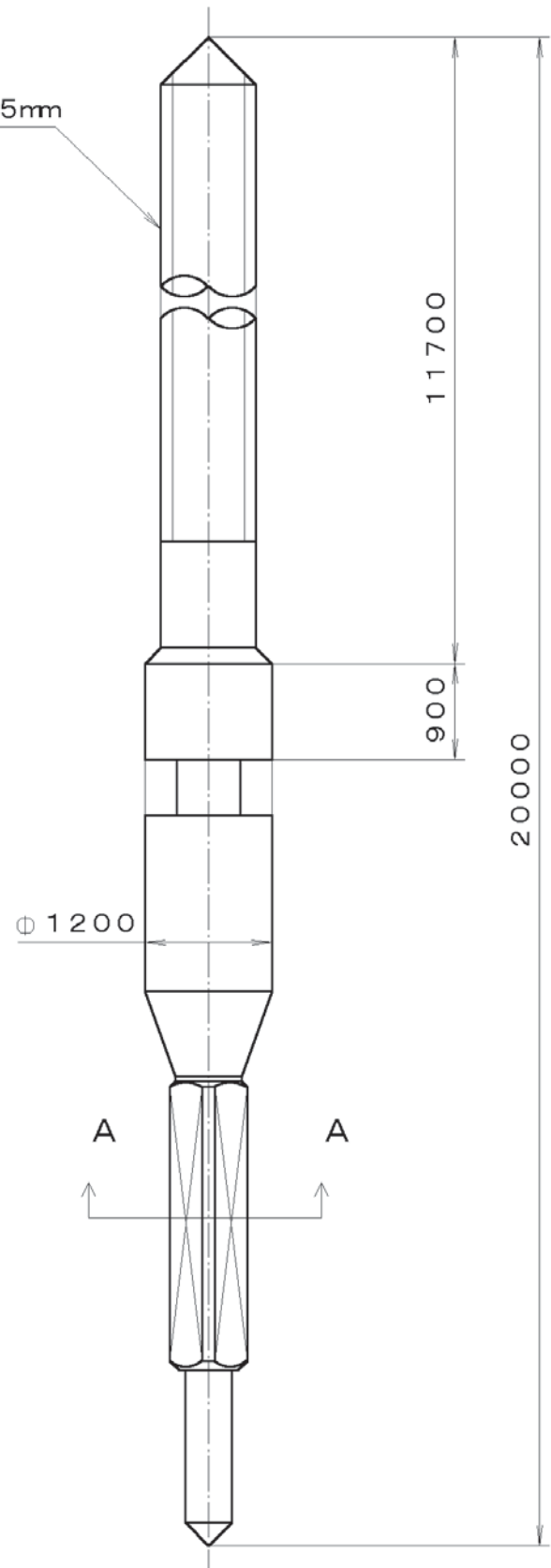
△5			Quantity		Cal.NO.:
△4			Unit	1/1000mm	82S0-21A
△3			Scale	5:1	Parts No.:
△2			Date		
△1			Drawn		
Mark	Date	Description	Appr.	Checked	Name:
		Alterations	Approved	N. Suzuki	Indications for Dial
Material					Drawing No.: 82S0D000
Heat Treatment			General Tolerances	MIYOTA CITIZEN WATCH CO., LTD. TOKYO, JAPAN	
Hardness			Dimensions		
Plating			Angles		

This drawing is provisional and subject to our reconfirmation and/or revision without notice.

xxx T I P W (01) xxx (2100 1121) 00-09-18

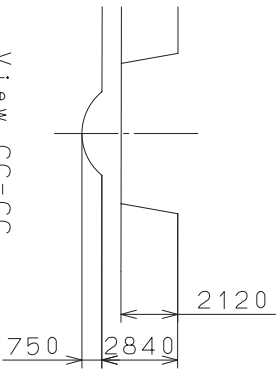
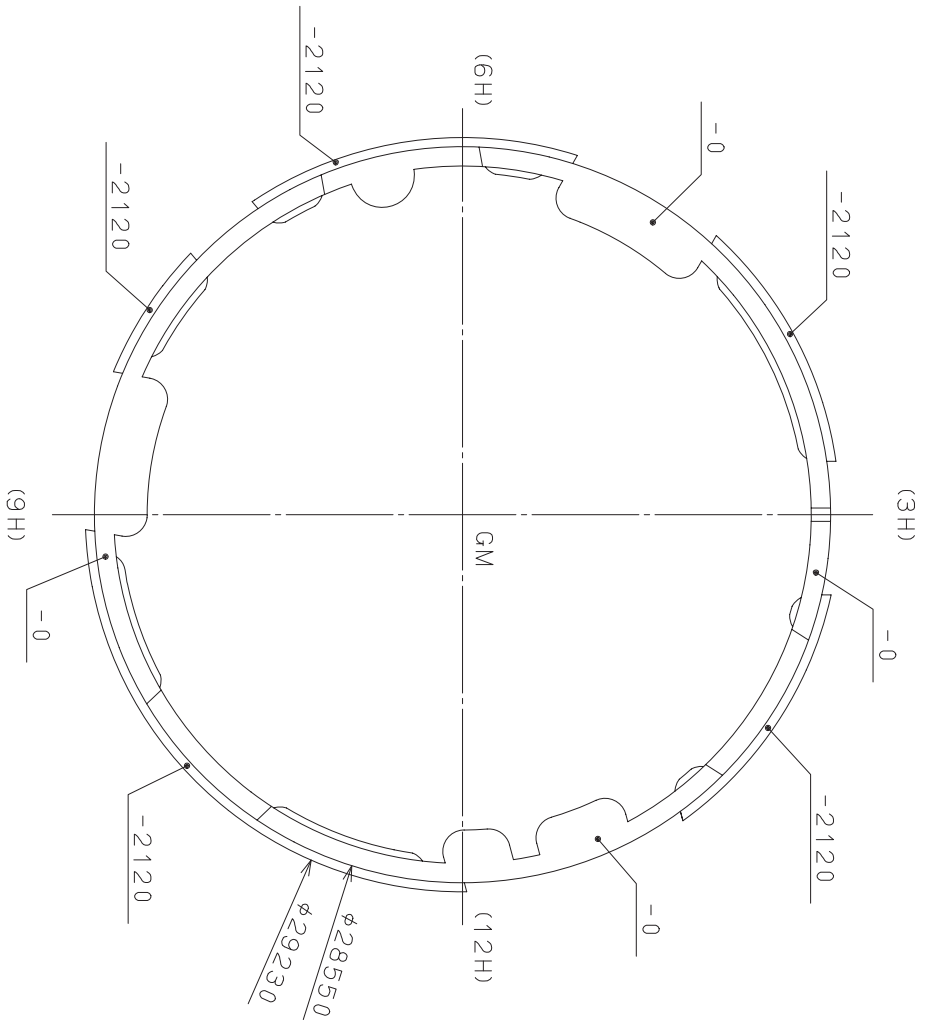


S0. 9, P=0. 225mm

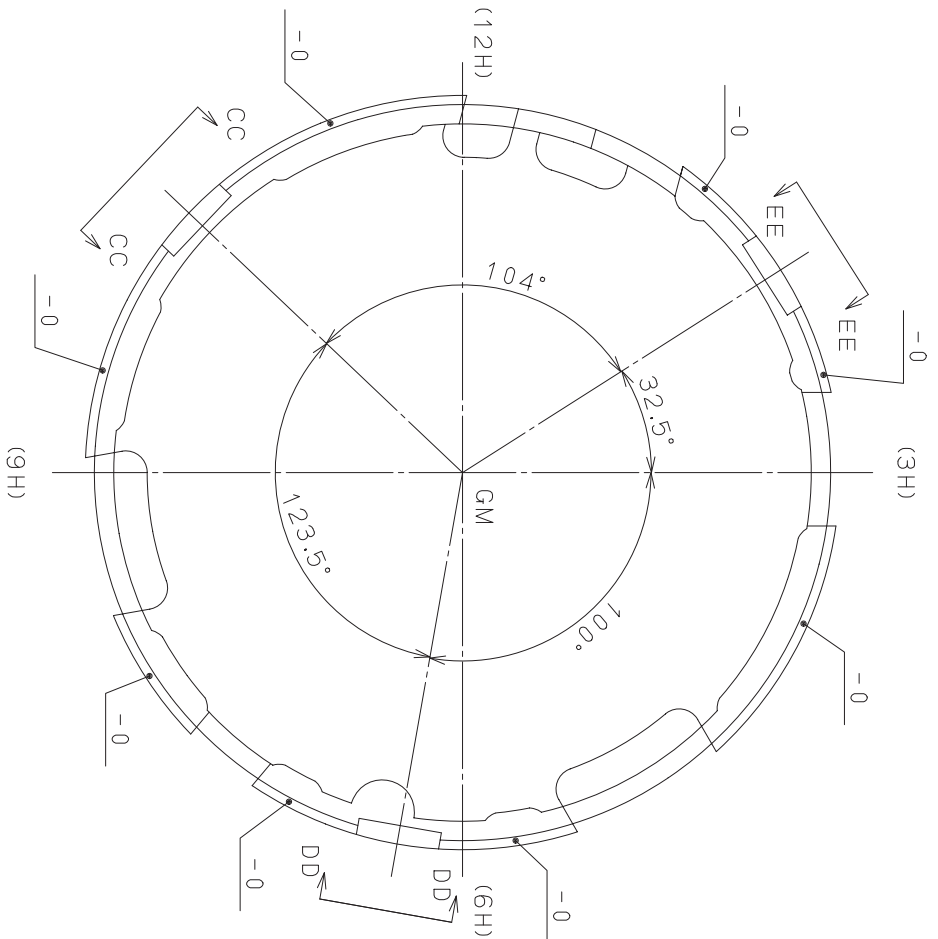


7		Quantity		Cal. No. :
6		Unit	1/1000 mm	
5		Scale	15:1	Parts:
4		Date		065-212
3		Drawn		Name:
2		Checked	T. Hiruta	SETTING STEM
1		Approved		Drawing No. : 2120S000
Material				
Heat Treatment		General Tolerances		
Hardness		Dimensions		
Plating		Angles		

CITIZEN WATCH CO., LTD.
TOKYO, JAPAN



View CC-CC
DD-DD, EE-EE



△	Quantity	1/1000 mm	Call. NO.:
△	Unit	5 : 1	Parts No.:
△	Scale	500-710	
△	Date		
△	Date		
△	Drawn		
Mark	Date	Appr.	Checked
Alterations	N. Suzuki		
Material	Casing Holder		
Heat Treatment	Drawing No.: 8200E002		
Hardness	General Tolerances		
Plating	Dimensions		
	Angles		
	CITIZEN WATCH CO., LTD. TOKYO, JAPAN		

MIYOTA