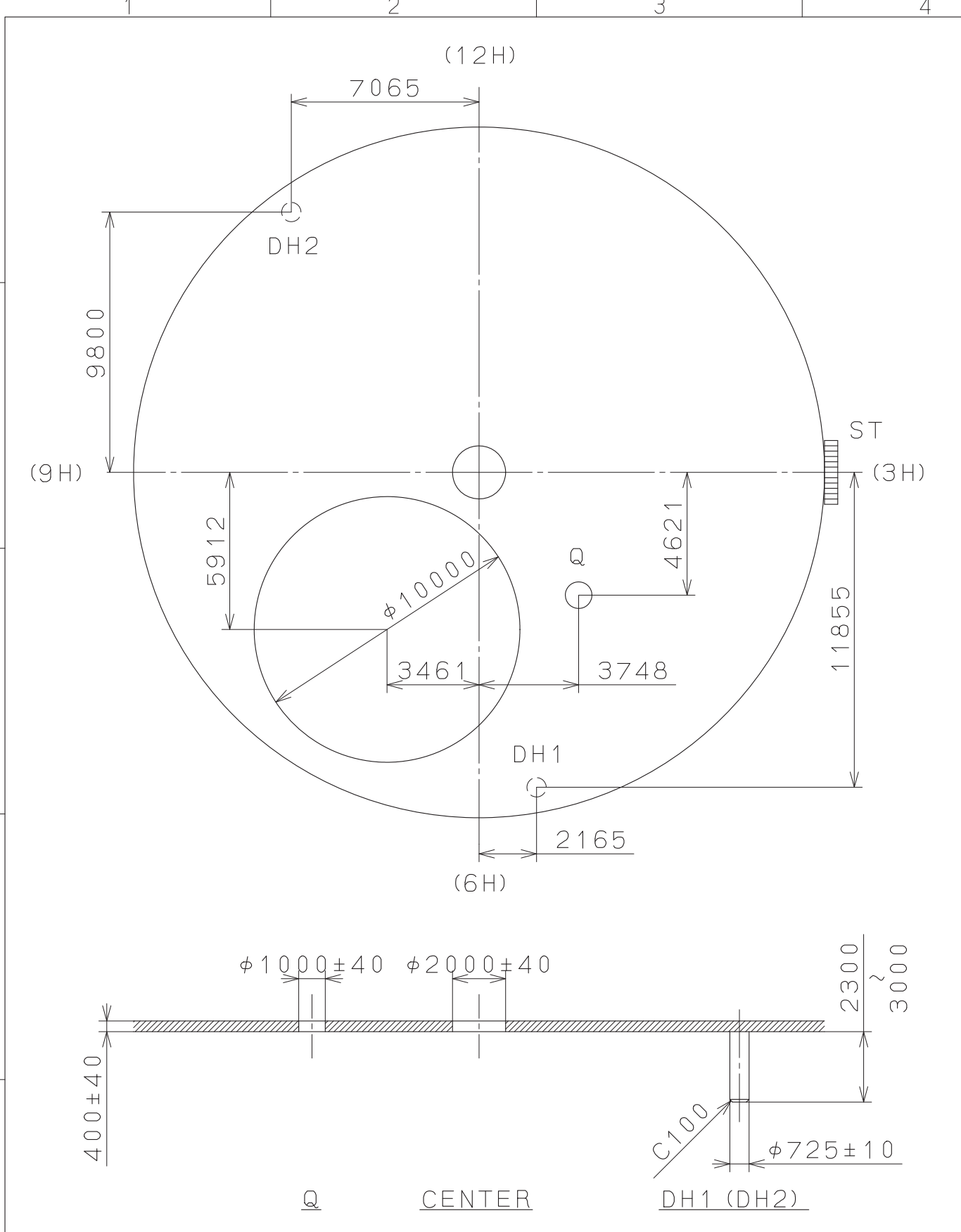




2008/05/13 (14:07:18)

This drawing is provisional and subject to our reconfirmation and/or revision without notice.

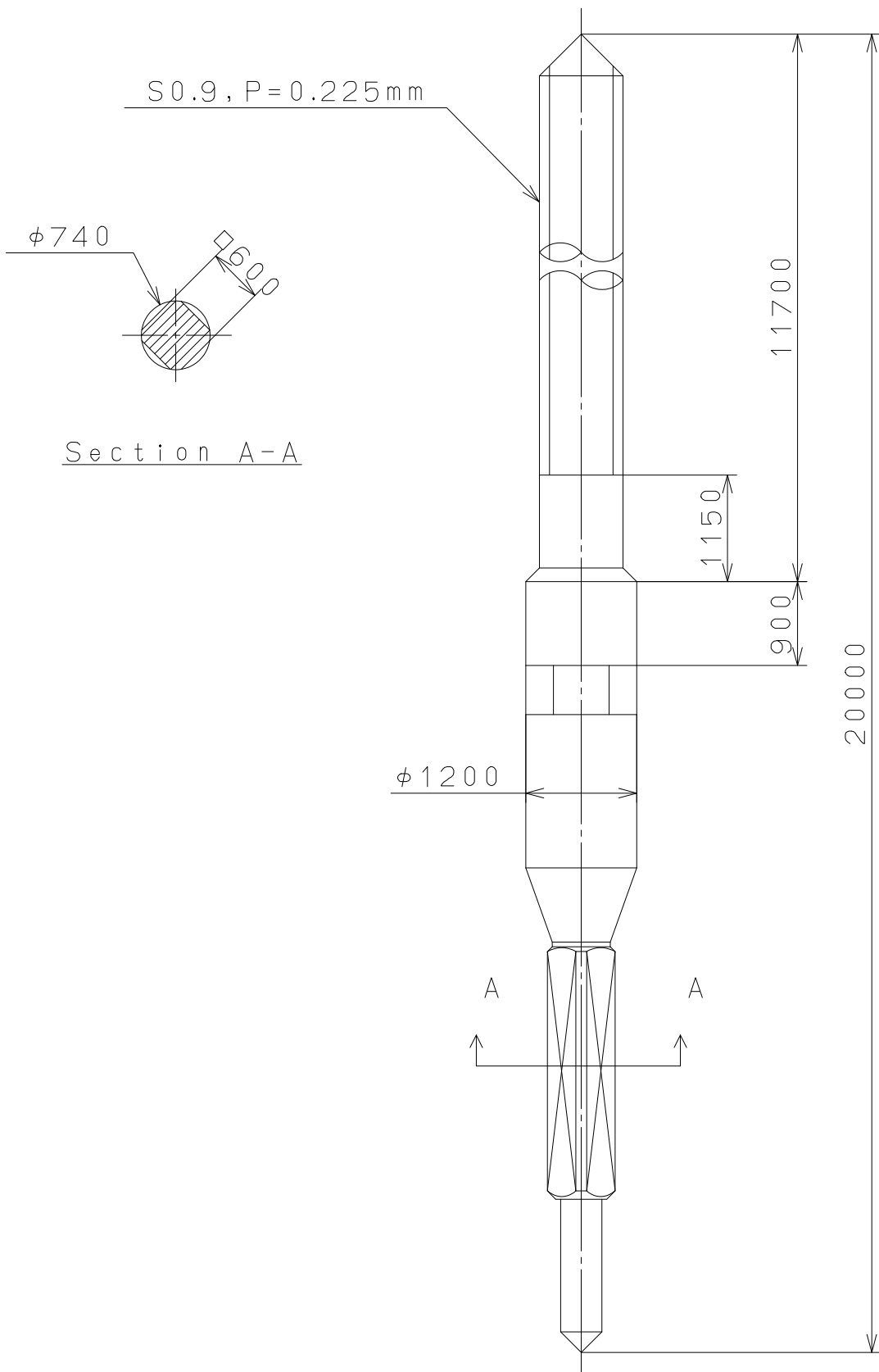


△			Quantity		Cal.NO.:
△			Unit	1 / 1000 mm	82S5-21A
△			Scale	5 : 1	Parts No.:
△			Date		
△			Drawn		
Mark	Date	Description	Appr.	Checked	Name:
		Alterations		Approved	Indications for Dial
Material					Drawing No.: 82S5D000
Heat Treatment			General Tolerances		<b>MIYOTA</b>
Hardness			Dimensions		
Plating			Angles		
					CITIZEN WATCH CO., LTD. TOKYO, JAPAN

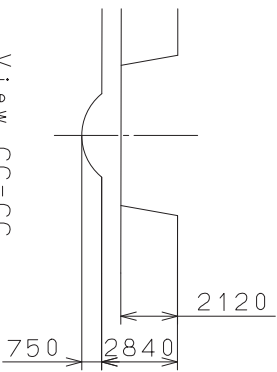
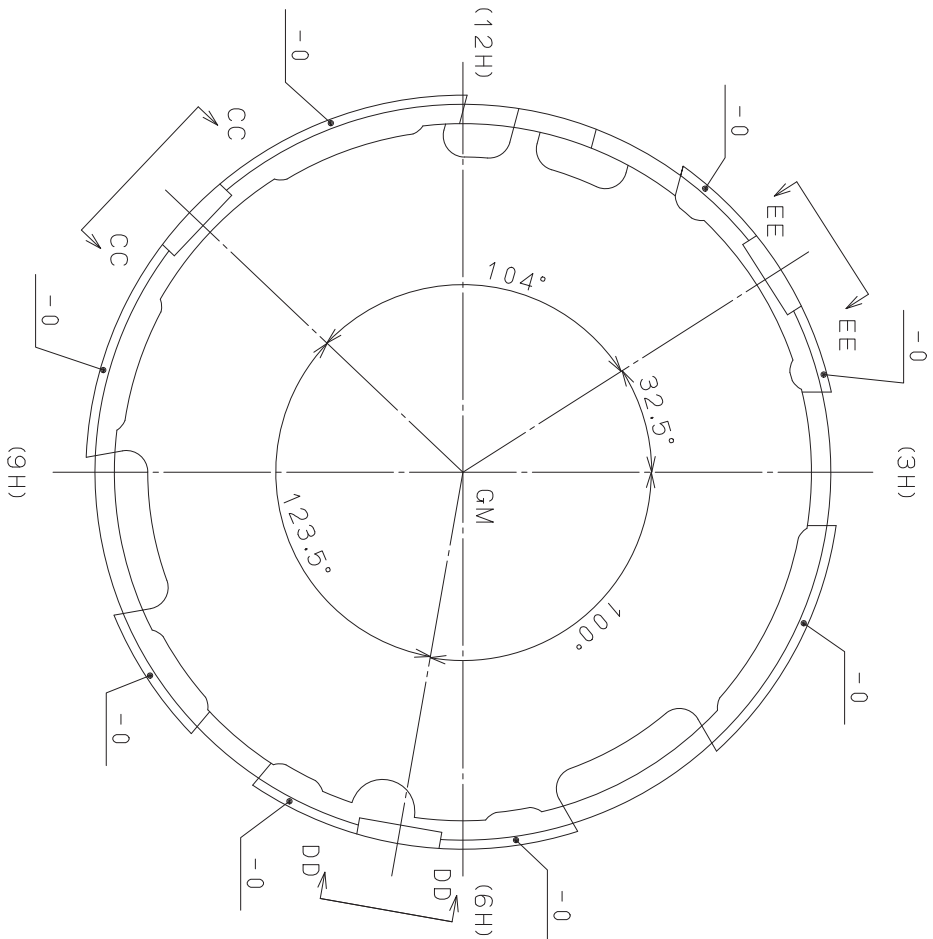
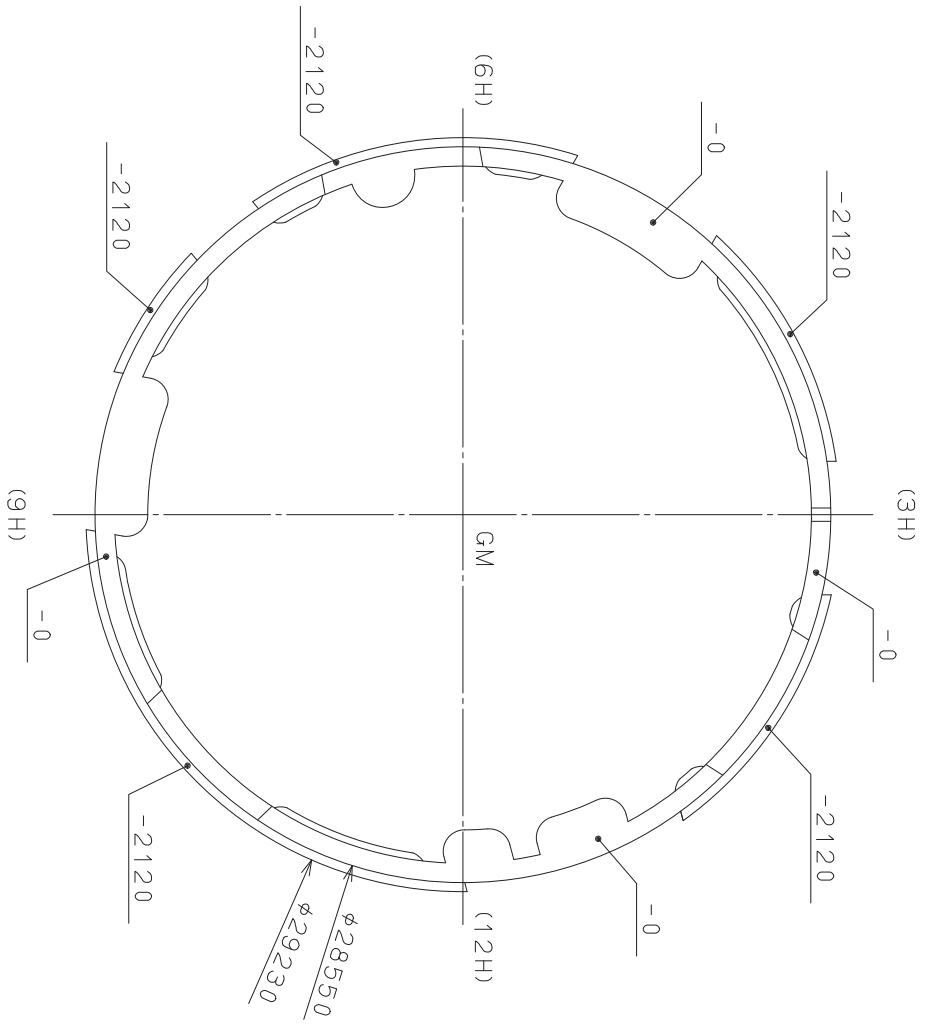
2008/11/14 (11:30:42)

This drawing is provisional and subject to our reconfirmation and/or revision without notice.

A  
B  
C  
D  
E  
F



⑤			Quantity		Cal.NO.:
④			Unit	1/1000mm	
③			Scale	15:1	Parts No.:
②			Date		065-212
①			Drawn		Name:
Mark	Date	Description	Appro.	Checked	N. Suzuki
Alterations			Approved	SETTING STEM	
Material					Drawing No.: 2120S001
Heat Treatment	General Tolerances				<b>MIYOTA</b>
Hardness	Dimensions				
Plating	Angles				
					CITIZEN WATCH CO., LTD. TOKYO, JAPAN



View CC-CC  
DD-DD, EE-EE

△	Quantity	1/1000 mm	Cal. No.:
△	Unit	5 : 1	Parts No.:
△	Scale	500-710	
△	Date		
△	Date		
△	Drawn		
Mark	Date	Appr.	Checked
Alterations	N. Suzuki		
Material	Casing Holder		
Heat Treatment	Drawing No.: 8200E002		
Hardness	General Tolerances		
Plating	Dimensions		
	Angles		
	CITIZEN WATCH CO., LTD. TOKYO, JAPAN		
	<b>MIYOTA</b>		