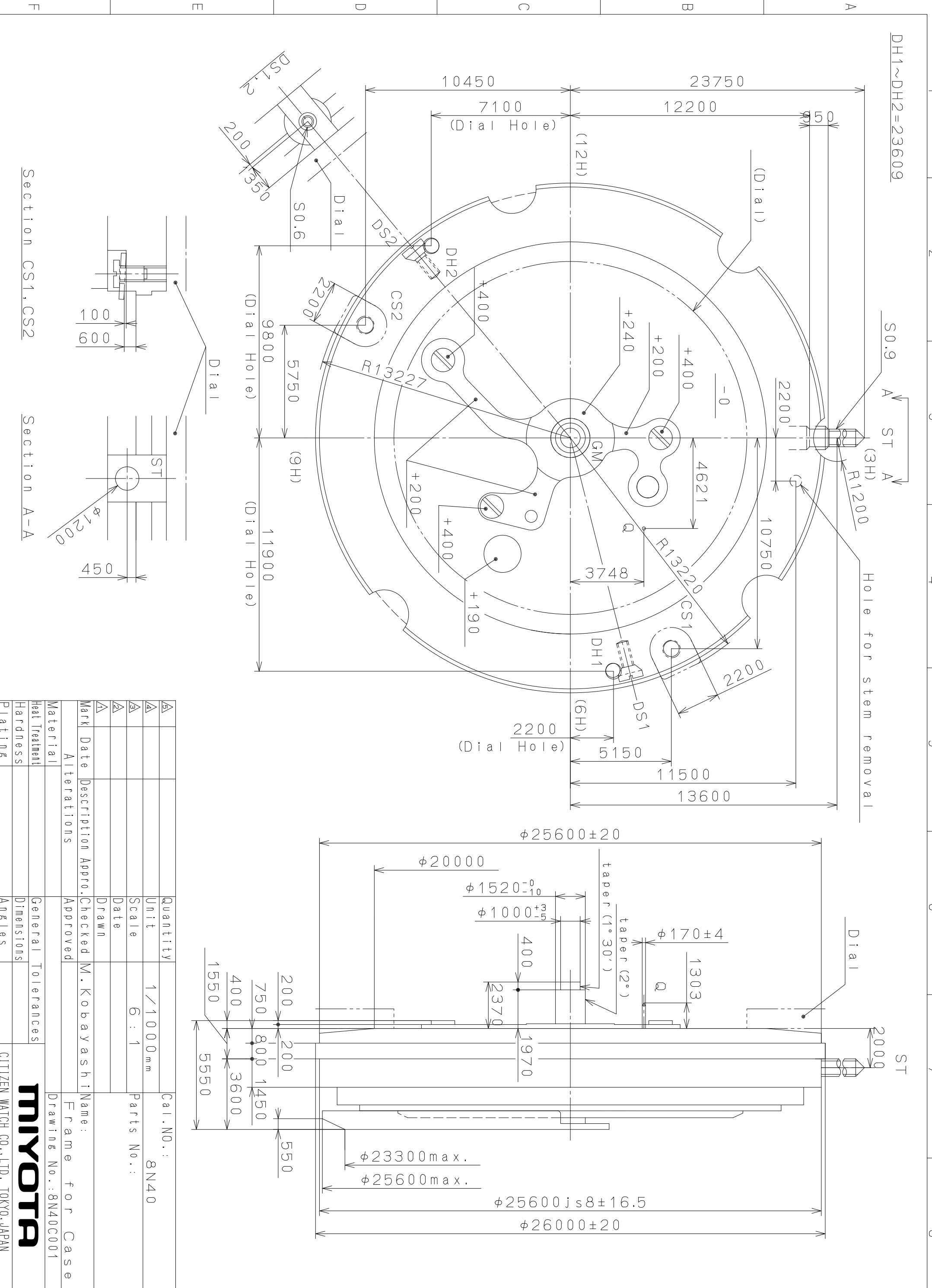


This drawing is provisional and subject to our reconfirmation and/or revision without notice.

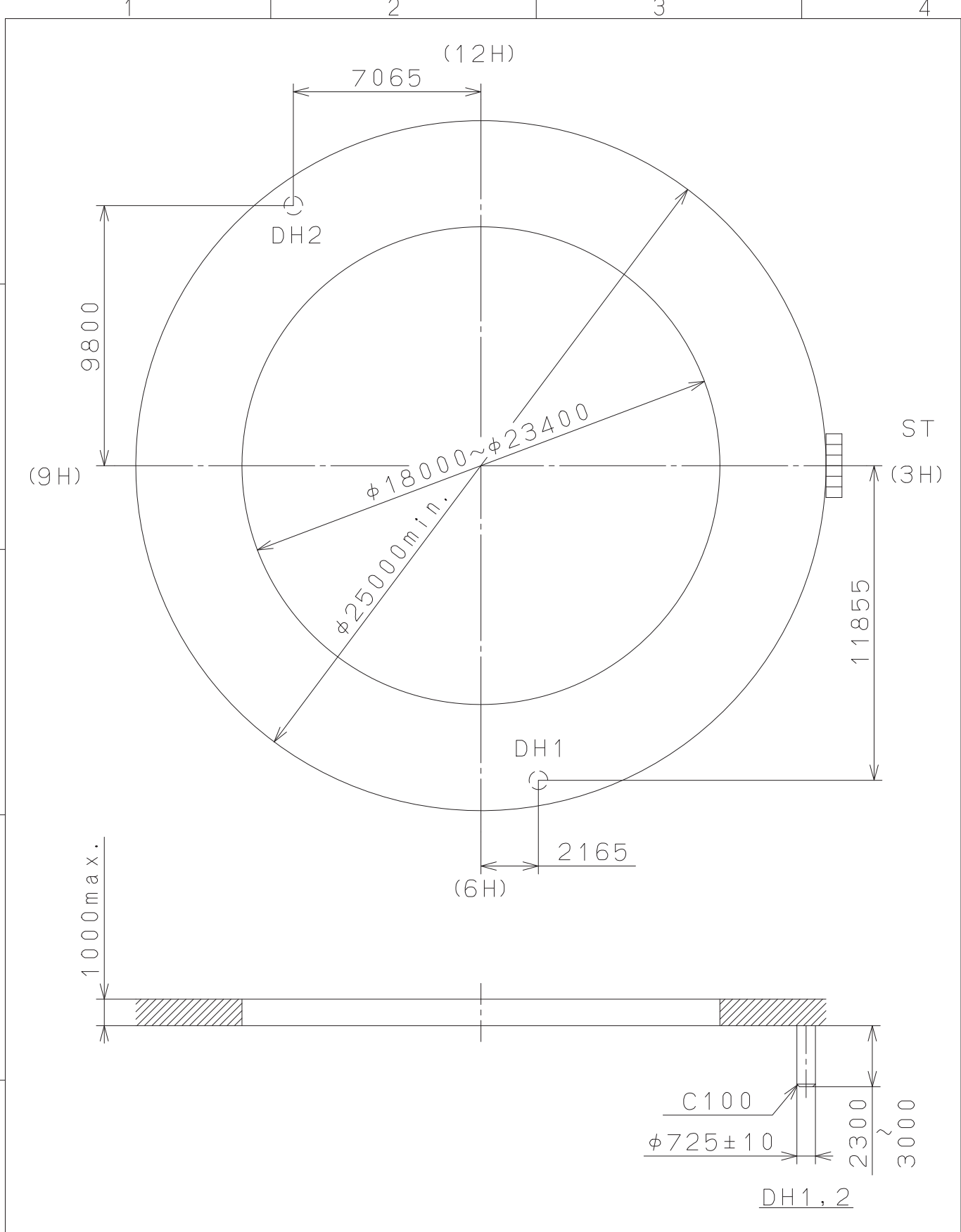


Section CS1,CS2

Section A-A

Material	Alterations	Quantity	Unit	Cal. NO.:
Heat Treatment	Date	1	1/1000 mm	8N40
Hardness	Description	Scale	Date	Parts No.:
Plating	Approved	6	1	
	Checked	Name: M. Kobayashi		
	Drawn	Frame for Case		
	Approved	Drawing No.: 8N40C001		
		MIYOTA		
		CITIZEN WATCH CO., LTD. TOKYO, JAPAN		

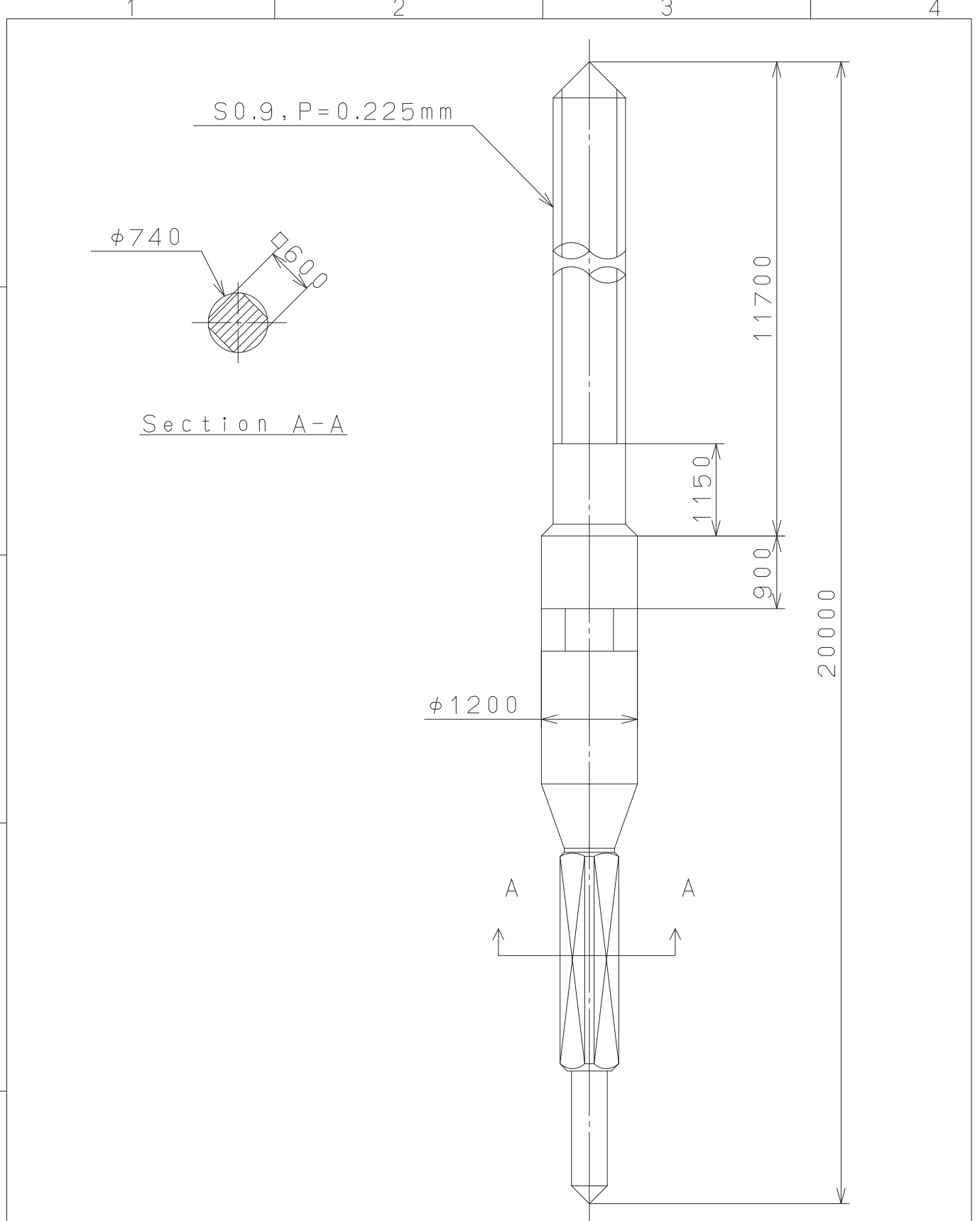
This drawing is provisional and subject to our reconfirmation and/or revision without notice.



⑤			Quantity		Cal.NO.: 8N40-E21
④			Unit	1 / 1000 mm	8N40-D21
③			Scale	5 : 1	Parts No.:
②			Date		
①			Drawn		
Mark	Date	Description	Appr.	Checked	M. Kobayashi
Alterations			Approved	Name:	
Material					Indications for Dial
Heat Treatment					Drawing No.: 8N40D000
Hardness					MIYOTA
Plating					

2008/11/14 (11:30:42)

This drawing is provisional and subject to our reconfirmation and/or revision without notice.



⑤			Quantity		Cal.NO.:
④			Unit	1/1000mm	
③			Scale	15:1	Parts No.:
②			Date		065-212
①			Drawn		Name:
Mark	Date	Description	Appr.	Checked	N. Suzuki
Alterations			Approved	SETTING STEM	
Material				Drawing No.: 2120S001	
Heat Treatment				MIYOTA CITIZEN WATCH CO., LTD. TOKYO, JAPAN	
Hardness					
Plating					