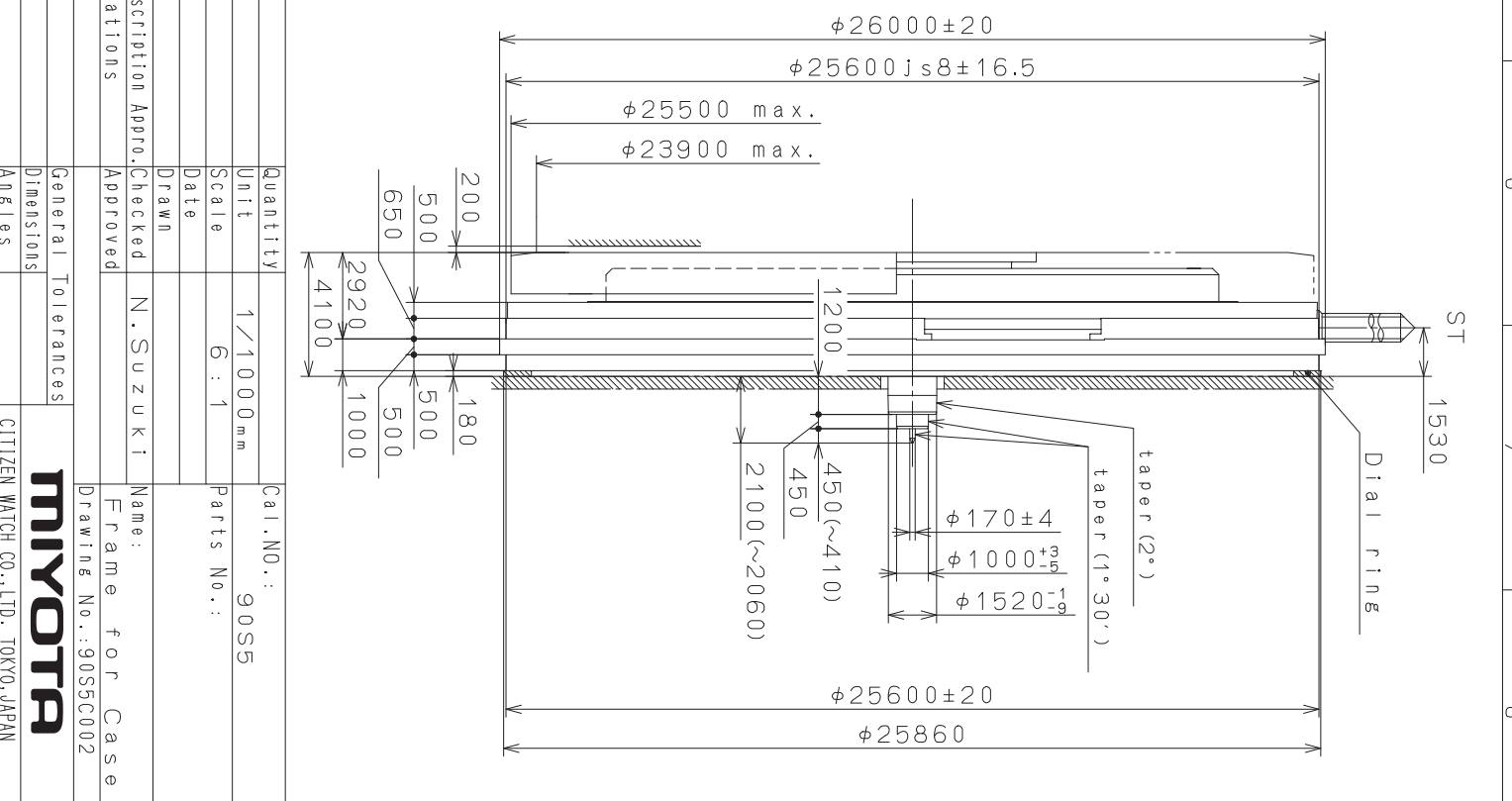
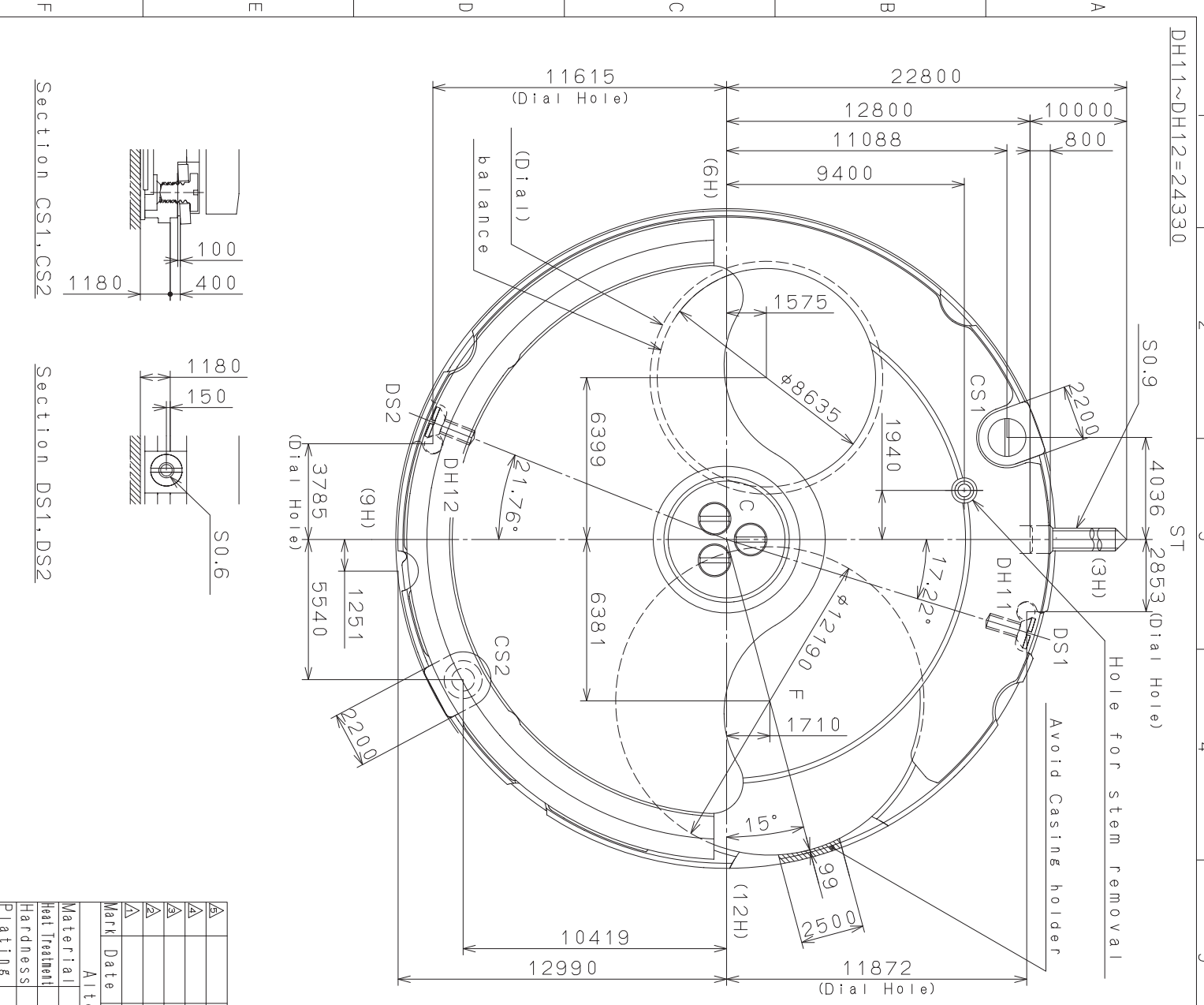
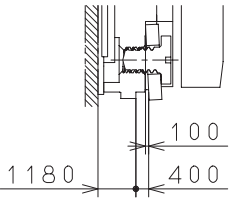


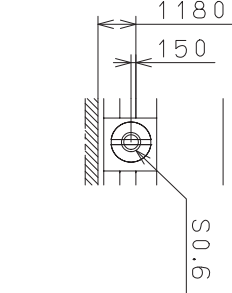
This drawing is provisional and subject to our reconfirmation and/or revision without notice.



Section CS1, CS2



Section DS1, DS2

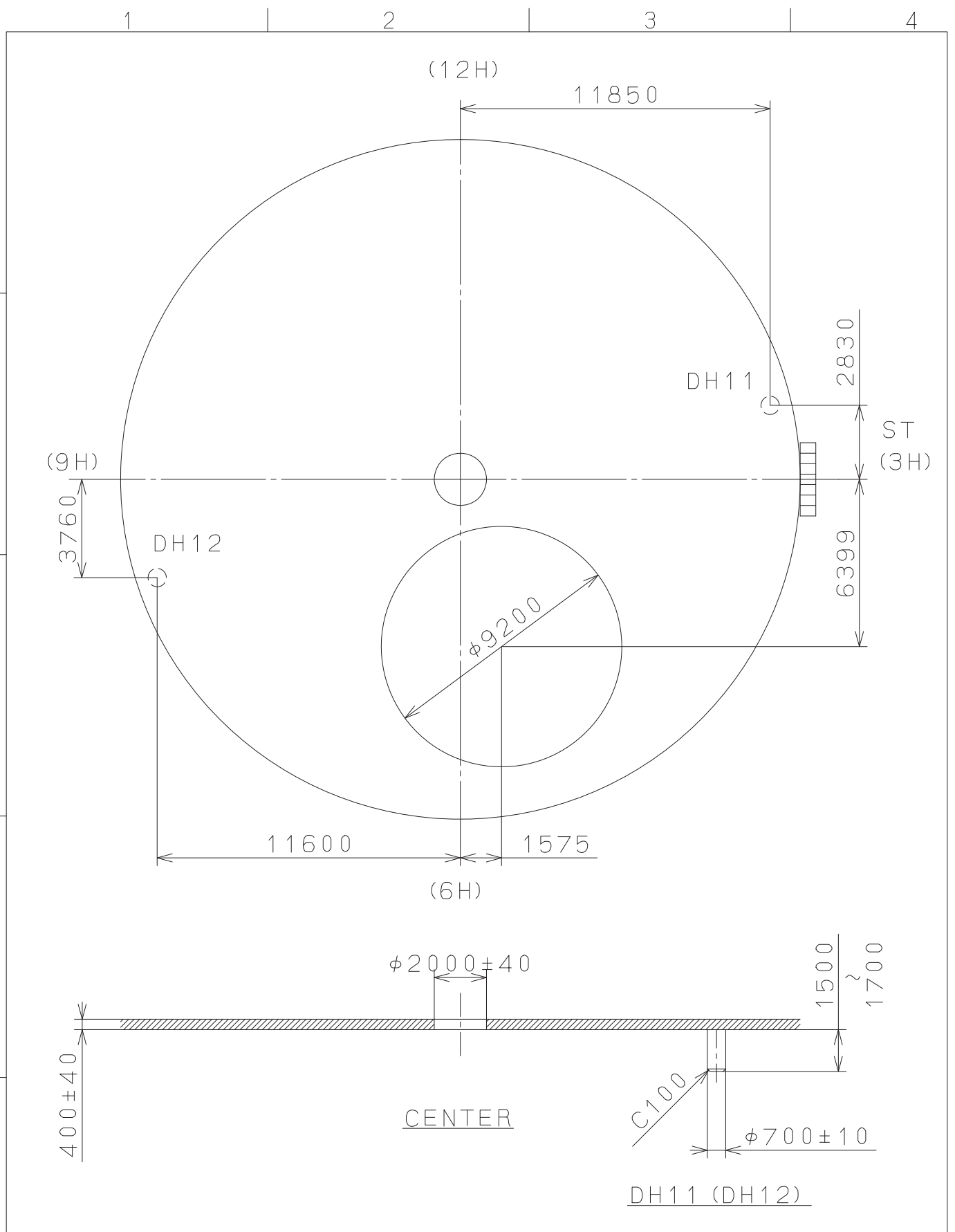


Material	Alterations	Mark	Date	Description	Appr.	Checked	N. Suzuki	Name:	Frame for Case
Heat Treatment		Quantity			Approved	Drawn			Drawing No.: 90S5C002
Hardness		Unit							
Plating		Scale							
		Date							
		Parts No.:							
		Cal. NO.:							
		Unit							
		Scale							
		Date							
		Drawn							
		Checked							
		Appr.							
		General Tolerances							
		Dimensions							
		Angles							

**MIYOTA**  
CITIZEN WATCH CO., LTD. TOKYO, JAPAN

2010/04/23 (10:35:29)

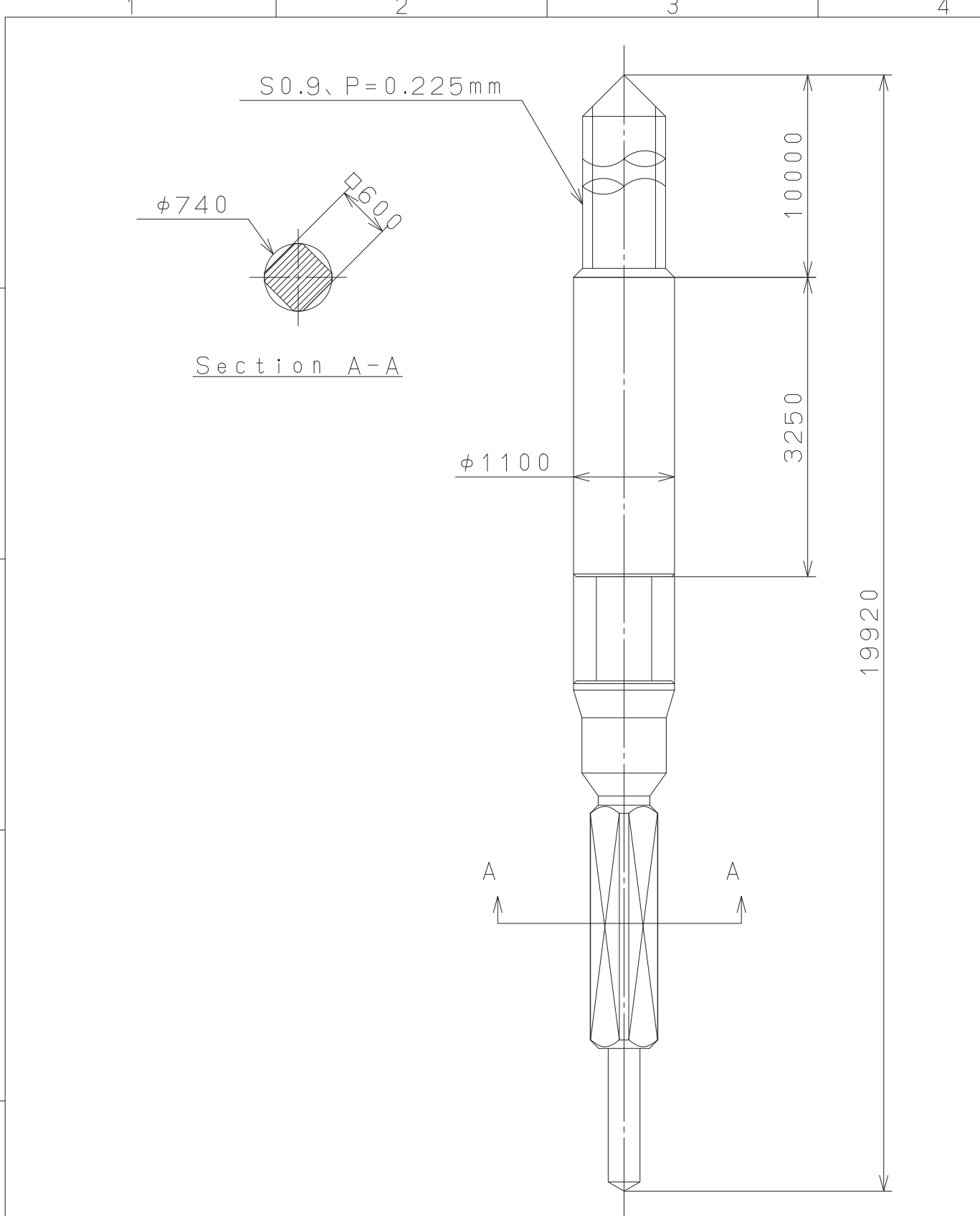
This drawing is provisional and subject to our reconfirmation and/or revision without notice.



△5			Quantity		Cal.NO.:
△4			Unit	1/1000mm	90S5-24A
△3			Scale	5:1	Parts No.:
△2			Date		
△1			Drawn		
Mark	Date	Description	Appr.	Checked	Name:
		Alterations		Approved	Indications for Dial
Material					Drawing No.: 90S5D000
Heat Treatment			General Tolerances		<b>MIYOTA</b>
Hardness			Dimensions		
Plating			Angles		
					CITIZEN WATCH CO., LTD. TOKYO, JAPAN

2009/03/19 (15:03:29)

This drawing is provisional and subject to our reconfirmation and/or revision without notice.



△5			Quantity		Cal.NO.:
△4			Unit	1/1000mm	
△3			Scale	17:1	Parts No.:
△2			Date		065-A05
△1			Drawn		Name:
Mark	Date	Description	Appr.	Checked	N. Suzuki
Alterations			Approved	SETTING STEM	
Material					Drawing No.: A050S000
Heat Treatment					<b>MIYOTA</b> CITIZEN WATCH CO., LTD. TOKYO, JAPAN
Hardness	General Tolerances				
Plating	Dimensions				
	Angles				