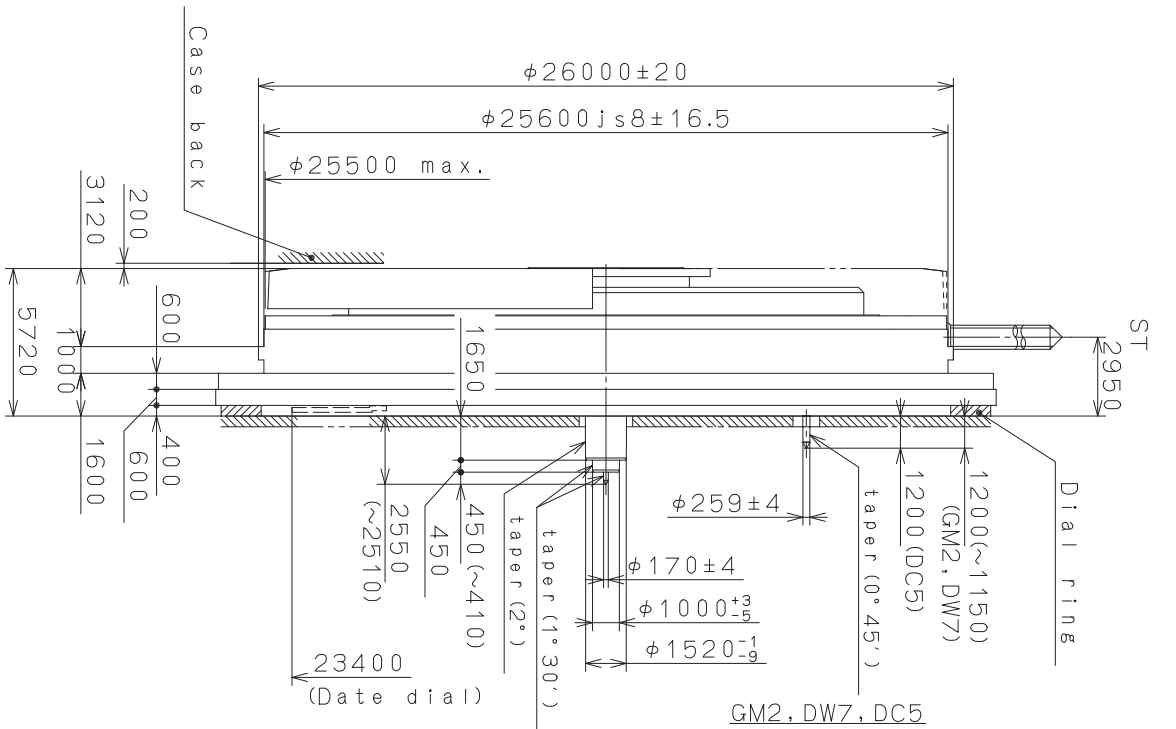
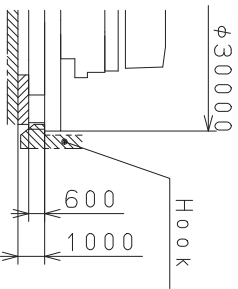
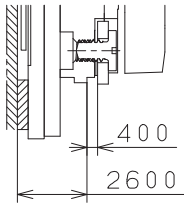
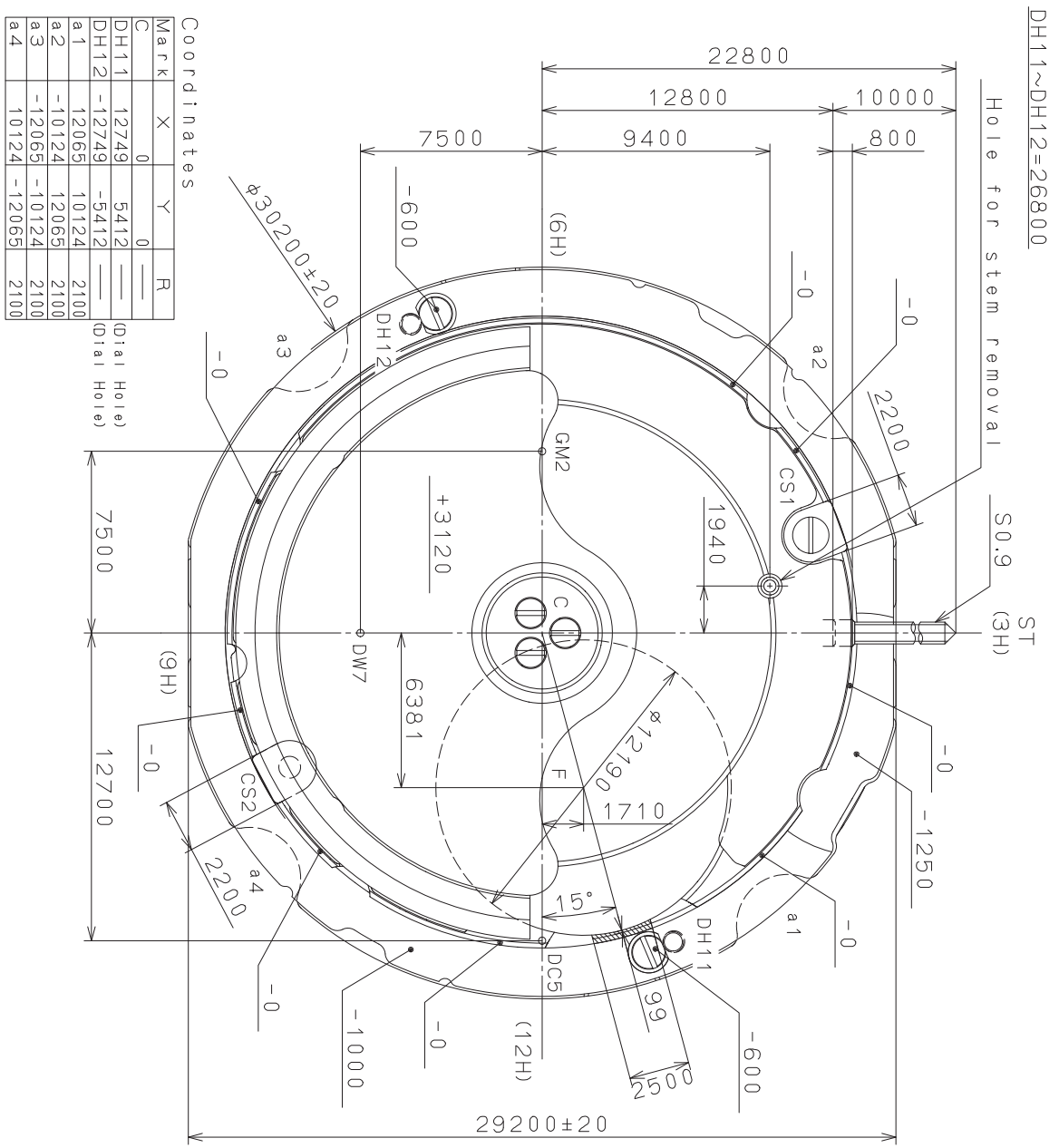


This drawing is provisional and subject to our reconfirmation and/or revision without notice.

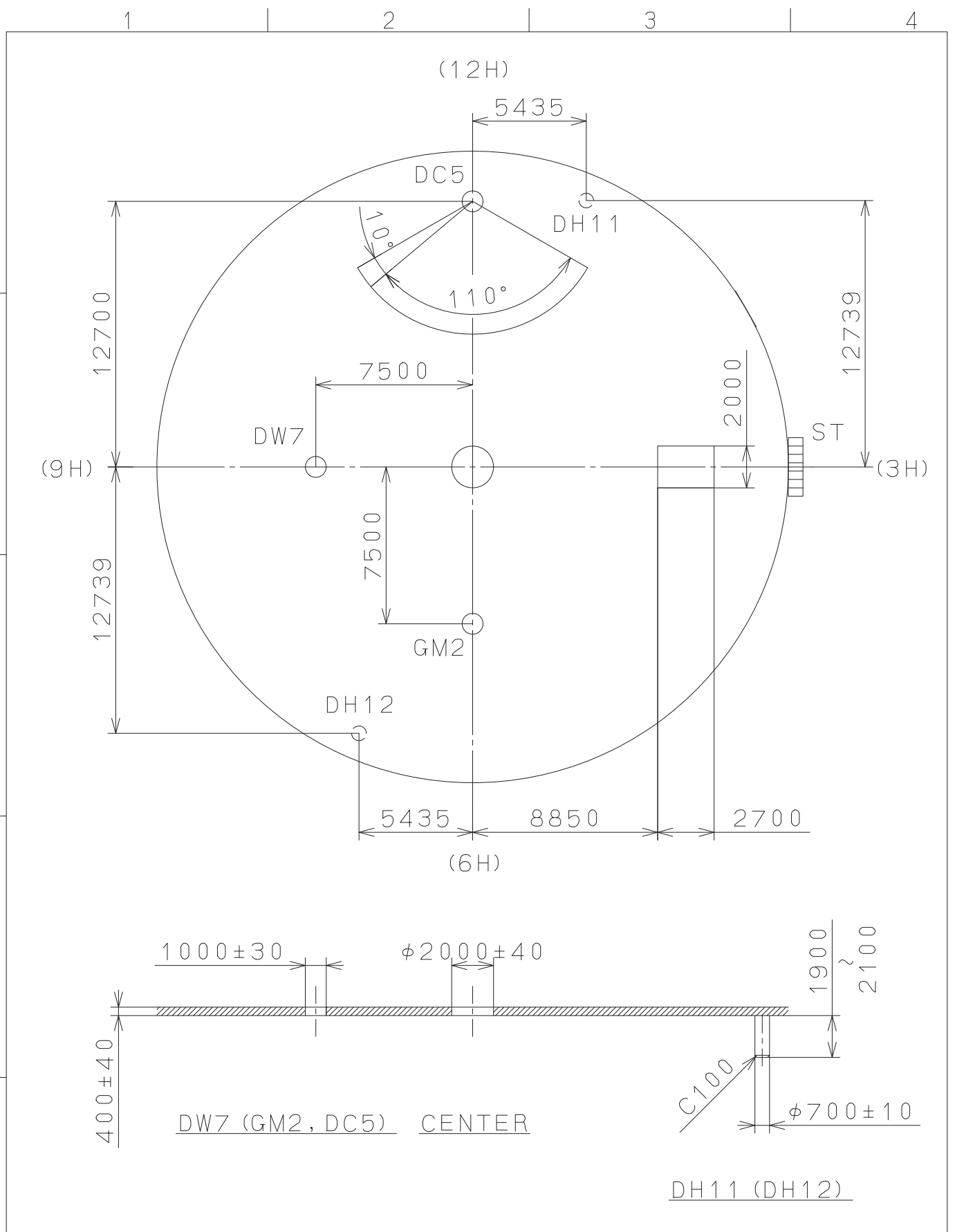


Quantity	Unit	Scale	Date	Drawn	Checked	Approved	Name
1	1/1000 mm	5 : 1					N. Suzuki
Alterations							Approved
Material							General Tolerances
Heat Treatment							Dimensions
Hardness							Angles
Plating							

Call. NO.: 9110
 Parts No.:
 Name: Frame for Case
 Drawing No.: 9110C001
MIYOTA
 CITIZEN WATCH CO., LTD. TOKYO, JAPAN

confidential papers 2012/12/05 (09:10:27)

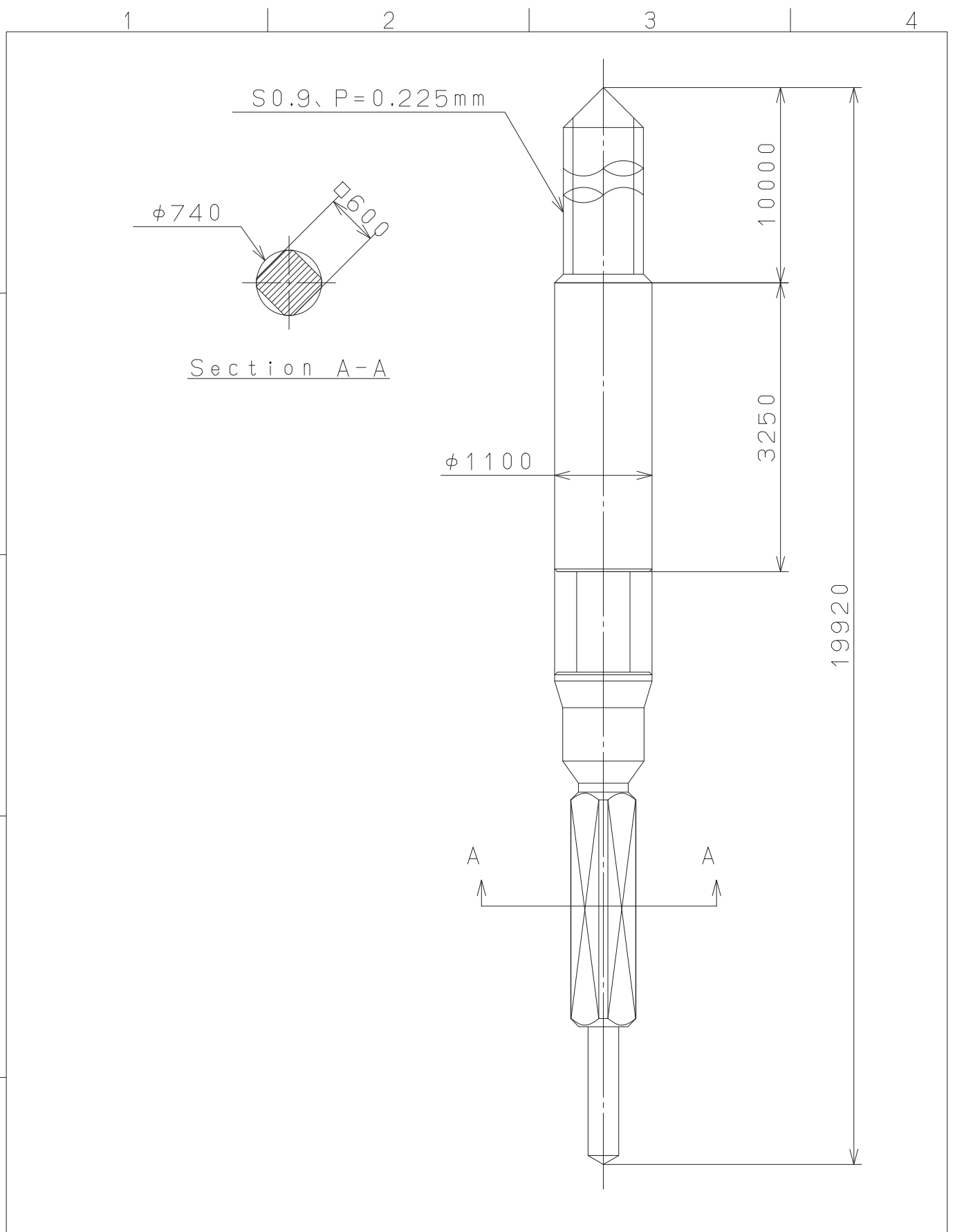
This drawing is provisional and subject to our reconfirmation and/or revision without notice.



△5			Quantity		Cal.NO.:
△4			Unit	1 / 1000 mm	9110-20A
△3			Scale	4 : 1	Parts No.:
△2			Date		
△1			Drawn		
Mark	Date	Description	Appr.	Checked	Name:
		Alterations	Approved	N. Suzuki	Indications for Dial
Material					Drawing No.: 9110D000
Heat Treatment			General Tolerances	MIYOTA CITIZEN WATCH CO., LTD. TOKYO, JAPAN	
Hardness			Dimensions		
Plating			Angles		

2009/03/19 (15:03:29)

This drawing is provisional and subject to our reconfirmation and/or revision without notice.



△5			Quantity		Cal.NO.:
△4			Unit	1/1000mm	
△3			Scale	17:1	Parts No.:
△2			Date		065-A05
△1			Drawn		
Mark	Date	Description	Appr.	Checked	Name:
		Alterations	Approved	N. Suzuki	SETTING STEM
Material					Drawing No.: A050S000
Heat Treatment			General	Tolerances	MIYOTA
Hardness			Dimensions		
Plating			Angles		
					CITIZEN WATCH CO., LTD. TOKYO, JAPAN