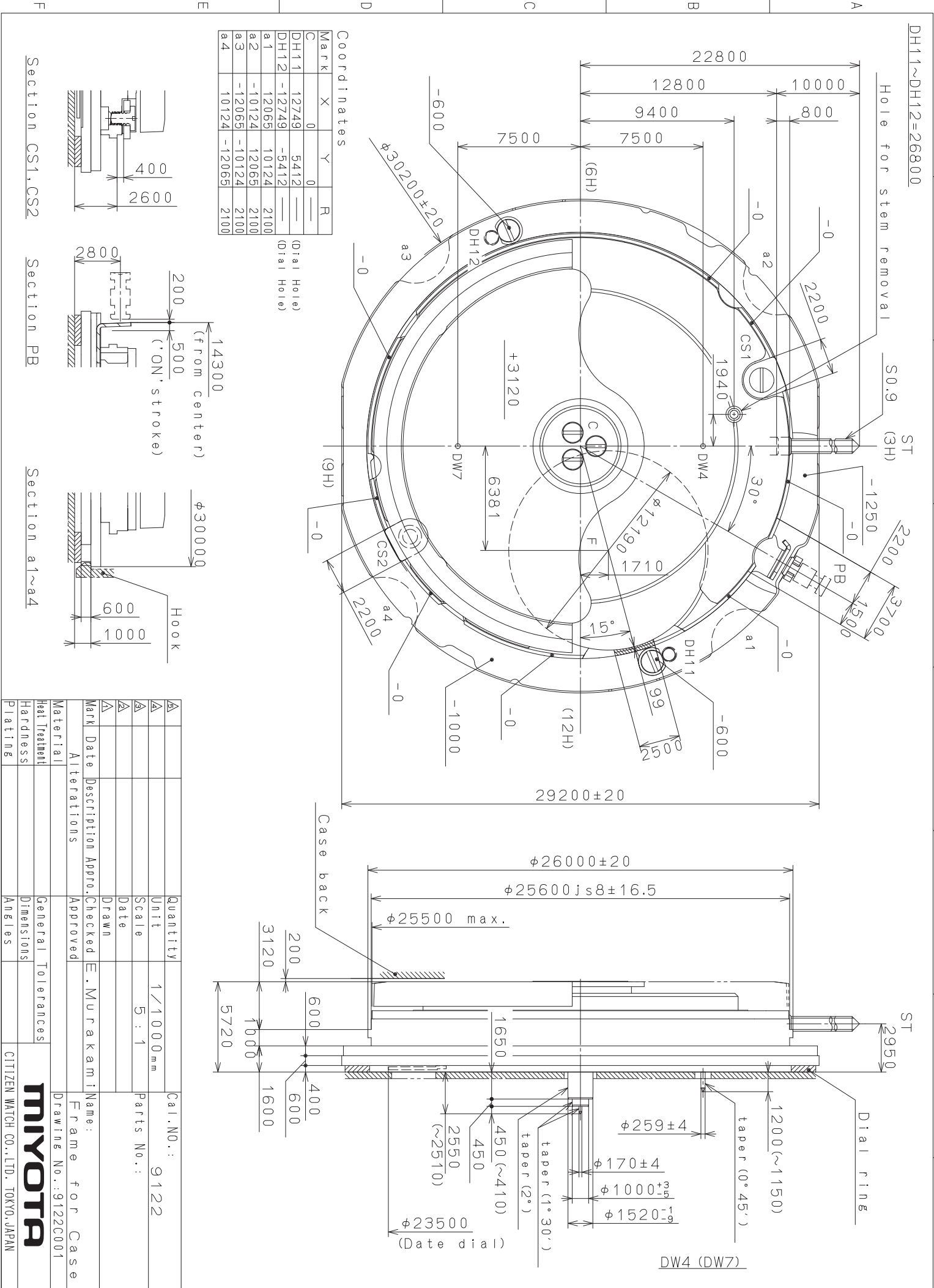


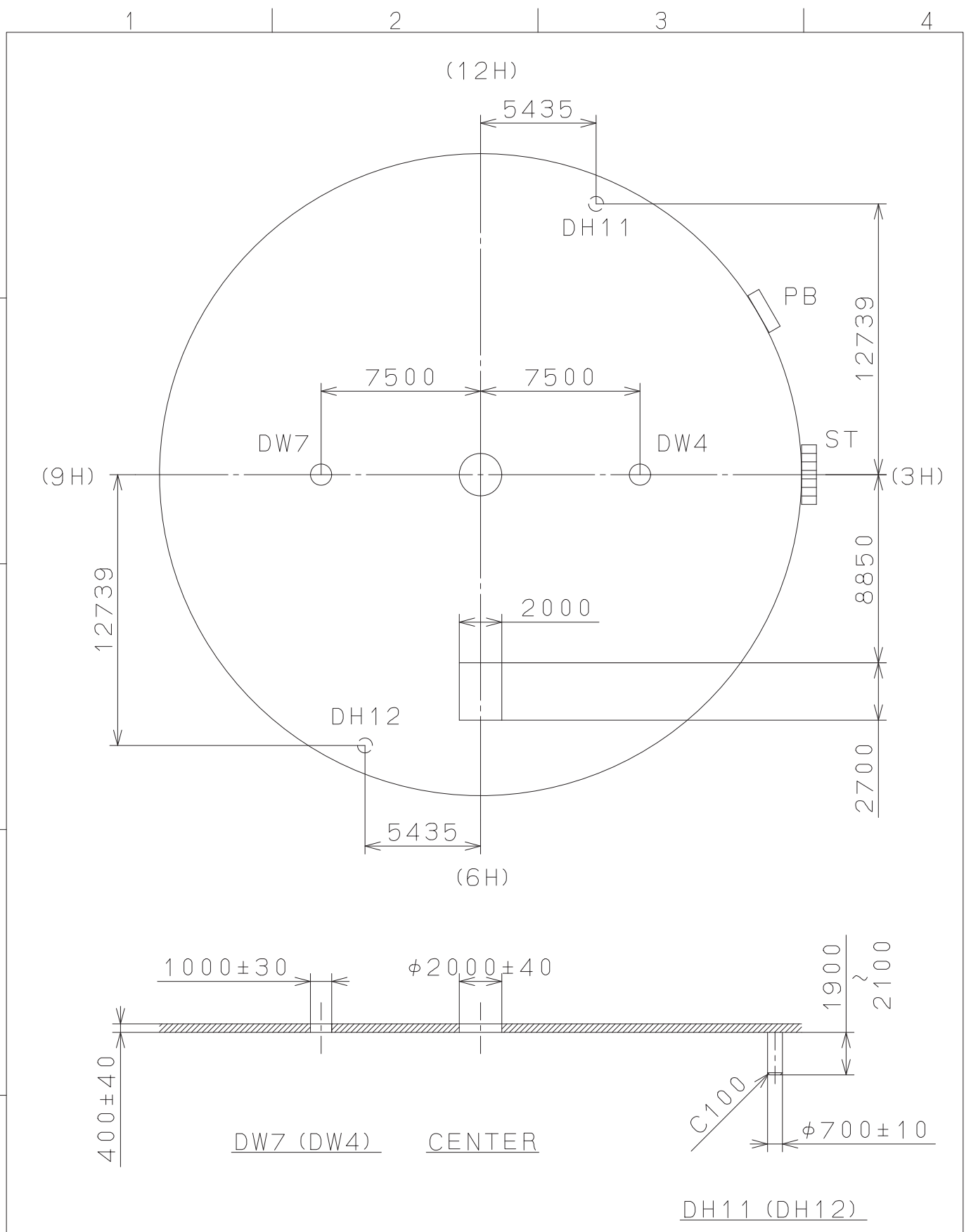
This drawing is provisional and subject to our reconfirmation and/or revision without notice.



Material	Alterations	Quantity	Unit	Cal. NO.:
Heat Treatment		1/1000	mm	9122
Hardness		Scale	5 : 1	Parts No.:
Plating		Date		
		Drawn		
		Checked		
		Approved		
		E. Murakami		
		Name:		
		Frame for Case		
		Drawing No.: 9122C001		
		General Tolerances		
		Dimensions		
		Angles		

**MIYOTA**  
CITIZEN WATCH CO., LTD. TOKYO, JAPAN

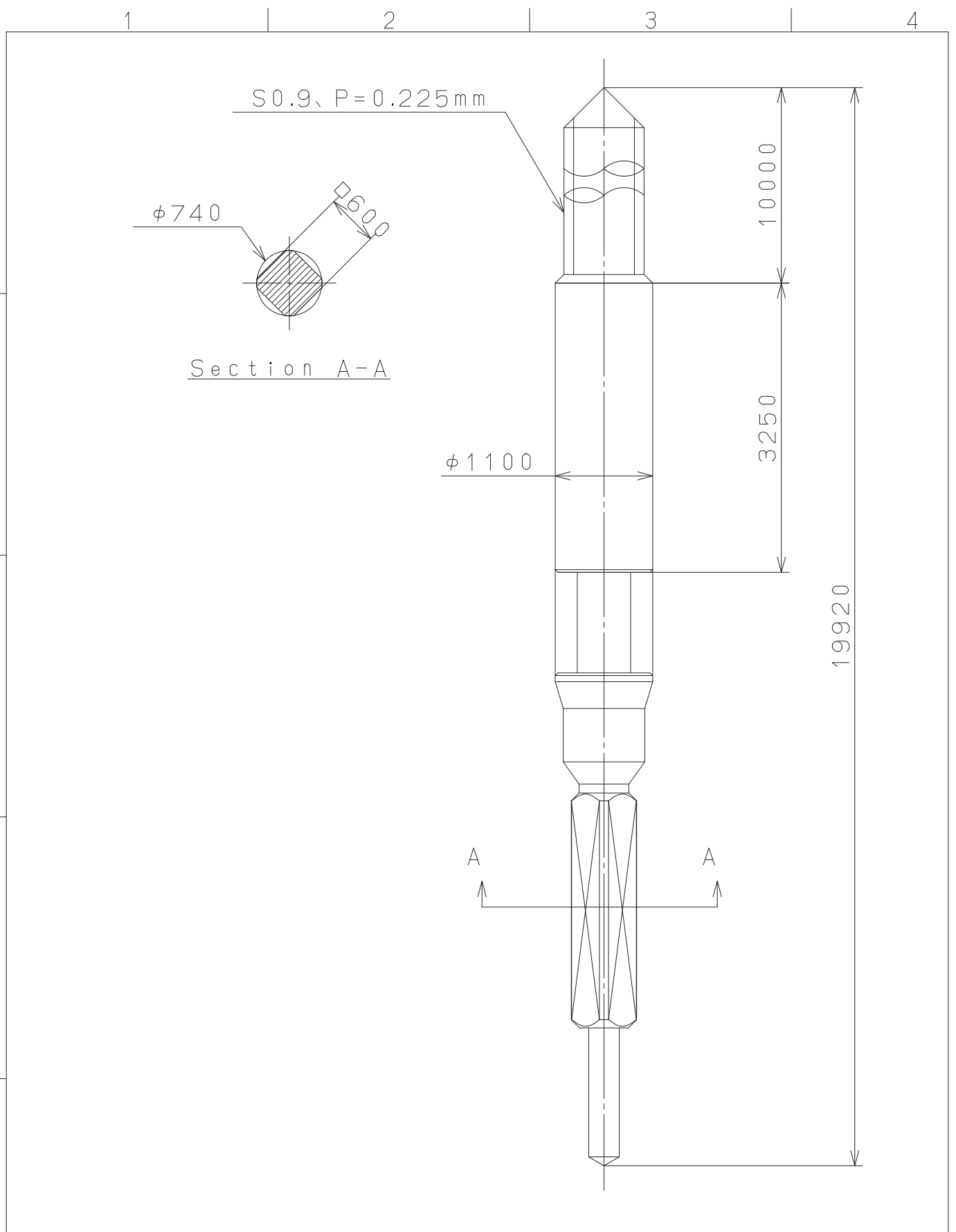
This drawing is provisional and subject to our reconfirmation and/or revision without notice.



△5			Quantity		Cal.NO.:
△4			Unit	1 / 1000 mm	9122-20A
△3			Scale	4 : 1	Parts No.:
△2			Date		
△1			Drawn		
Mark	Date	Description	Appr.	Checked	Name:
		Alterations	Approved	E. Murakami	Indications for Dial
Material					Drawing No.: 9122D000
Heat Treatment			General Tolerances		
Hardness			Dimensions		
Plating			Angles		
				CITIZEN WATCH CO., LTD. TOKYO, JAPAN	

2009/03/19 (15:03:29)

This drawing is provisional and subject to our reconfirmation and/or revision without notice.



△5			Quantity		Cal.NO.:
△4			Unit	1/1000mm	
△3			Scale	17:1	Parts No.:
△2			Date		065-A05
△1			Drawn		
Mark	Date	Description	Appr.	Checked	Name:
		Alterations	Approved	N. Suzuki	SETTING STEM
Material					Drawing No.: A050S000
Heat Treatment			General Tolerances	<b>MIYOTA</b> CITIZEN WATCH CO., LTD. TOKYO, JAPAN	
Hardness			Dimensions		
Plating			Angles		