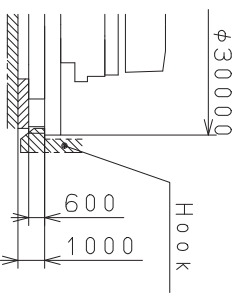
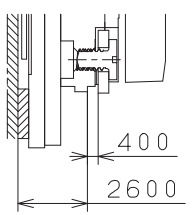
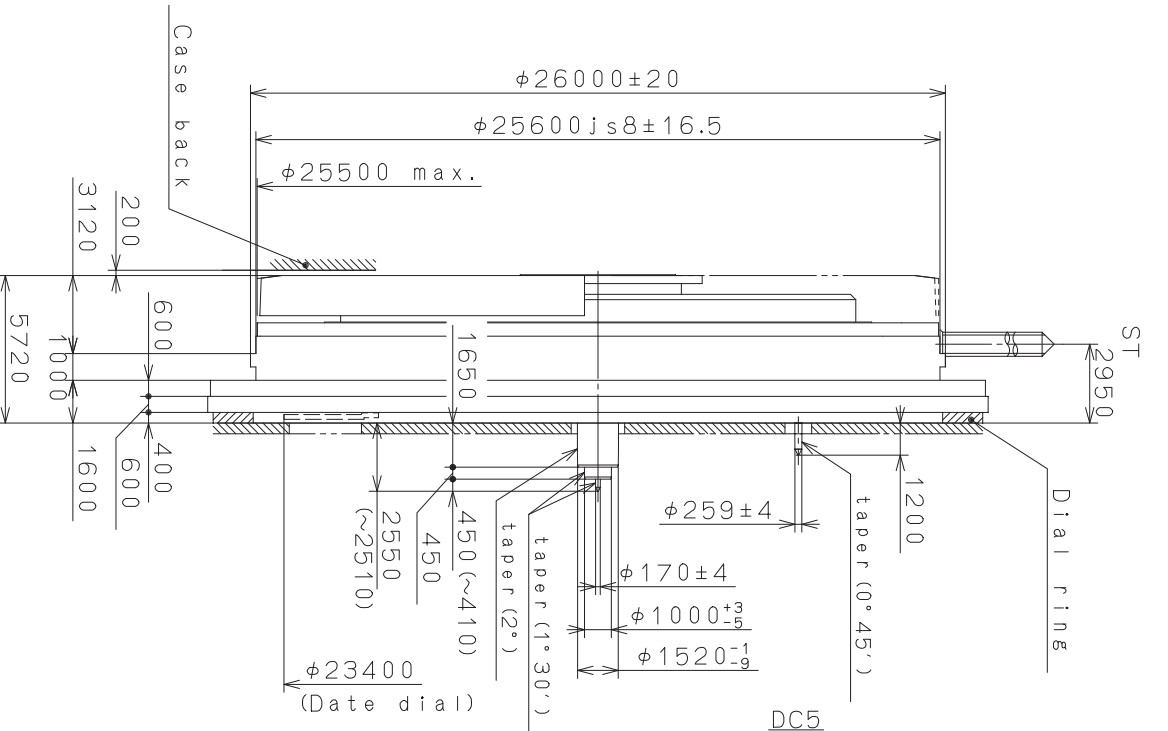
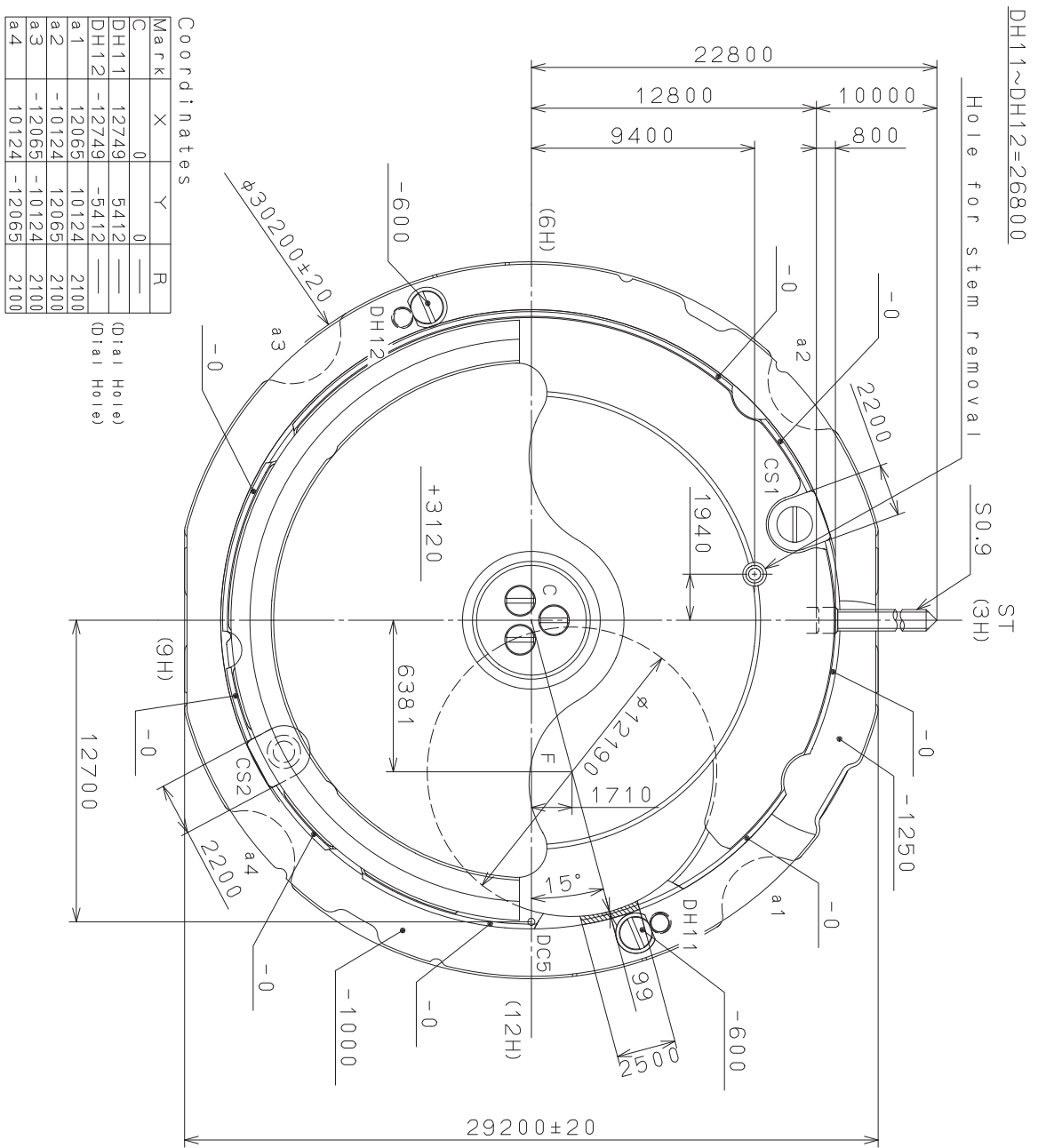


This drawing is provisional and subject to our reconfirmation and/or revision without notice.



Section CS1, CS2

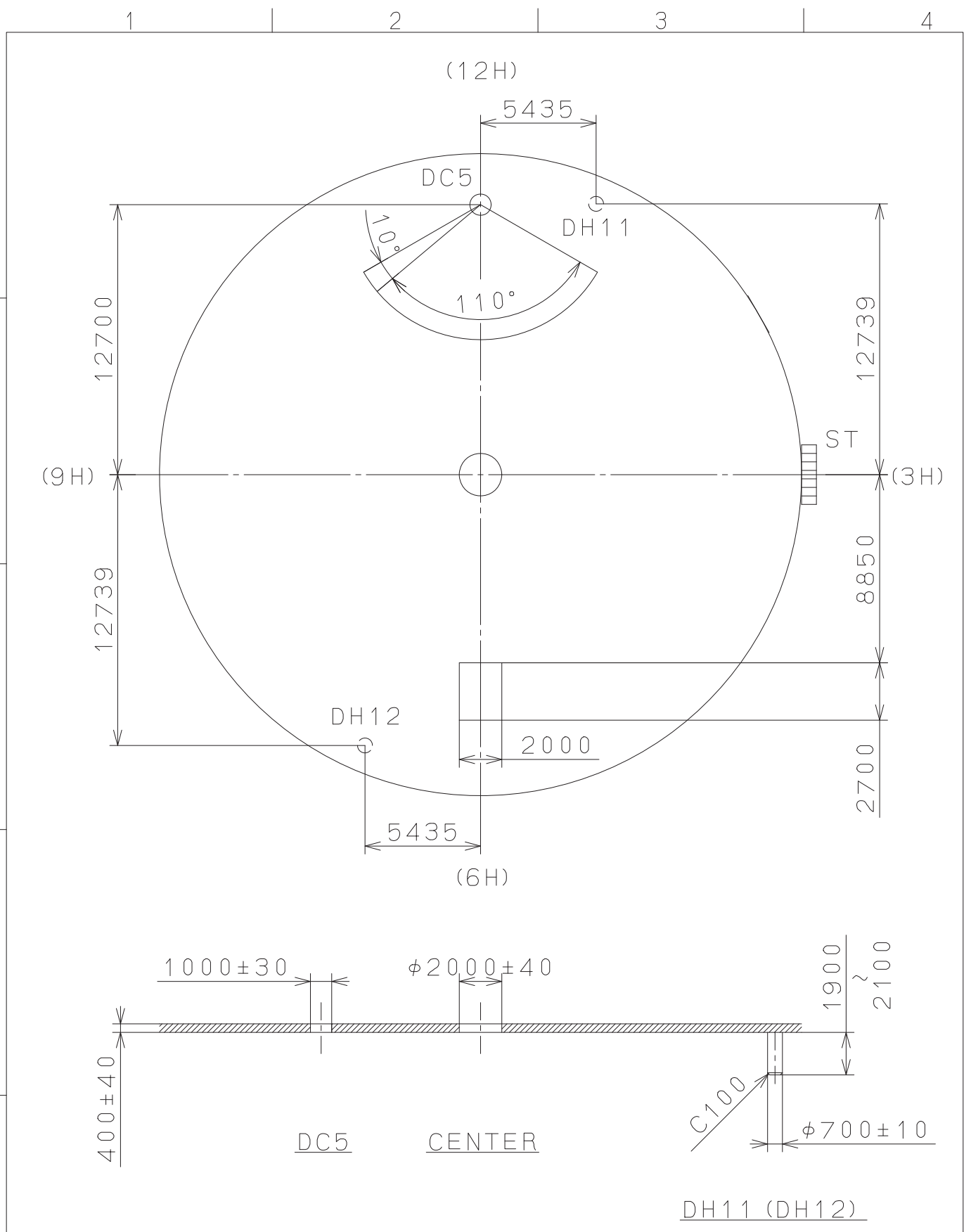
Section a1~a4

Quantity	Unit	Cal. NO.:
1	1/1000 mm	9130
5	5 : 1	Parts No.:
Date		
Drawn		
Mark Date Description Appr. Checked N. Suzuki		
Alterations		
Material		
Heat Treatment		
Hardness		
Plating		
General Tolerances		
Dimensions		
Angles		
Name: Frame for Case		
Drawing No.: 9130C001		

MIYOTA

CITIZEN WATCH CO., LTD. TOKYO, JAPAN

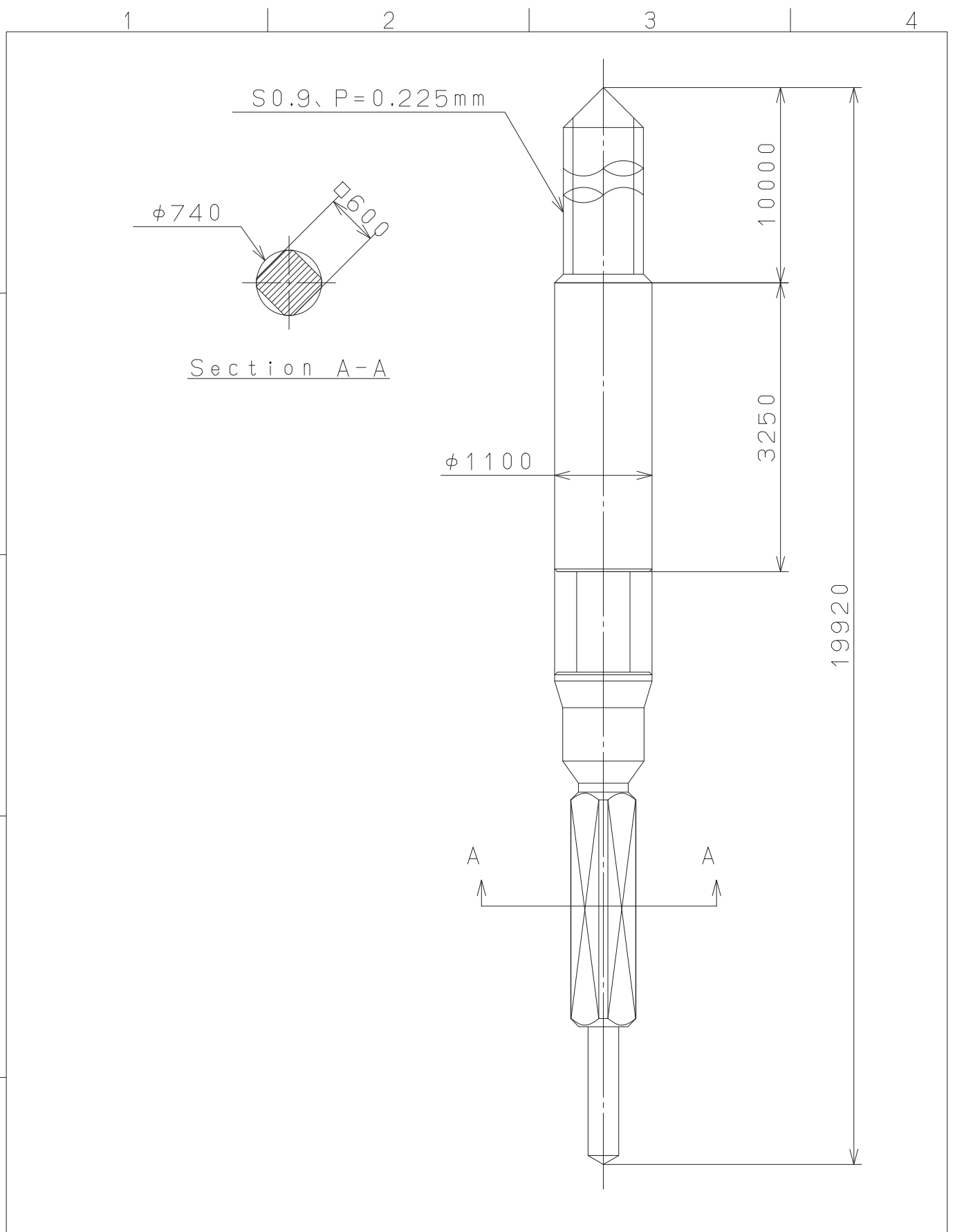
This drawing is provisional and subject to our reconfirmation and/or revision without notice.



△5			Quantity		Cal.NO.:
△4			Unit	1 / 1000 mm	9130-20Z
△3			Scale	4 : 1	Parts No.:
△2			Date		
△1			Drawn		
Mark	Date	Description	Appr.	Checked	Name:
		Alterations	Approved	N. Suzuki	Indications for Dial
Material					Drawing No.: 9130D010
Heat Treatment			General Tolerances	MIYOTA CITIZEN WATCH CO., LTD. TOKYO, JAPAN	
Hardness			Dimensions		
Plating			Angles		

2009/03/19 (15:03:29)

This drawing is provisional and subject to our reconfirmation and/or revision without notice.



△5			Quantity		Cal.NO.:
△4			Unit	1/1000mm	
△3			Scale	17:1	Parts No.:
△2			Date		065-A05
△1			Drawn		
Mark	Date	Description	Appr.	Checked	Name:
		Alterations	Approved	N. Suzuki	SETTING STEM
Material					Drawing No.: A050S000
Heat Treatment			General Tolerances	MIYOTA CITIZEN WATCH CO., LTD. TOKYO, JAPAN	
Hardness			Dimensions		
Plating			Angles		