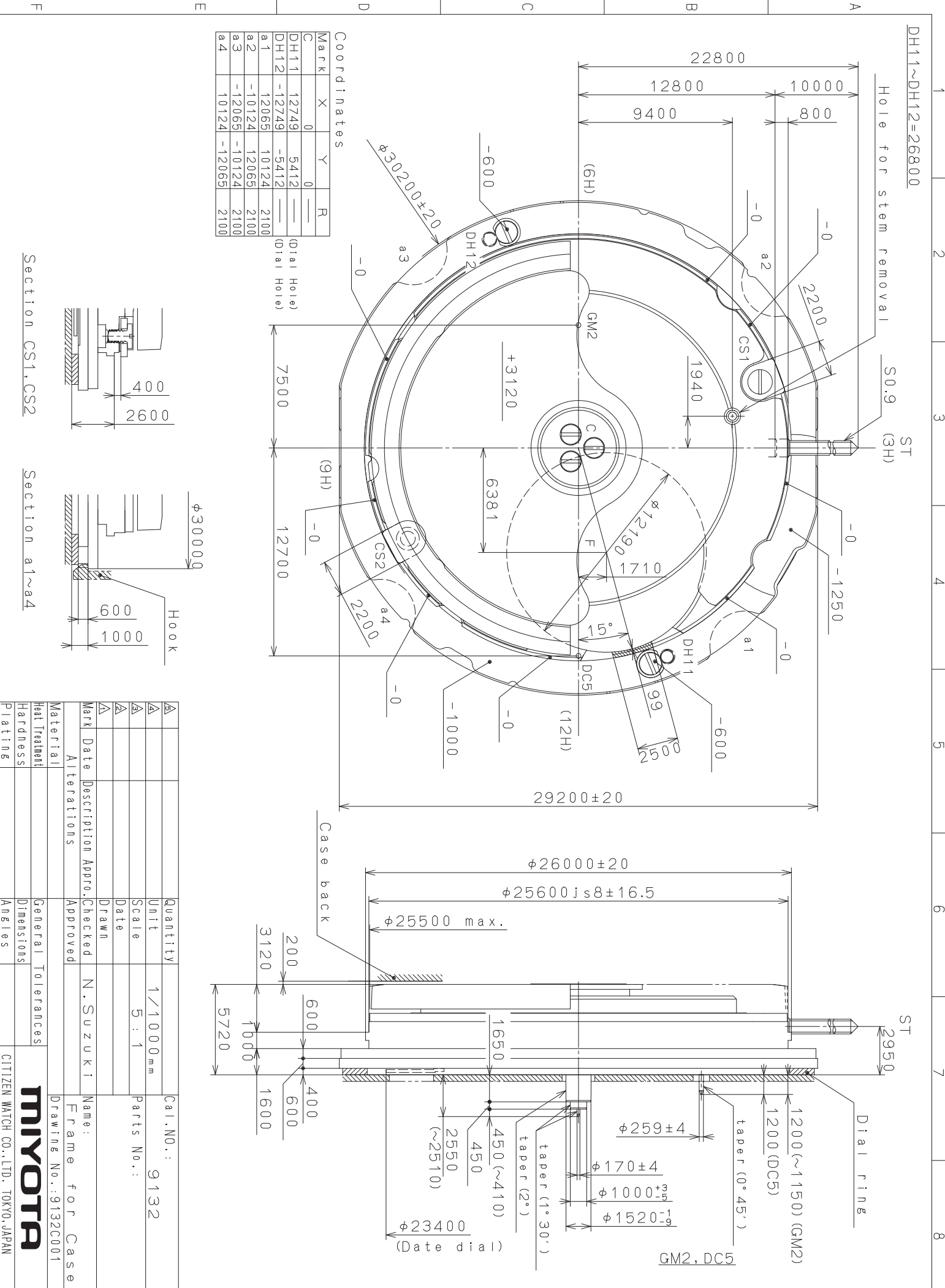


This drawing is provisional and subject to our reconfirmation and/or revision without notice.



Coordinates			
Mark	X	Y	R
C	0	0	—
DH11	12749	5412	—
DH12	-12749	-5412	—
a1	12065	10124	2100
a2	-10124	12065	2100
a3	-12065	-10124	2100
a4	10124	-12065	2100

(Dial Hole)

(Dial Hole)

(9H)

(9H)

Section CS1, CS2

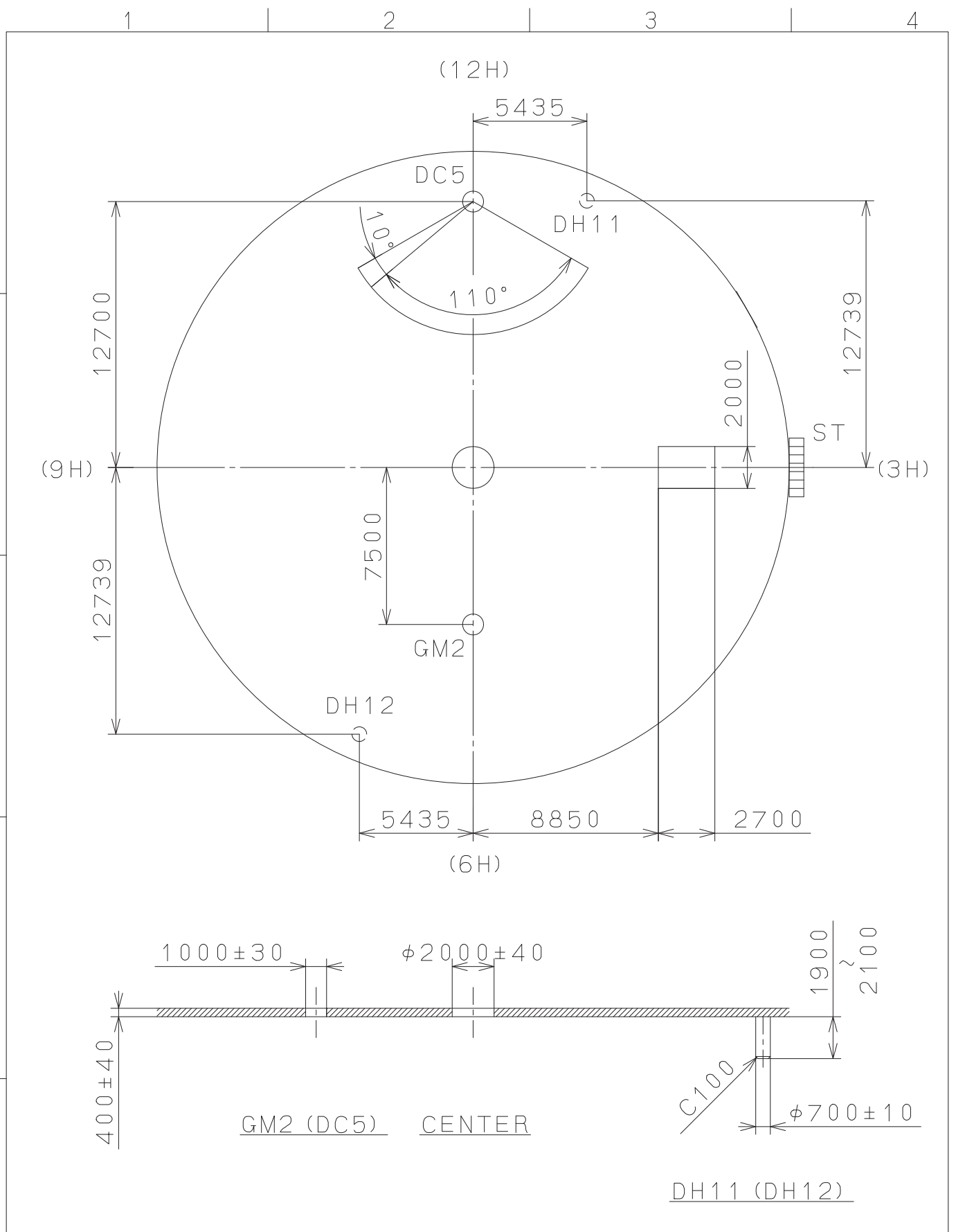
Section a1~a4

△	Quantity	Cal. NO.:	9132
△	Unit	1/1000mm	
△	Scale	5 : 1	Parts No.:
△	Date		
△	Drawn		
△	Mark	Date	Approved
	Description		
	Checked		
	N. Suzuki		
	Alterations	Approved	
	Material		
	General Tolerances		
	Hardness		
	Dimensions		
	Plating		
	Name: Frame for Case		
	Drawing No.: 9132C001		
	CITIZEN WATCH CO., LTD. TOKYO, JAPAN		

**MIYOTA**

confidential papers 2012/12/05 (09:12:18)

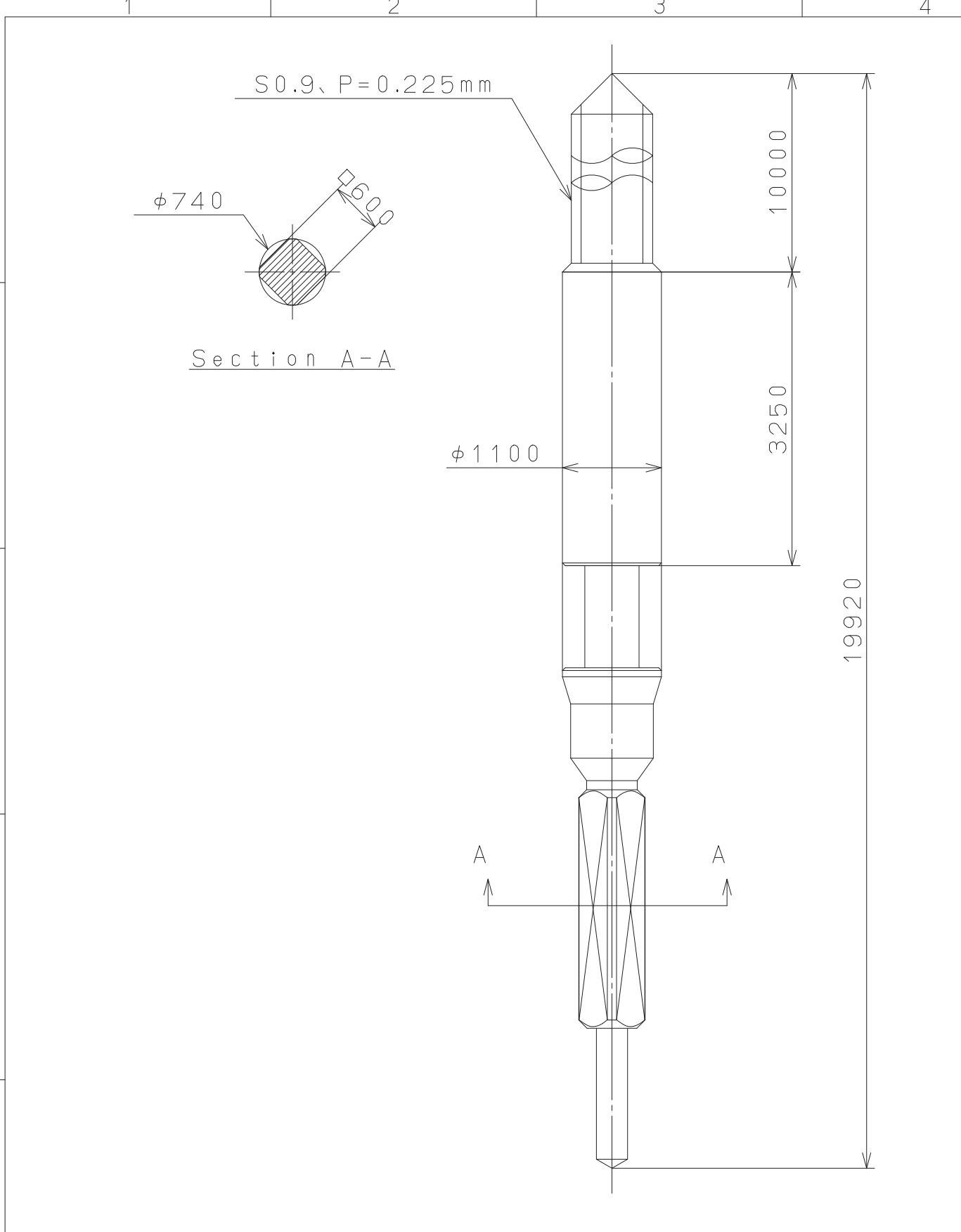
This drawing is provisional and subject to our reconfirmation and/or revision without notice.



△5			Quantity		Cal.NO.:
△4			Unit	1 / 1000 mm	9132-20A
△3			Scale	4 : 1	Parts No.:
△2			Date		
△1			Drawn		
Mark	Date	Description	Appr.	Checked	Name:
		Alterations		N. Suzuki	
			Approved		Indications for Dial
Material					Drawing No.: 9132D000
Heat Treatment			General Tolerances	<p><b>MIYOTA</b></p> <p>CITIZEN WATCH CO., LTD. TOKYO, JAPAN</p>	
Hardness			Dimensions		
Plating			Angles		

2009/03/19 (15:03:29)

This drawing is provisional and subject to our reconfirmation and/or revision without notice.



△5			Quantity		Cal.NO.:
△4			Unit	1/1000mm	
△3			Scale	17:1	Parts No.:
△2			Date		065-A05
△1			Drawn		Name:
Mark	Date	Description	Appr.	Checked	N. Suzuki
Alterations			Approved	SETTING STEM	
Material					Drawing No.: A050S000
Heat Treatment					<b>MIYOTA</b>
Hardness	General Tolerances				
Plating	Dimensions				
					CITIZEN WATCH CO., LTD. TOKYO, JAPAN