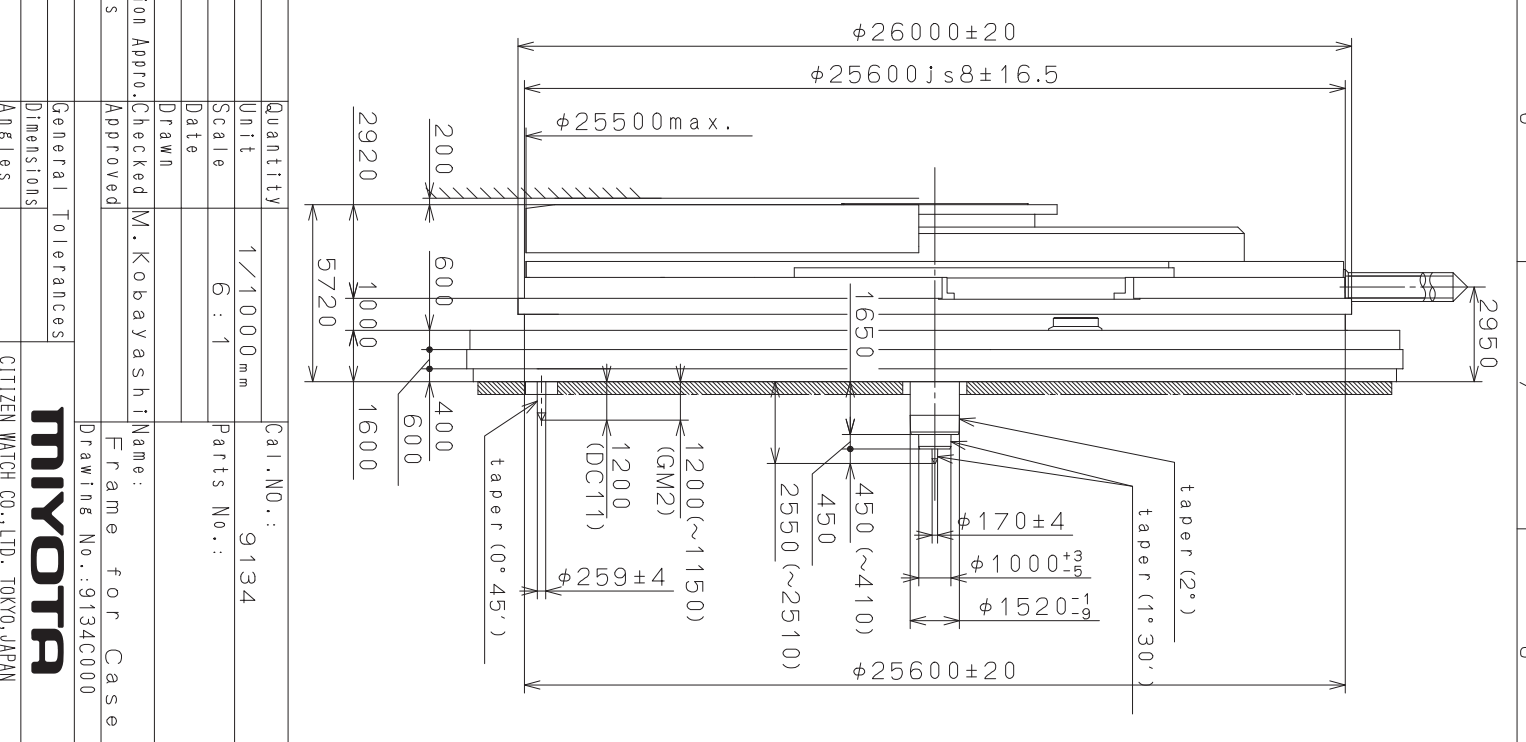
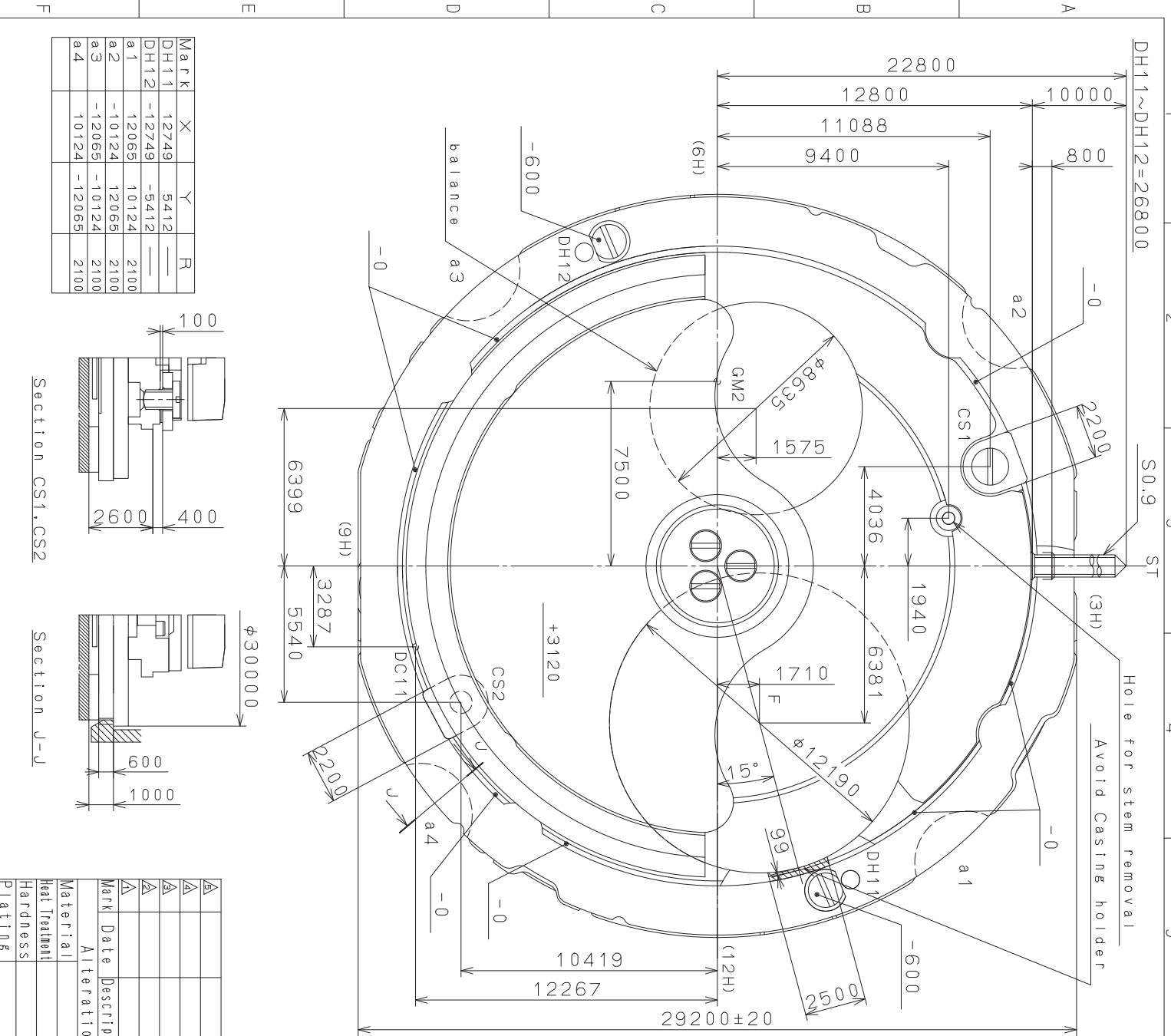
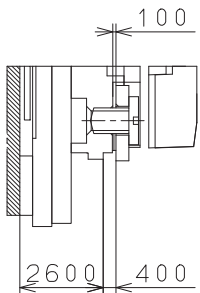


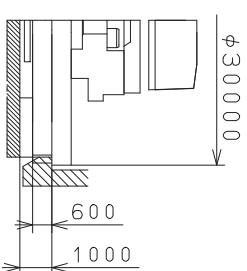
This drawing is provisional and subject to our reconfirmation and/or revision without notice.



Mark	X	Y	R
DH11	12749	5412	—
DH12	-12749	-5412	—
a1	12065	10124	2100
a2	-10124	12065	2100
a3	-12065	-10124	2100
a4	10124	-12065	2100



Section CS1, CS2



Section J-J

Material	Alterations	Quantity	Unit	Scale	Date	Drawn	Checked	Appr.	Material	General Tolerances	Dimensions	Plating
		1	1/1000 mm	6:1								
Mark Date Description Appr. Checked M. Kobayashi Name:										Frame for Case		
Alterations Approved										Drawing No.: 9134C000		
Material										General Tolerances		
Hardness										Dimensions		
Plating										Angles		

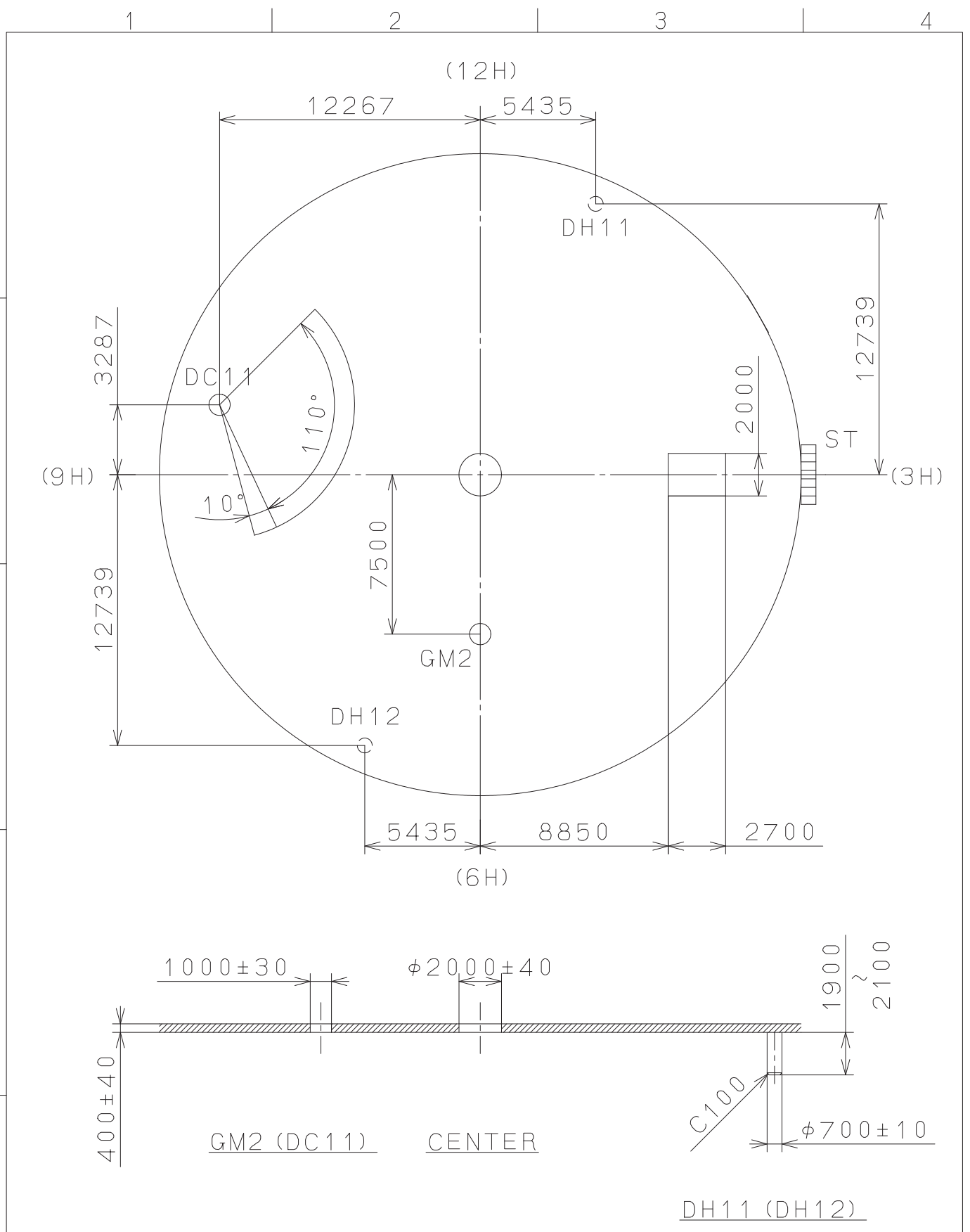
Cal. NO.: 9134

Parts No.:

MIYOTA

CITIZEN WATCH CO., LTD. TOKYO, JAPAN

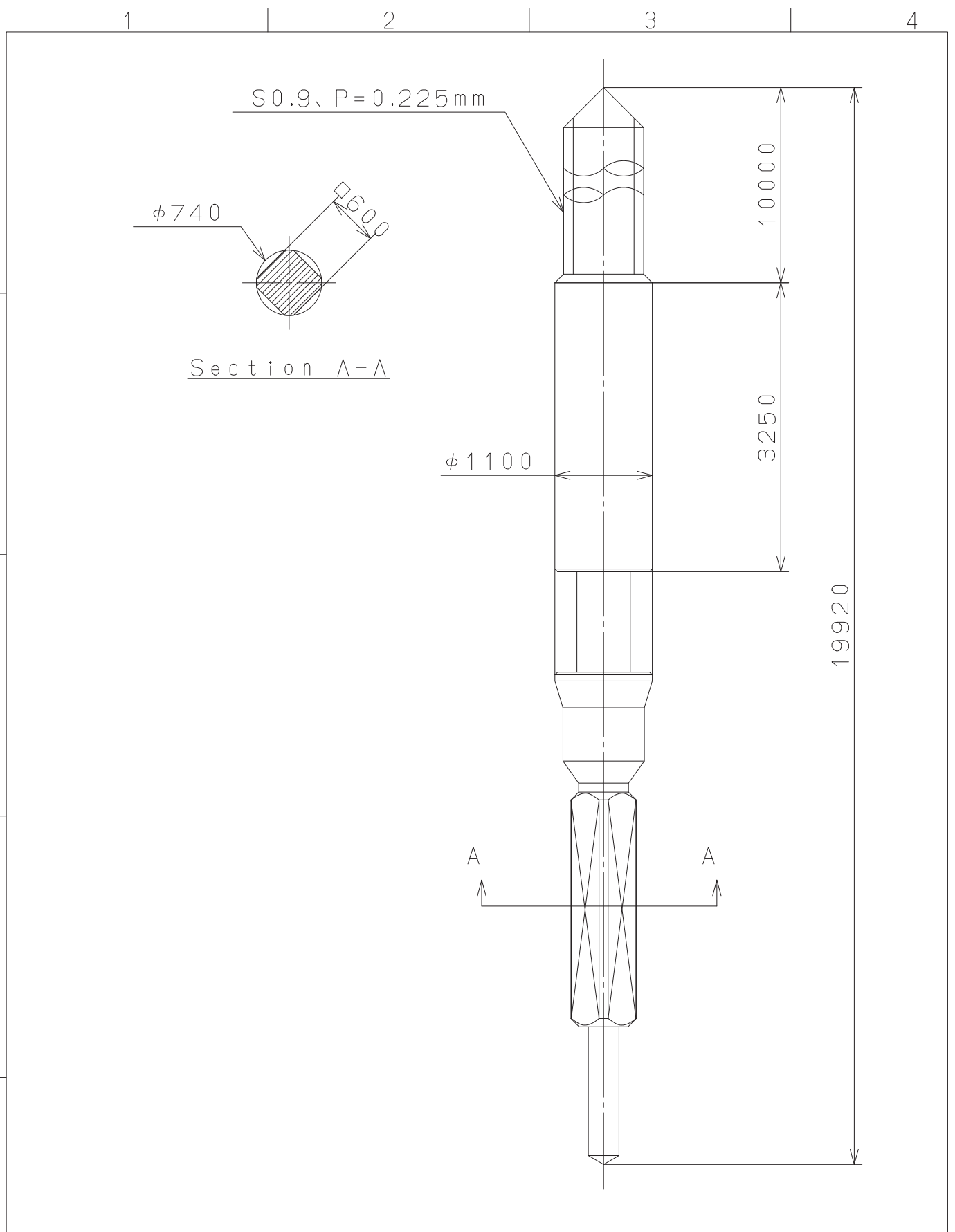
This drawing is provisional and subject to our reconfirmation and/or revision without notice.



△5			Quantity		Cal.NO.:
△4			Unit	1 / 1000 mm	9134-20A
△3			Scale	4 : 1	Parts No.:
△2			Date		
△1			Drawn		
Mark	Date	Description	Appr.	Checked	M. Kobayashi
Alterations			Approved	Name:	
Material			Indications for Dial		
Heat Treatment			Drawing No.: 9134D000		
Hardness			General Tolerances		
Plating			Dimensions		
			Angles		
MIYOTA					
CITIZEN WATCH CO., LTD. TOKYO, JAPAN					

2009/03/19 (15:03:29)

This drawing is provisional and subject to our reconfirmation and/or revision without notice.



⑤			Quantity		Cal.NO.:
④			Unit	1/1000mm	
③			Scale	17:1	Parts No.:
②			Date		065-A05
①			Drawn		
Mark	Date	Description	Appr.	Checked	Name:
		Alterations		Approved	SETTING STEM
Material					Drawing No.: A050S000
Heat Treatment			General Tolerances		MIYOTA
Hardness			Dimensions		
Plating			Angles		
					CITIZEN WATCH CO., LTD. TOKYO, JAPAN