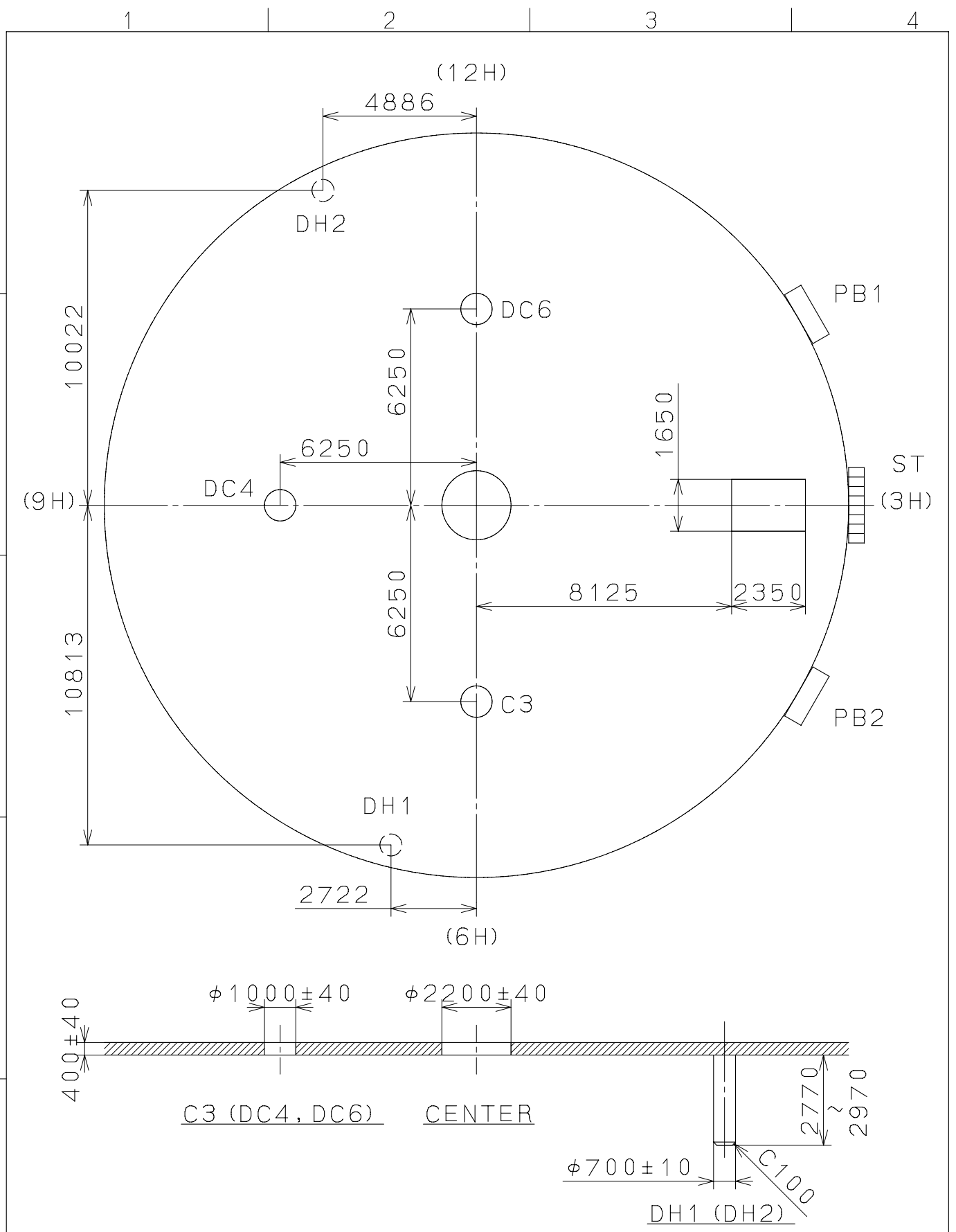


2008/05/30 (09:20:11)

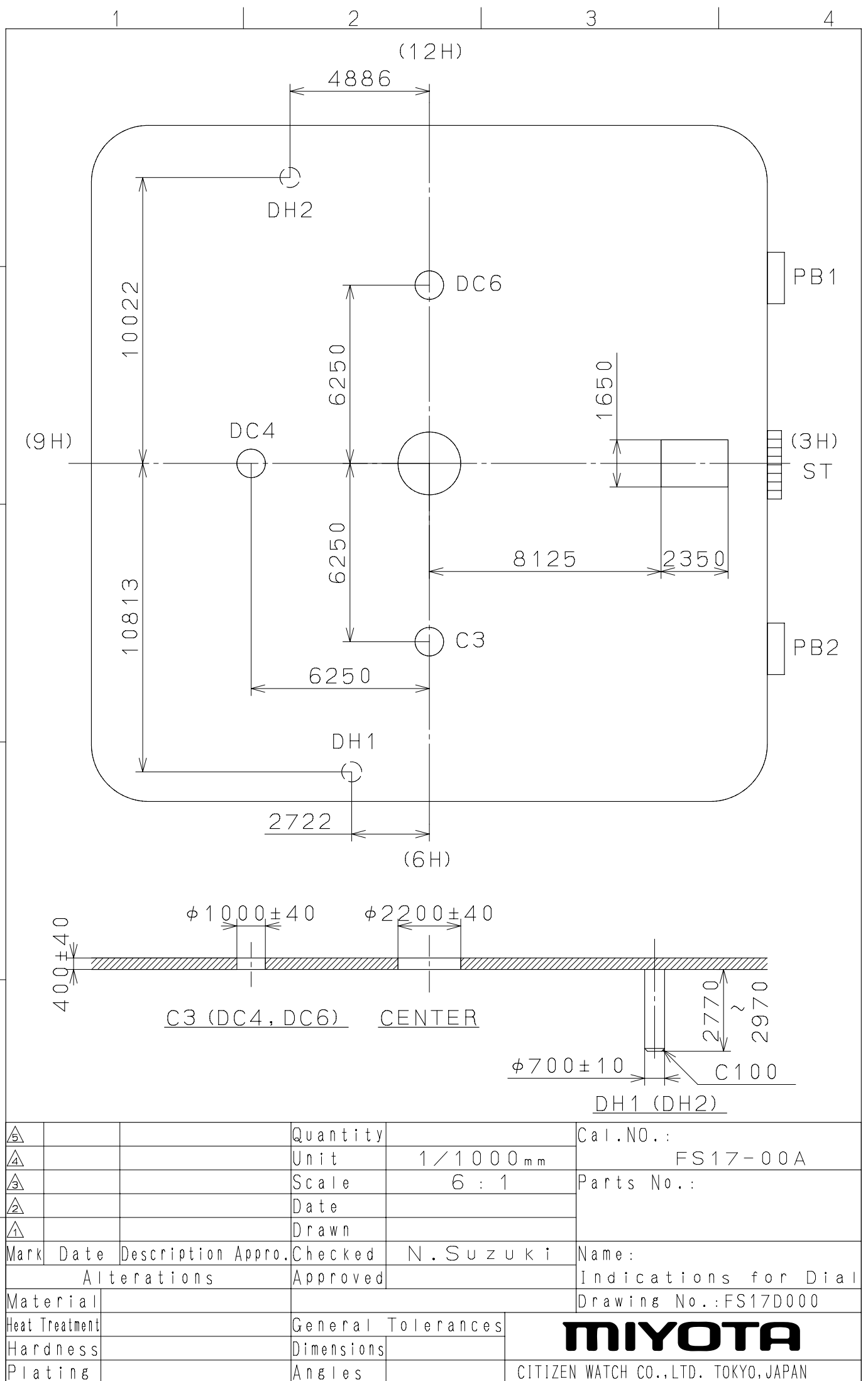
This drawing is provisional and subject to our reconfirmation and/or revision without notice.



△			Quantity		Cal.NO.:
△			Unit	1/1000 _{mm}	FS16-00A
△			Scale	6:1	Parts No.:
△			Date		
△			Drawn		
Mark	Date	Description	Appr.	Checked	Name:
		Alterations		Approved	Indications for Dial
Material					Drawing No.: FS16D010
Heat Treatment			General Tolerances		MIYOTA
Hardness			Dimensions		
Plating			Angles		
					CITIZEN WATCH CO., LTD. TOKYO, JAPAN

2008/06/03 (13:35:01)

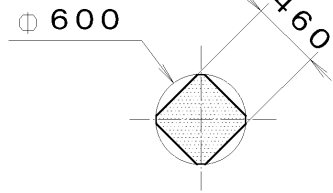
This drawing is provisional and subject to our reconfirmation and/or revision without notice.



△			Quantity		Cal. NO.:
△			Unit	1 / 1000 mm	FS17-00A
△			Scale	6 : 1	Parts No.:
△			Date		
△			Drawn		
Mark	Date	Description	Appr.	Checked	Name:
		Alterations	Approved	N. Suzuki	Indications for Dial
Material					Drawing No.: FS17D000
Heat Treatment				General Tolerances	MIYOTA
Hardness				Dimensions	
Plating				Angles	
					CITIZEN WATCH CO., LTD. TOKYO, JAPAN

This drawing is provisional and subject to our reconfirmation and/or revision without notice.

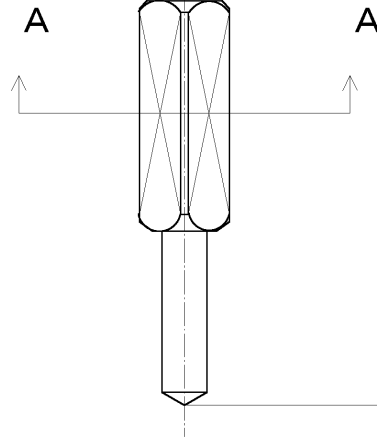
*** T I P W 065-549 (01) *** (2100 1121) 01-12-07



Section A-A

S0. 9, P=0. 225mm

⌀ 1000



<table border="1"> <tr><td>7</td><td></td></tr> <tr><td>6</td><td></td></tr> <tr><td>5</td><td></td></tr> <tr><td>4</td><td></td></tr> <tr><td>3</td><td></td></tr> <tr><td>2</td><td></td></tr> <tr><td>1</td><td></td></tr> </table>		7		6		5		4		3		2		1		Quantity		Cal. No. :	
7																			
6																			
5																			
4																			
3																			
2																			
1																			
Material		Unit	1/1000 mm	Parts:	065-549														
Heat Treatment		Scale	20:1																
Hardness		Date		Name:	SETTING STEM														
Plating		Drawn		Drawing No. :	5490S000														
		Checked	T. Hiruta	CITIZEN WATCH CO., LTD. TOKYO, JAPAN															
		Approved																	
		General Tolerances																	
		Dimensions																	
		Angles																	