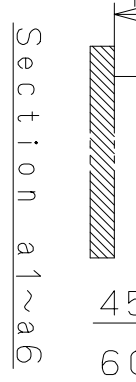
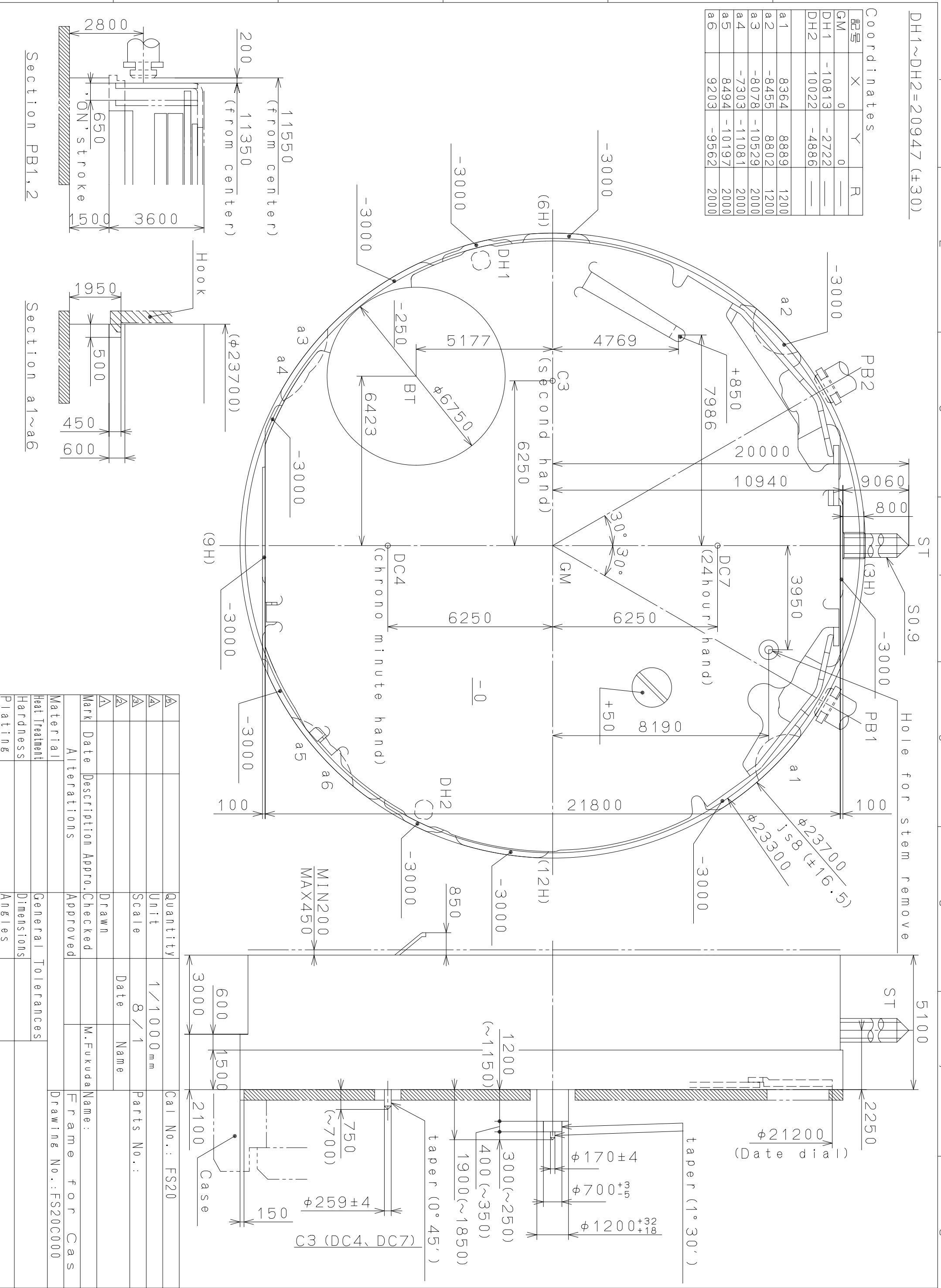


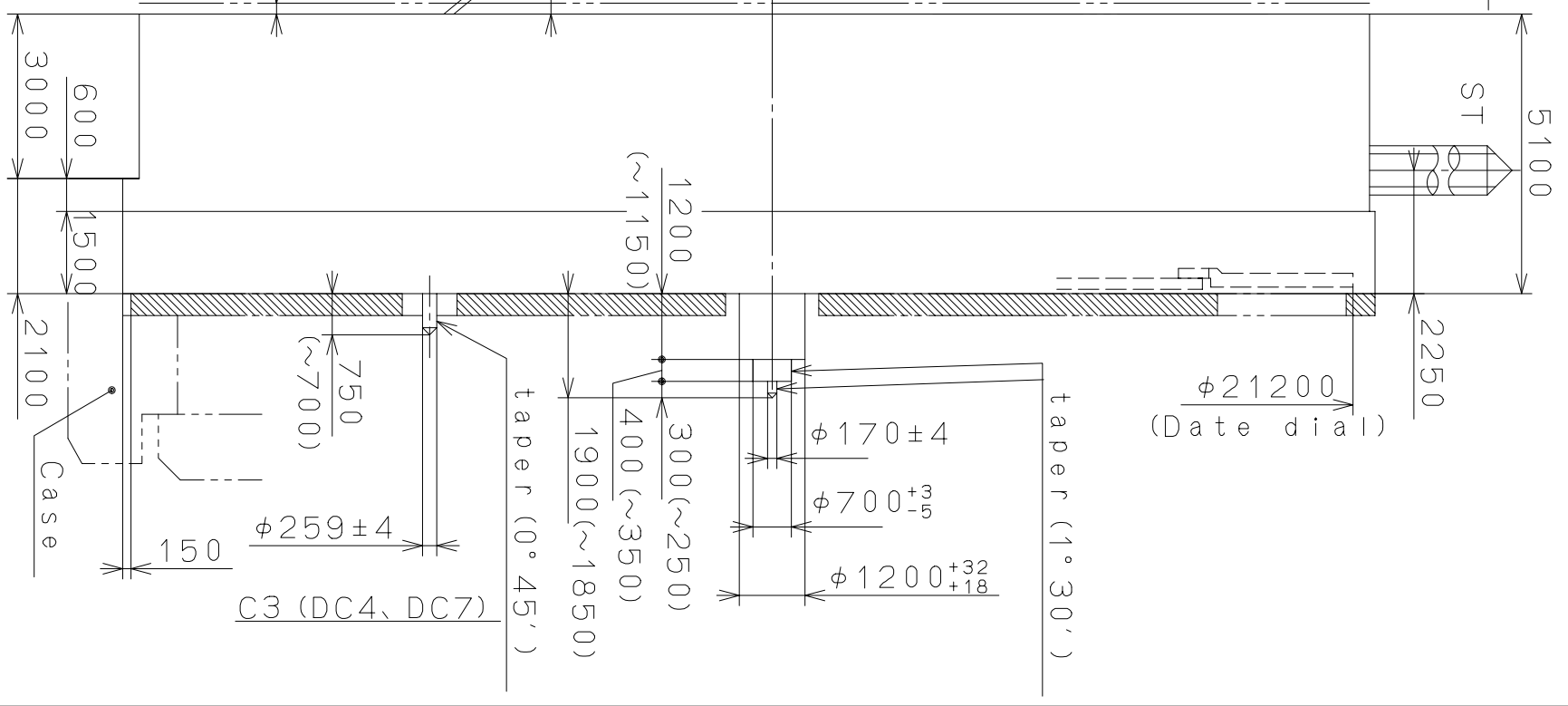
This drawing is provisional and subject to our reconfirmation and/or revision without notice.

Coordinates

記号	X	Y	R
GM	0	0	—
DH1	-10813	-2722	—
DH2	10022	-4886	—
a1	8364	8889	1200
a2	-8455	8802	1200
a3	-8078	-10529	2000
a4	-7303	-11081	2000
a5	8494	-10197	2000
a6	9203	-9562	2000

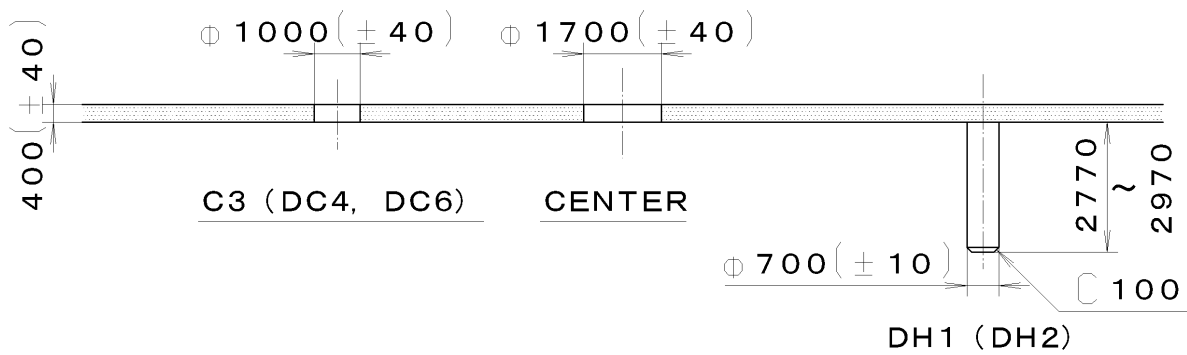
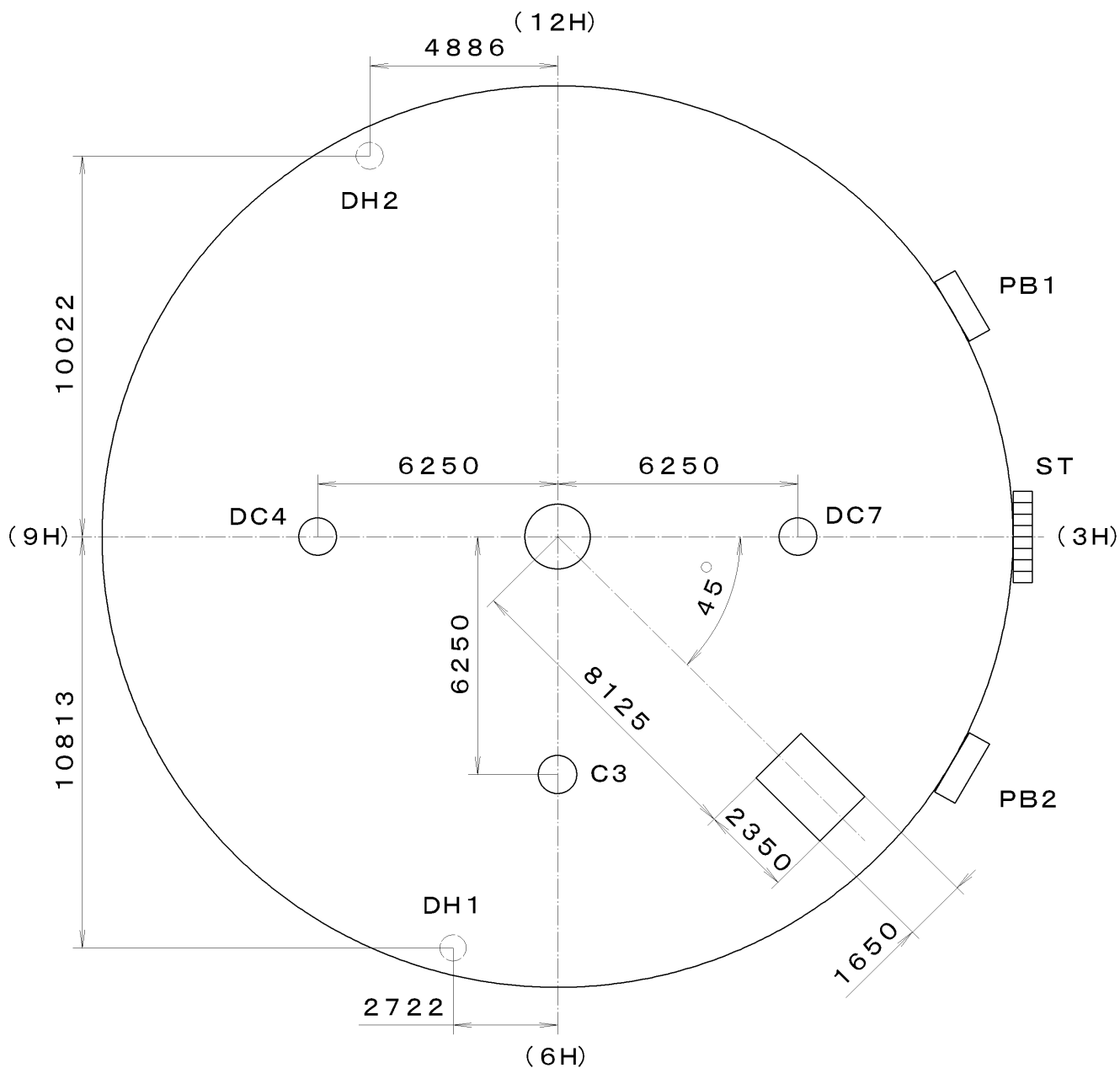


△5	Quantity	1 / 1000 mm	Cal No.: FS20
△4	Unit	8 / 1	Parts No.:
△3	Scale	Date	Name
△2	Drawn	M. Fukuda	Name:
△1	Date	Approved	Frame for Cas
Alterations		Checked	Drawing No.: FS20C000
Material		Approved	
Heat Treatment		General Tolerances	
Hardness		Dimensions	
Plating		Angles	





This drawing is provisional and subject to our reconfirmation and/or revision without notice.

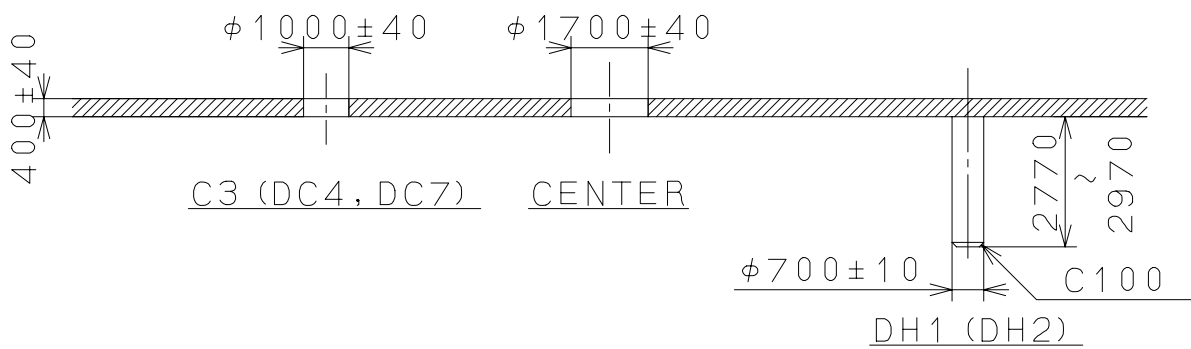
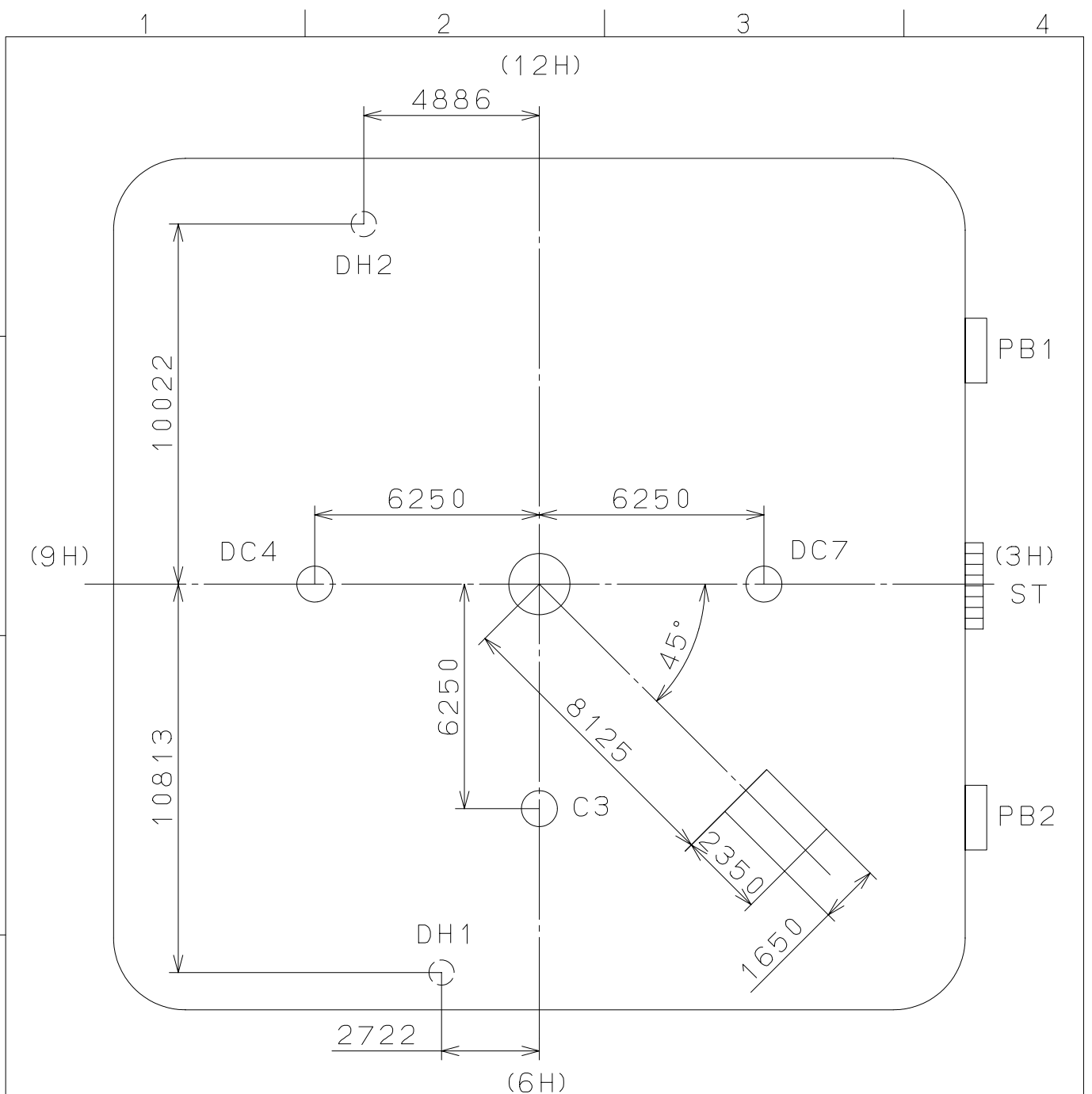


\*\*\* T I P W (01) \*\*\* (2100 1121) 03-02-14 30.0

7		Quantity		Cal. No. :	FS20-00A	
6		Unit	1/1000 mm	Parts:		
5		Scale	6:1	Name:	Indications for Dial	
4		Date		Drawing No. :		FS20D000
3		Drawn				
2		Checked	M. Fukuda			
1		Approved				
Material				General Tolerances		
Heat Treatment				Dimensions		
Hardness				Angles		
Plating						

2005/08/23 (09:43:05)

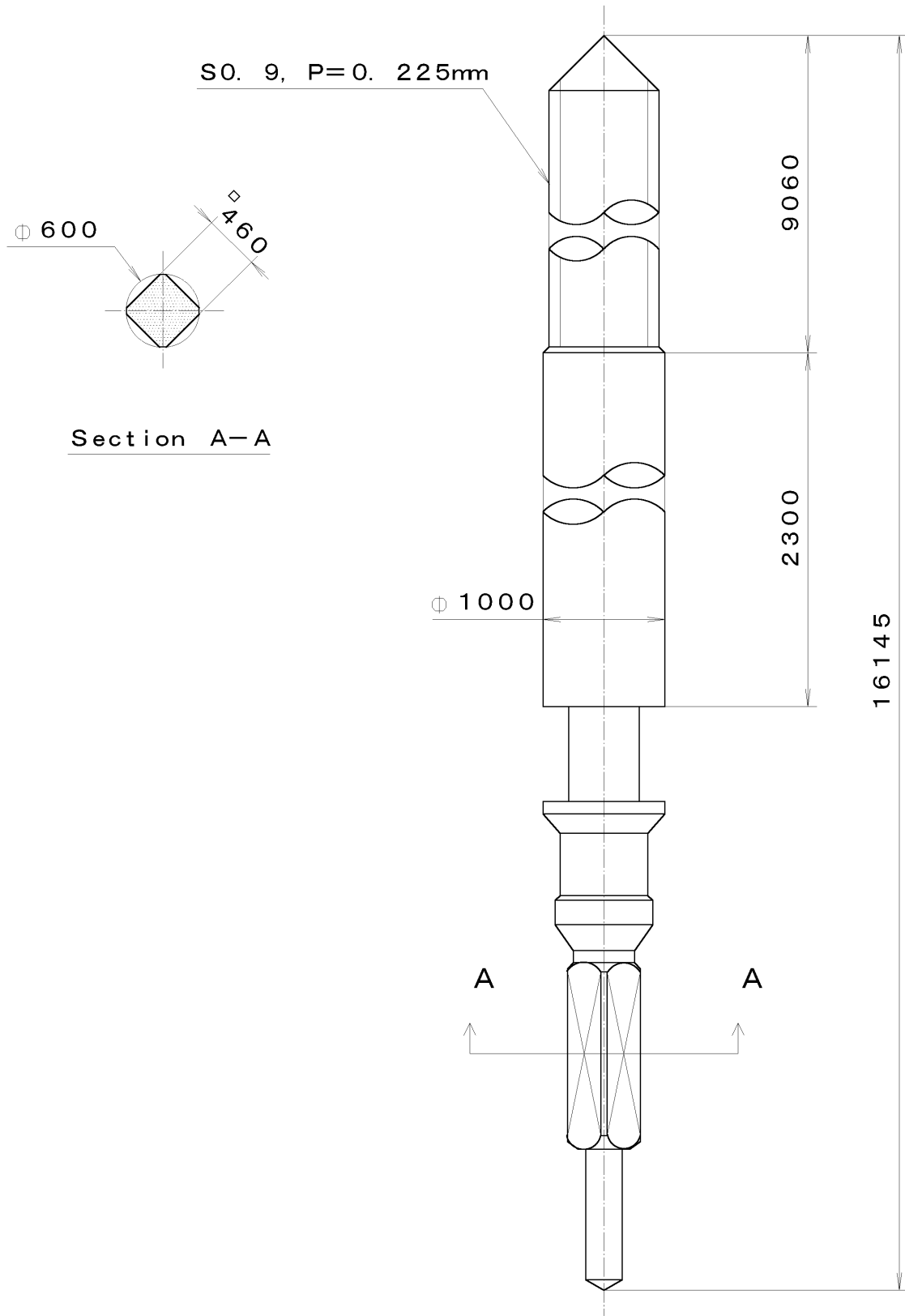
This drawing is provisional and subject to our reconfirmation and/or revision without notice.



△			Quantity		Ca l. NO.: FS21-00A
△			Unit	1 / 1000 mm	
△			Scale	6 / 1	Parts No.:
△				Date	Name
△			Drawn		
Mark	Date	Description	Appr.	Checked	M. Fukuda Name:
Alterations			Approved		Indications for Dial
Material					Drawing No.: FS21D000
Heat Treatment					<b>MIYOTA</b> CITIZEN WATCH CO., LTD.
Hardness	General Tolerances				
Plating	Dimensions				
	Angles				

This drawing is provisional and subject to our reconfirmation and/or revision without notice.

\*\*\* T I P W 065-549 (01) \*\*\* (2100 1121) 01-12-07



<table border="1"> <tr><td>7</td><td></td></tr> <tr><td>6</td><td></td></tr> <tr><td>5</td><td></td></tr> <tr><td>4</td><td></td></tr> <tr><td>3</td><td></td></tr> <tr><td>2</td><td></td></tr> <tr><td>1</td><td></td></tr> </table>		7		6		5		4		3		2		1		Quantity		Cal. No. :	
7																			
6																			
5																			
4																			
3																			
2																			
1																			
		Unit	1/1000 mm	Parts:	065-549														
		Scale	20:1																
		Date		Name:	SETTING STEM														
		Drawn																	
		Checked	T. Hiruta	Drawing No. : 5490S000															
		Approved																	
Material																			
Heat Treatment		General Tolerances		<b>CITIZEN</b> WATCH CO., LTD. TOKYO, JAPAN															
Hardness		Dimensions																	
Plating		Angles																	