

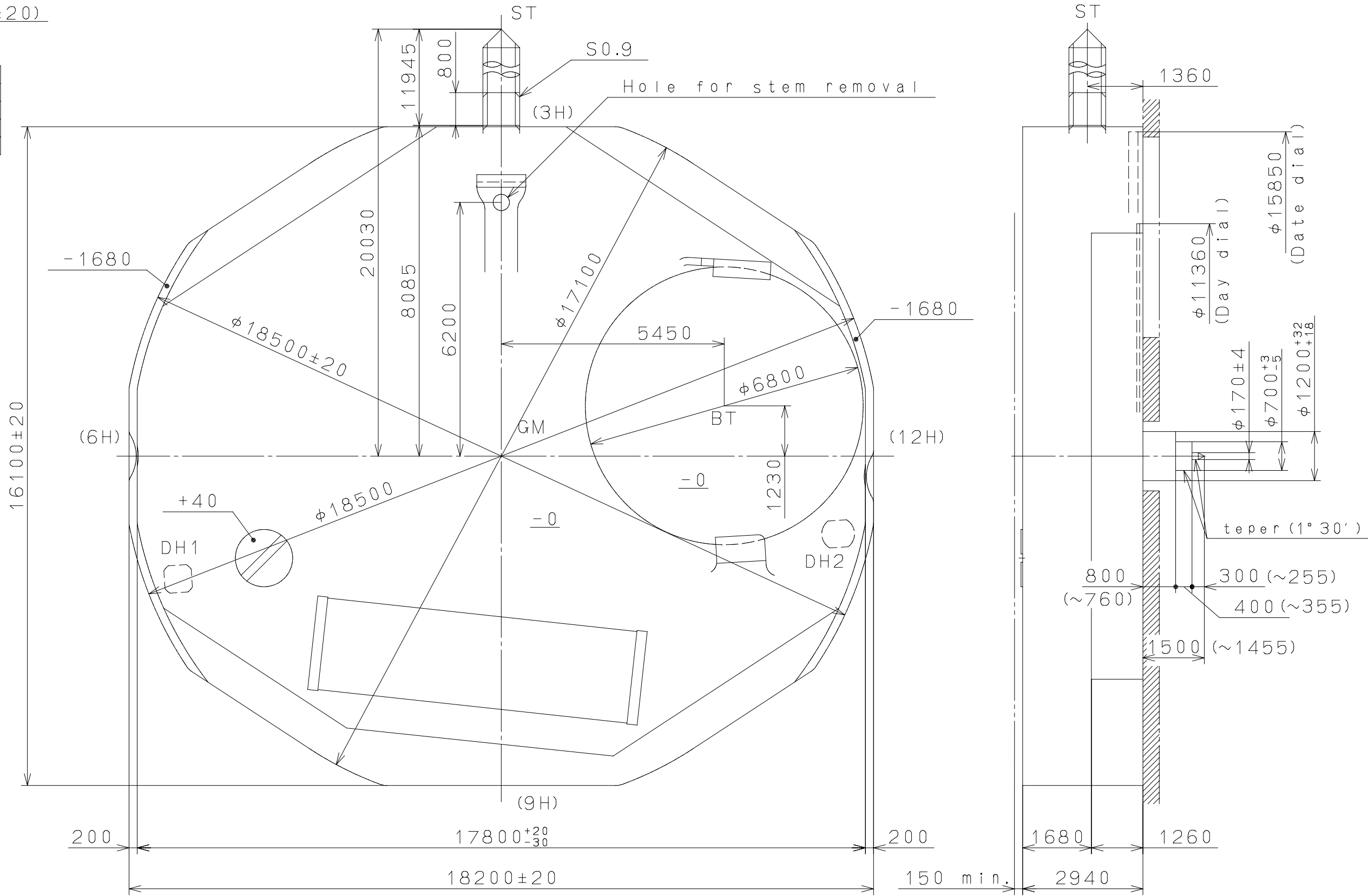
2011/12/05 (08:52:01)

This drawing is provisional and subject to our reconfirmation and/or revision without notice.

DH1~DH2=16171 (±20)

Coordinates

Mark	X	Y
GM	0	0
DH1	-7900	-3000
DH2	8234	-1900



△5			Quantity		Cal.NO.:
△4			Unit	1/1000mm	GL00
△3			Scale	10:1	Parts No.:
△2			Date		
△1			Drawn		
Mark	Date	Description	Appr.	Checked	T.Hiruta
Alterations				Approved	Name:
				Frame for Case	
				Drawing No.:GL00COAS	
Material			General Tolerances		
Heat Treatment			Dimensions		
Hardness			Angles		
Plating			CITIZEN WATCH CO.,LTD. TOKYO,JAPAN		

MIYOTA

