

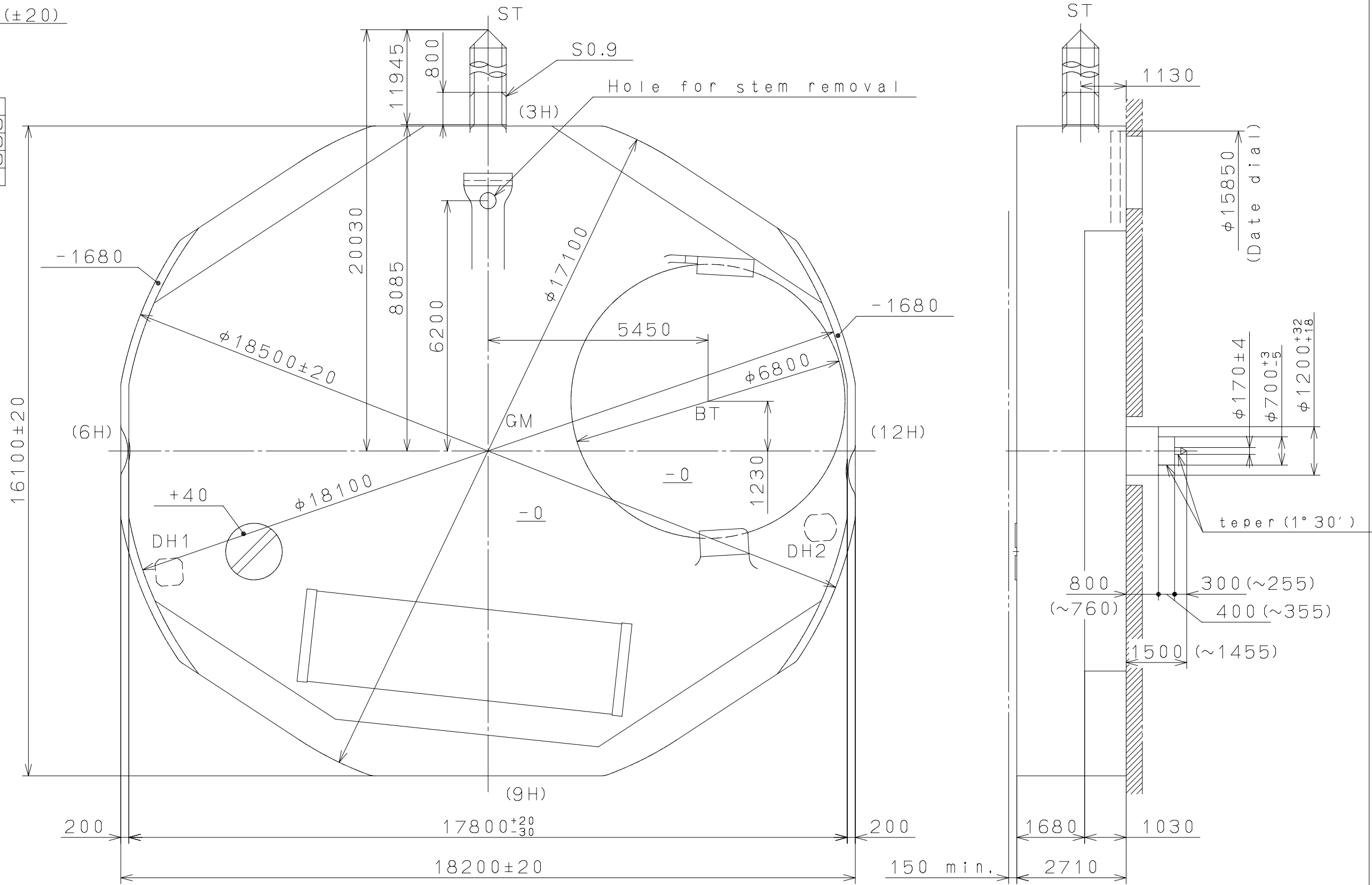
2011/12/05 (08:56:47)

This drawing is provisional and subject to our reconfirmation and/or revision without notice.

DH1~DH2=16171 (±20)

Coordinates

Mark	X	Y
GM	0	0
DH1	-7900	-3000
DH2	8234	-1900



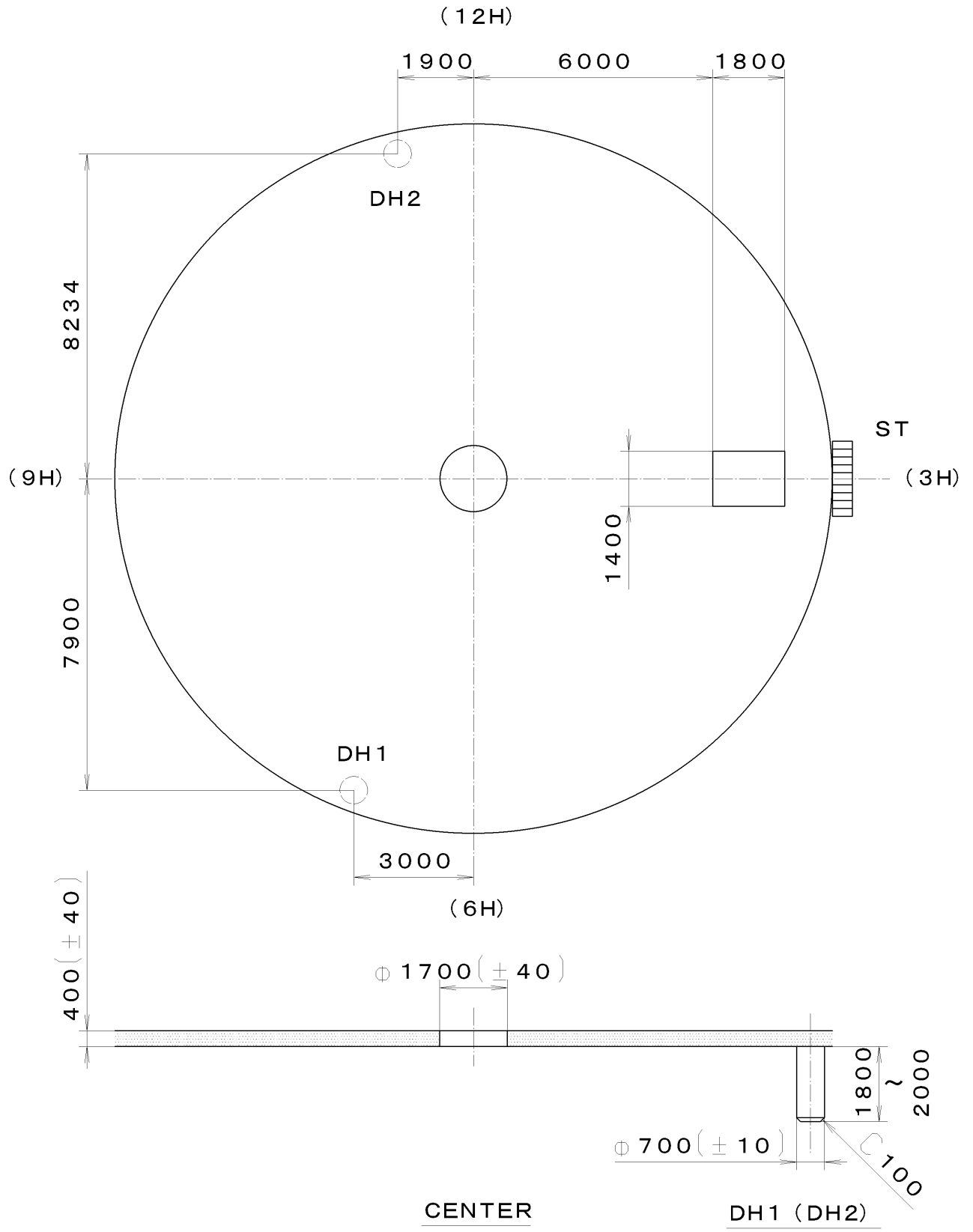
△5			Quantity		Cal.NO.:
△4			Unit	1/1000mm	GL10
△3			Scale	10:1	Parts No.:
△2			Date		
△1			Drawn		
Mark	Date	Description	Appr.	Checked	T. Hiruta
Alterations				Approved	Name:
					Frame for Case
					Drawing No.:GL10C0AS
Material			General Tolerances		
Heat Treatment			Dimensions		
Hardness			Angles		
Plating					

MIYOTA

CITIZEN WATCH CO.,LTD. TOKYO, JAPAN

This drawing is provisional and subject to our reconfirmation and/or revision without notice.

*** T I P W (01) *** (2100 1121) 03-06-03



7			Quantity		Cal. No. :	GL10-00A
6			Unit	1/1000 mm		
5			Scale	7:1	Parts:	Name: Indications for Dial Drawing No. : GL10D000
4			Date			
3			Drawn			
2			Checked	M. Fukuda		
1			Approved			
Material						
Heat Treatment			General Tolerances			MIYOTA
Hardness			Dimensions			
Plating			Angles			