

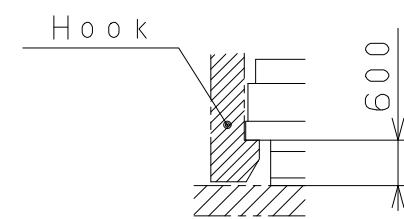
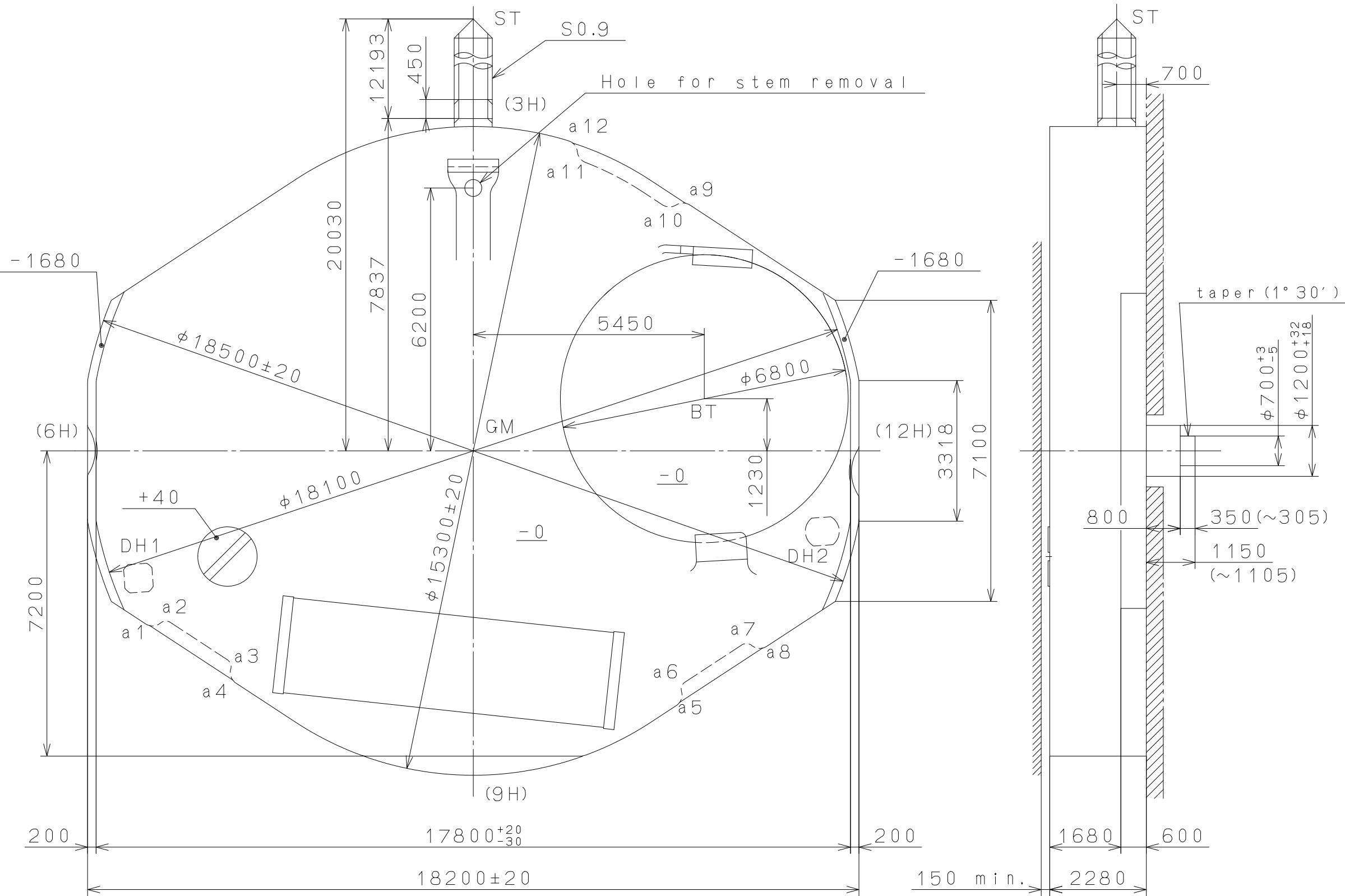
CONFIDENTIAL 2013/06/17 (14:25:59)

This drawing is provisional and subject to our reconfirmation and/or revision without notice.

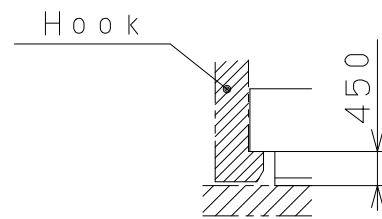
DH1~DH2=16171 (±20)

Coordinates

Mark	X	Y	R
GM	0	0	—
DH1	-7900	-3000	—
DH2	8234	-1900	—
a1	-7569	-3828	300
a2	-7252	-4215	200
a3	-5914	-5092	200
a4	-5433	-5228	300
a5	4625	-5757	300
a6	5106	-5621	200
a7	6444	-4745	200
a8	6761	-4358	300
a9	4947	5546	300
a10	4628	6054	300
a11	2754	7083	300
a12	2157	7026	300



Section a1~a4, a5~a8



Section a9~a12

△5			Quantity		Cal. NO.:
△4			Unit	1/1000 mm	GL20
△3			Scale	10 : 1	Parts No.:
△2			Date		
△1			Drawn		
Mark	Date	Description	Appr.	Checked	N. Suzuki
Alterations				Approved	Name:
Material				Frame for Case	
Heat Treatment				Drawing No.: GL20C001	
Hardness				General Tolerances	
Plating				Dimensions	
				Angles	
<b>MIYOTA</b>					
CITIZEN WATCH CO., LTD. TOKYO, JAPAN					

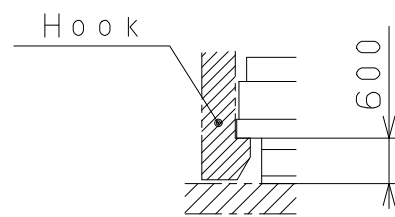
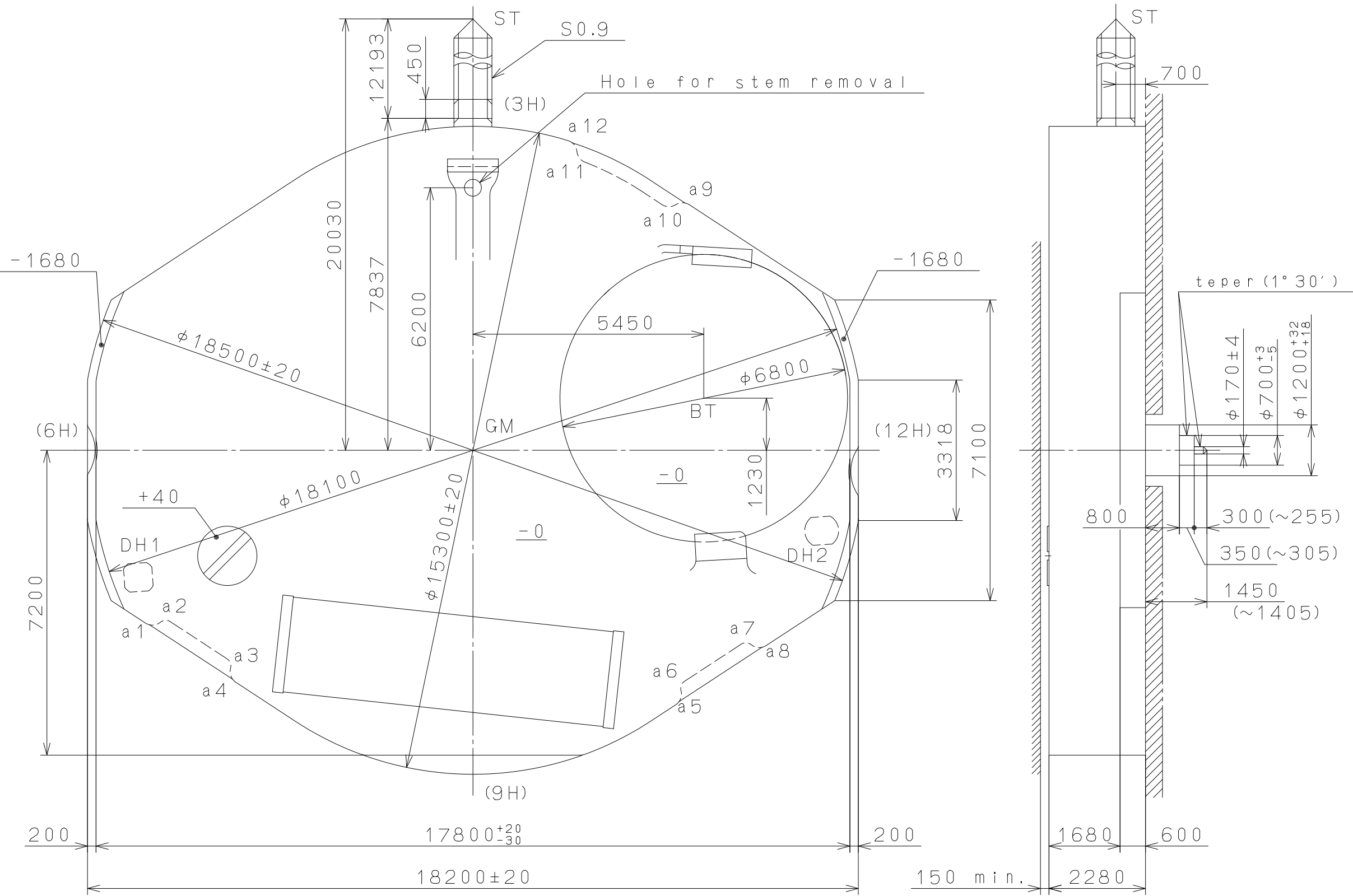
CONFIDENTIAL 2013/06/17 (14:16:18)

This drawing is provisional and subject to our reconfirmation and/or revision without notice.

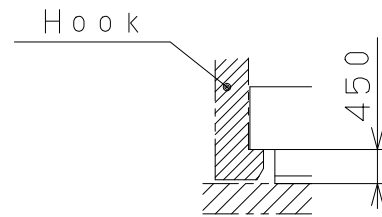
DH1~DH2=16171 (±20)

Coordinates

Mark	X	Y	R
GM	0	0	—
DH1	-7900	-3000	—
DH2	8234	-1900	—
a1	-7569	-3828	300
a2	-7252	-4215	200
a3	-5914	-5092	200
a4	-5433	-5228	300
a5	4625	-5757	300
a6	5106	-5621	200
a7	6444	-4745	200
a8	6761	-4358	300
a9	4947	5546	300
a10	4628	6054	300
a11	2754	7083	300
a12	2157	7026	300



Section a1~a4, a5~a8

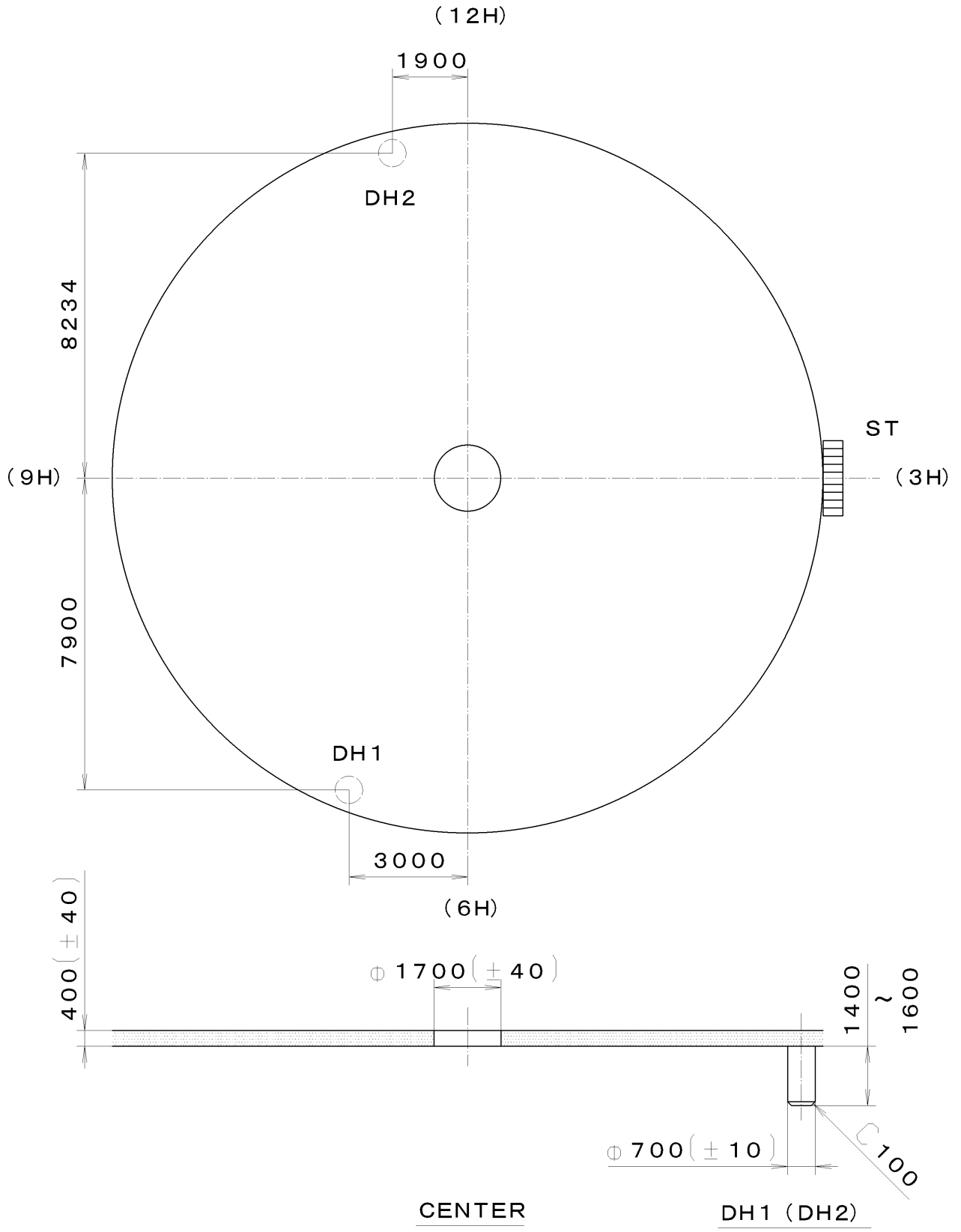


Section a9~a12

△5		Quantity		Cal. NO.:	
△4		Unit	1/1000 mm		GL30
△3		Scale	10 : 1	Parts No.:	
△2		Date			
△1		Drawn			
Mark	Date	Description	Appr.	Checked	N. Suzuki
Alterations				Approved	Name:
				Frame for Case	
Material				Drawing No.: GL30C001	
Heat Treatment				General Tolerances	
Hardness				Dimensions	
Plating				Angles	
<b>MIYOTA</b>					
CITIZEN WATCH CO., LTD. TOKYO, JAPAN					

This drawing is provisional and subject to our reconfirmation and/or revision without notice.

\*\*\* T I P W (01) \*\*\* (2100 1121) 03-06-02



△7			Quantity		Cal. No. :	GL30-00A
△6			Unit	1/1000 mm		
△5			Scale	7:1	Parts:	Name: Indications for Dial
△4			Date			
△3			Drawn			
△2			Checked	M. Fukuda	Drawing No. : GL30D000	
△1			Approved			
Material			General Tolerances			<b>CITIZEN</b> WATCH CO., LTD. TOKYO, JAPAN
Heat Treatment			Dimensions			
Hardness			Angles			
Plating						