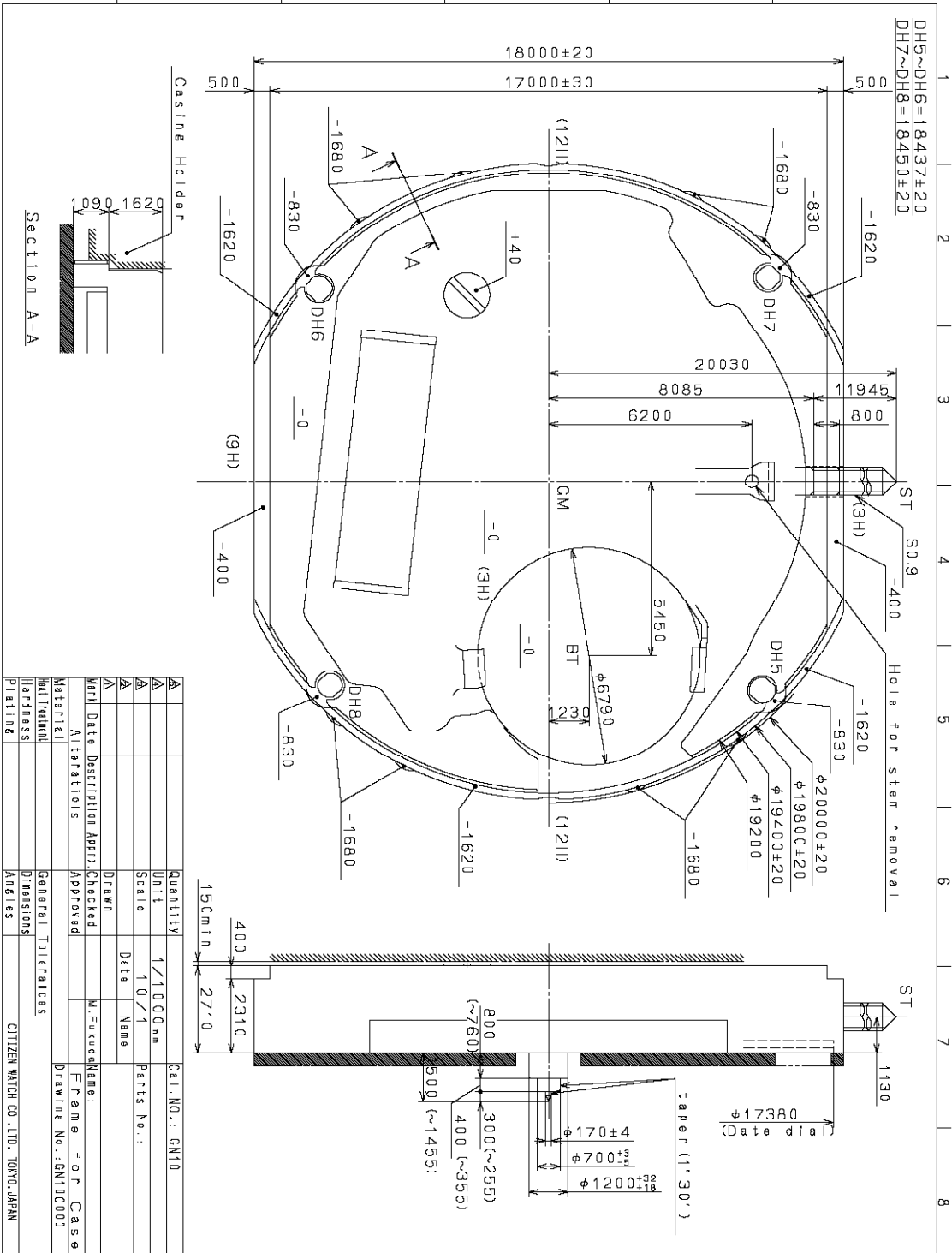


This drawing is provisional and subject to our reconfirmation and/or revision without notice.

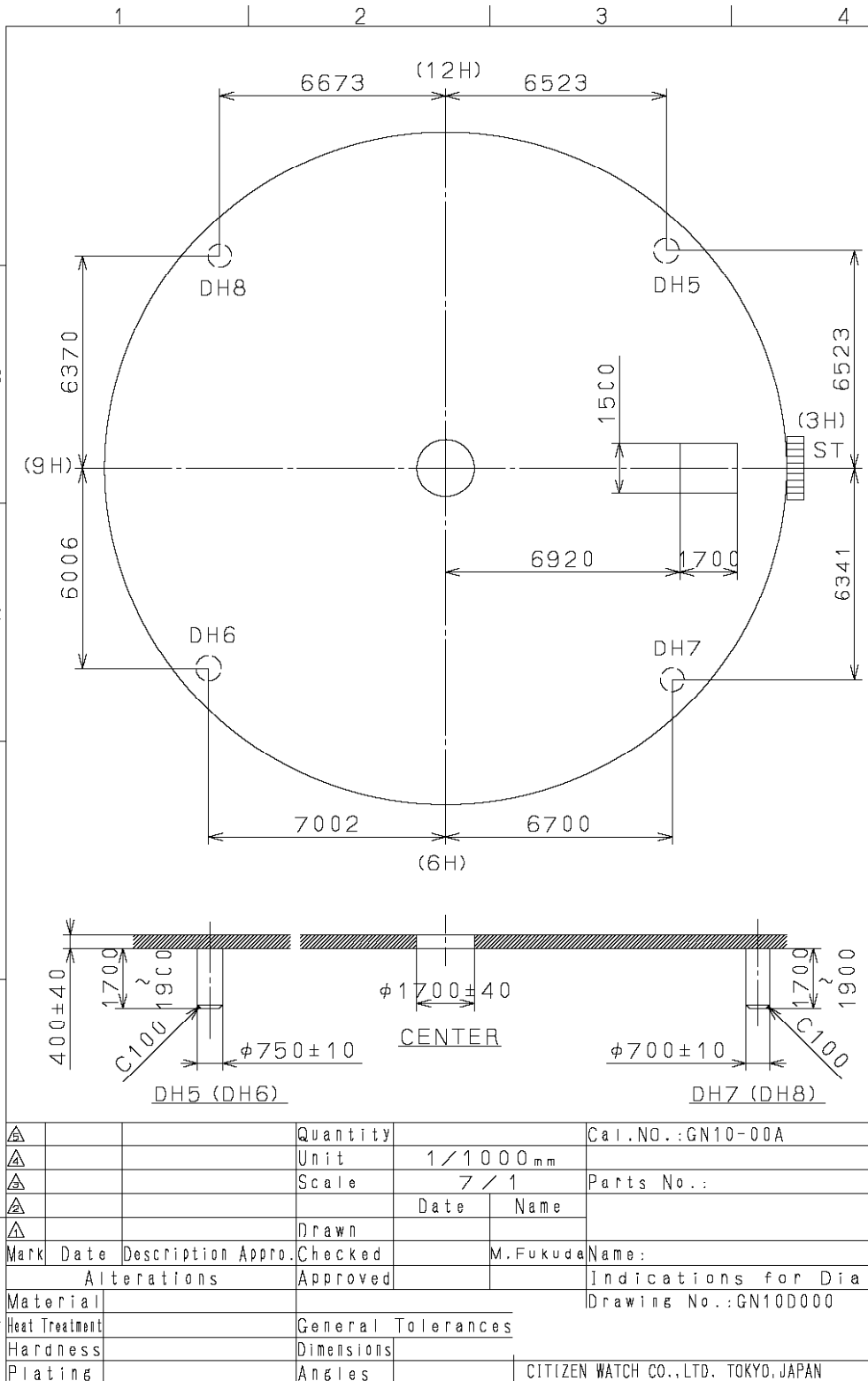


Quantity	1/1000mm	Cal. No.: GN10
Unit	10/1	Parts No.:
Scale	Date	Drawn Name:
Drawn	Checked	M. Fukuda Name:
Material	Approved	Frame for Case
Material	General Tolerances	Drawing No.: GN10C003
Hardness	Dimensions	
Plating	Angles	CITIZEN WATCH CO., LTD. TOKYO, JAPAN

Section A-A

2005/01/20 (17:44:09)

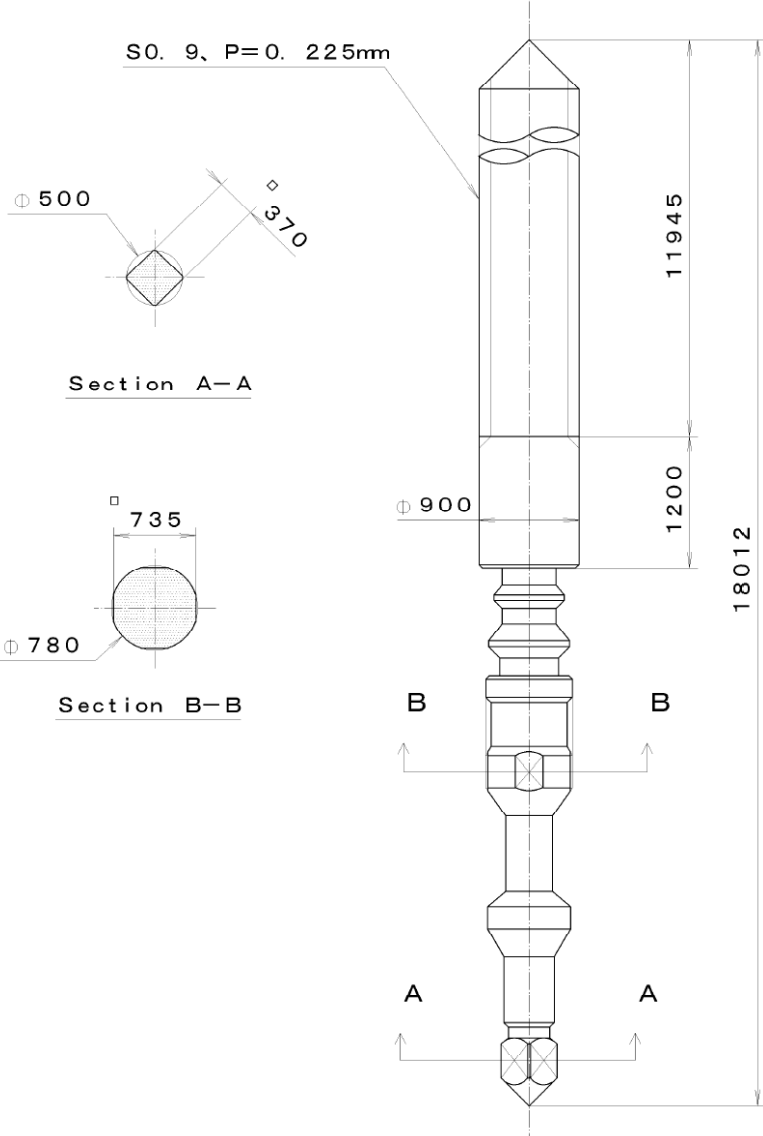
This drawing is provisional and subject to our reconfirmation and/or revision without notice.



△				Quantity		Cal.NO.:GN10-00A
△				Unit	1/1000mm	
△				Scale	7/1	Parts No.:
△					Date	Name
△				Drawn		
△				Checked	M.Fukuda	Name:
		Alterations		Approved		Indications for Dial
Material						Drawing No.:GN10D000
Heat Treatment				General Tolerances		
Hardness				Dimensions		
Plating				Angles		CITIZEN WATCH CO.,LTD. TOKYO,JAPAN

This drawing is provisional and subject to our reconfirmation and/or revision without notice.

065-547 (01) \*\*\* (2100 1121) 02-07-12



Quantity		Cal. No. :
Unit	1/1000 mm	Parts:
Scale	20:1	
Date		065-547
Drawn		
Checked	T. Hiruta	Name:
Approved		SETTING STEM
Material		Drawing No. : 5470S000
Heat Treatment		<b>CITIZEN</b> WATCH CO., LTD. TOKYO, JAPAN
Hardness		
Plating		
General Tolerances		
Dimensions		
Angles		