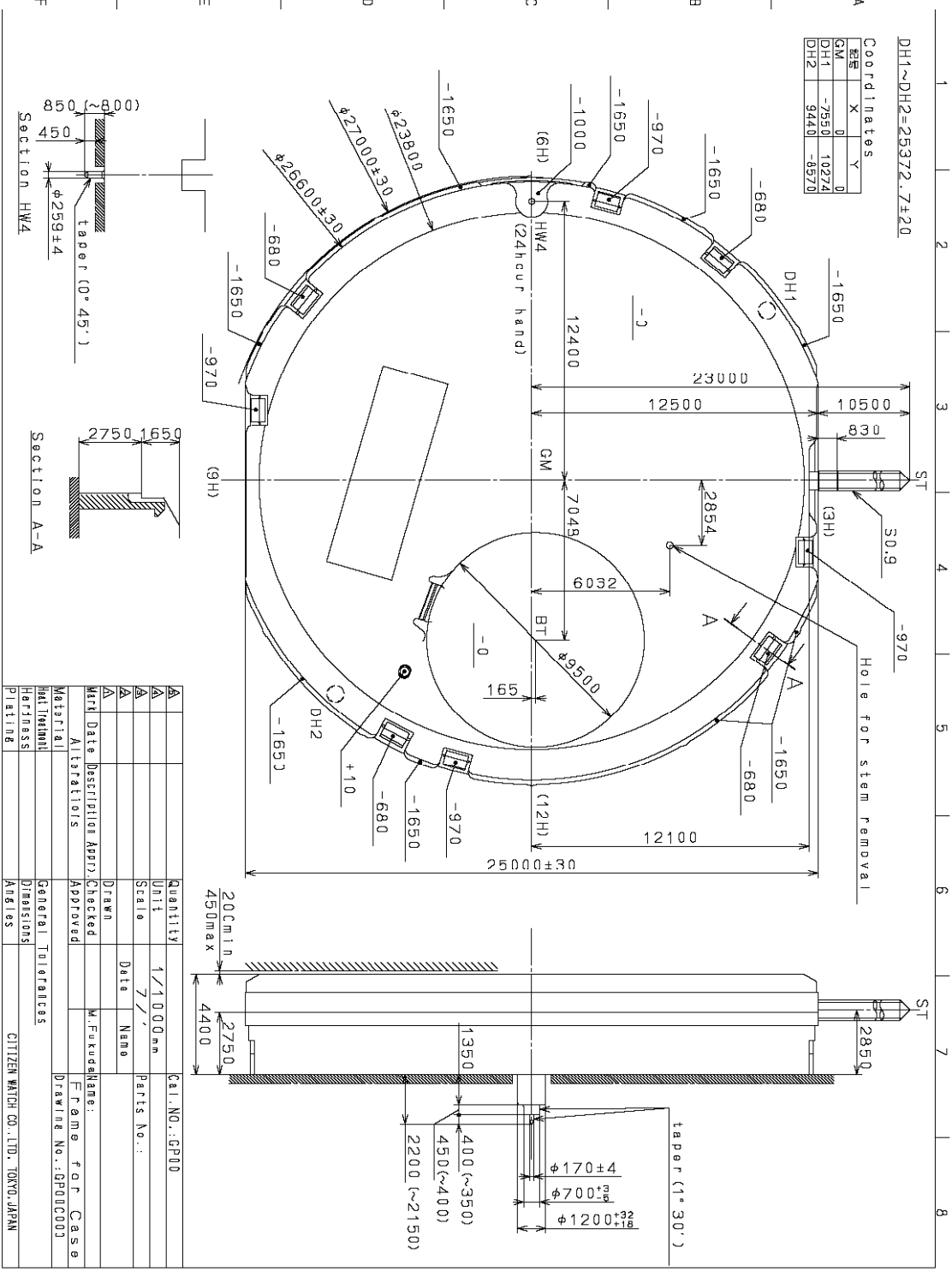


2005/02/03 (08:15:13)

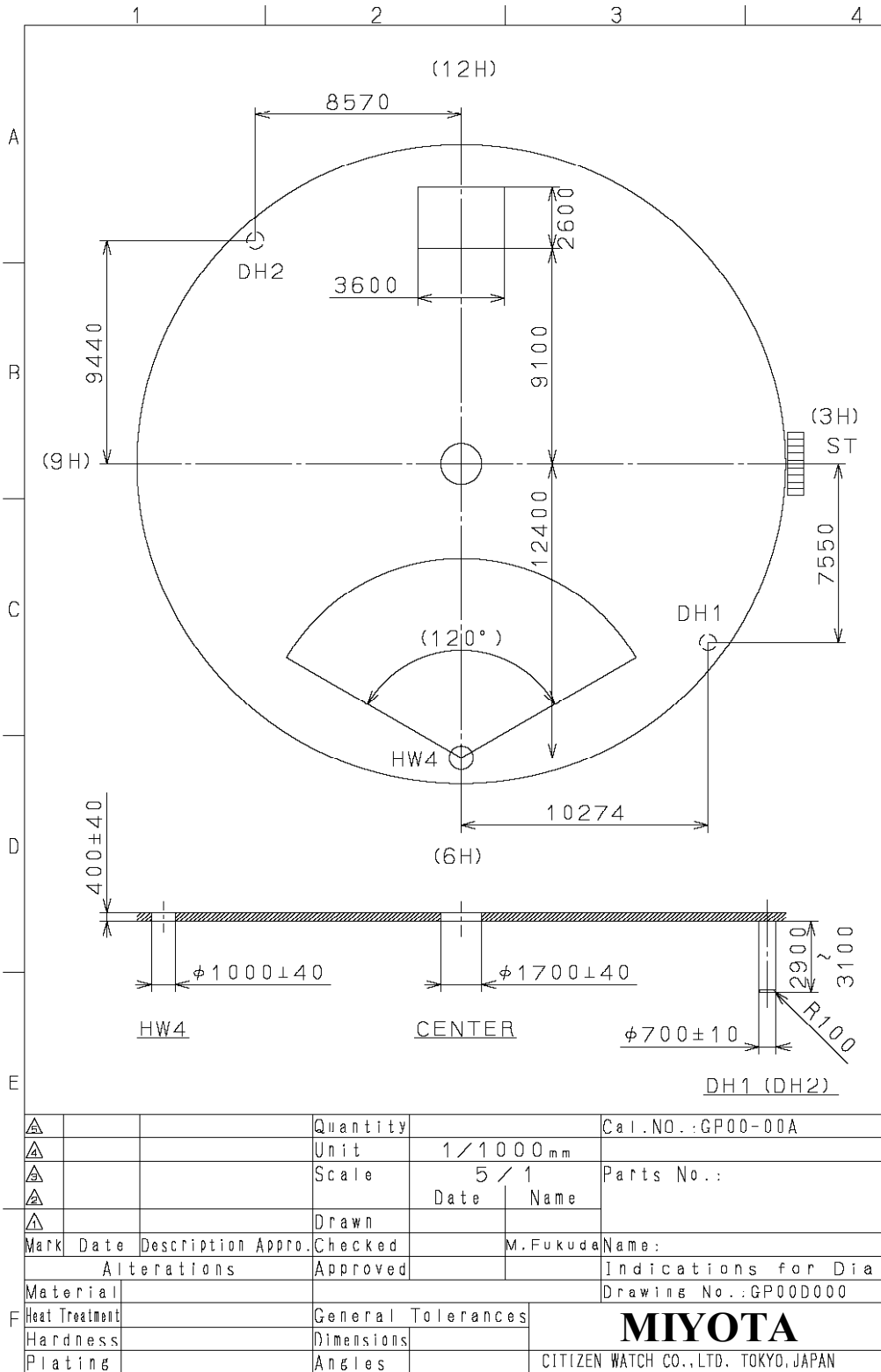
This drawing is provisional and subject to our reconfirmation and/or revision without notice.



Quantity	1	Cal. NO. : GP00
Unit	1/1000mm	Parts No. :
Scale	7/7	Drawn Name
Date		Checked
Material		Approved
Alterations		M. FukudaName:
Material		Frame for Case
Material		Drawn No. : GP00C001
Dimensions		
General Tolerances		
Plating		
CITIZEN WATCH CO., LTD., TOKYO, JAPAN		

2005/02/02 (09:23:31)

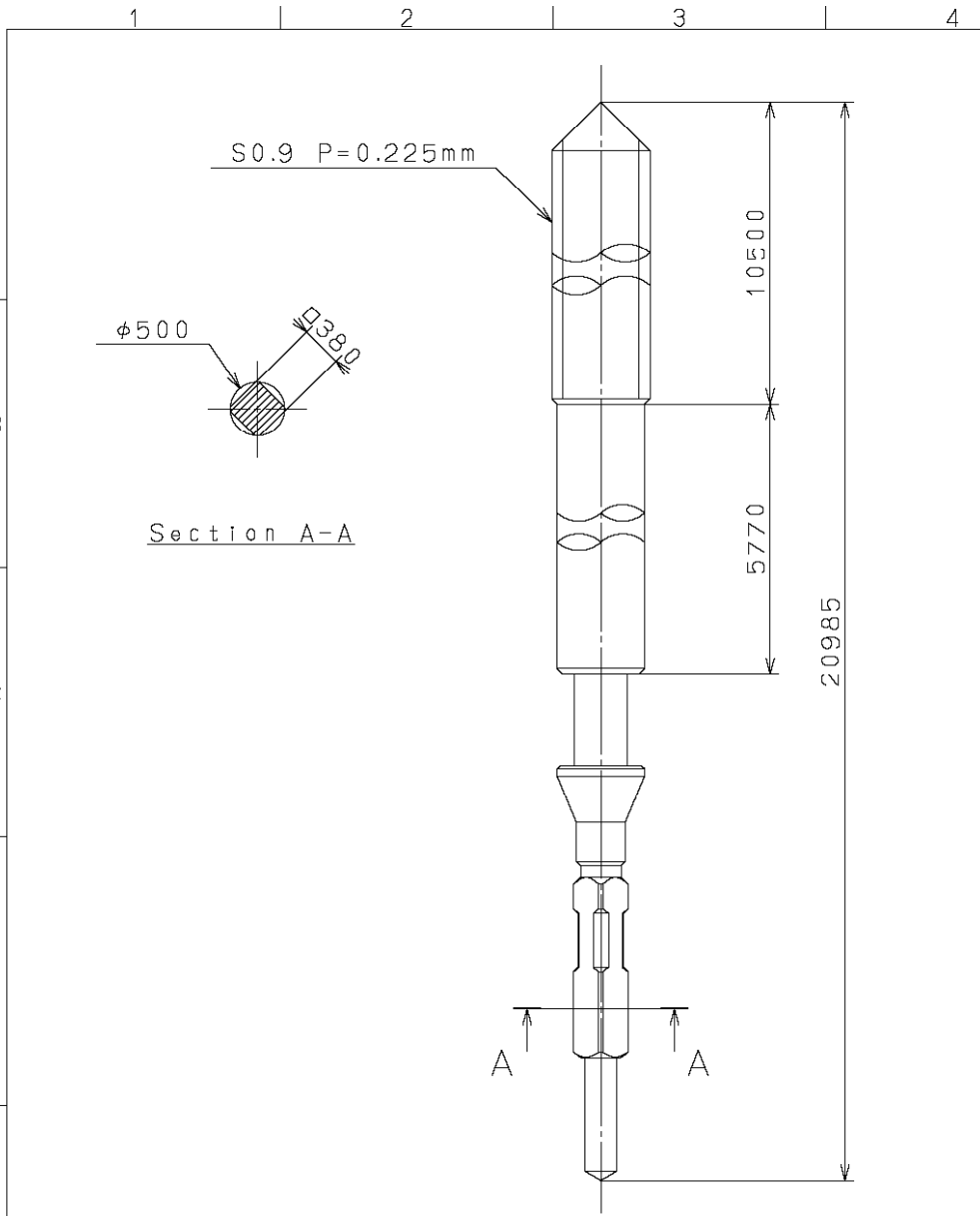
This drawing is provisional and subject to our reconfirmation and/or revision without notice.



△			Quantity	Cal. NO.: GP00-00A	
△			Unit	1 / 1000 mm	
△			Scale	5 / 1	
△			Drawn	Date	Name
Mark	Date	Description	Appr.	Checked	M. Fukuda Name:
Alterations			Approved		Indications for Dial
Material					Drawing No.: GP00D000
Heat Treatment			General Tolerances		MIYOTA
Hardness			Dimensions		
Plating			Angles		
CITIZEN WATCH CO., LTD. TOKYO, JAPAN					

2005/02/01 (17:07:32)

This drawing is provisional and subject to our reconfirmation and/or revision without notice.



△			Quantity		Cal.NO.:
△			Unit	1/1000mm	
△			Scale	20/1	Parts No.:
△				Date	Name
△			Drawn		065-992
Mark	Date	Description	Appr.	Checked	M. Fukuda Name:
		Alterations	Approved		SETTING STEM
Material					Drawing No.: 9920S000
Heat Treatment			General Tolerances		MIYOTA
Hardness			Dimensions		
Plating			Angles		
					CITIZEN WATCH CO., LTD. TOKYO, JAPAN