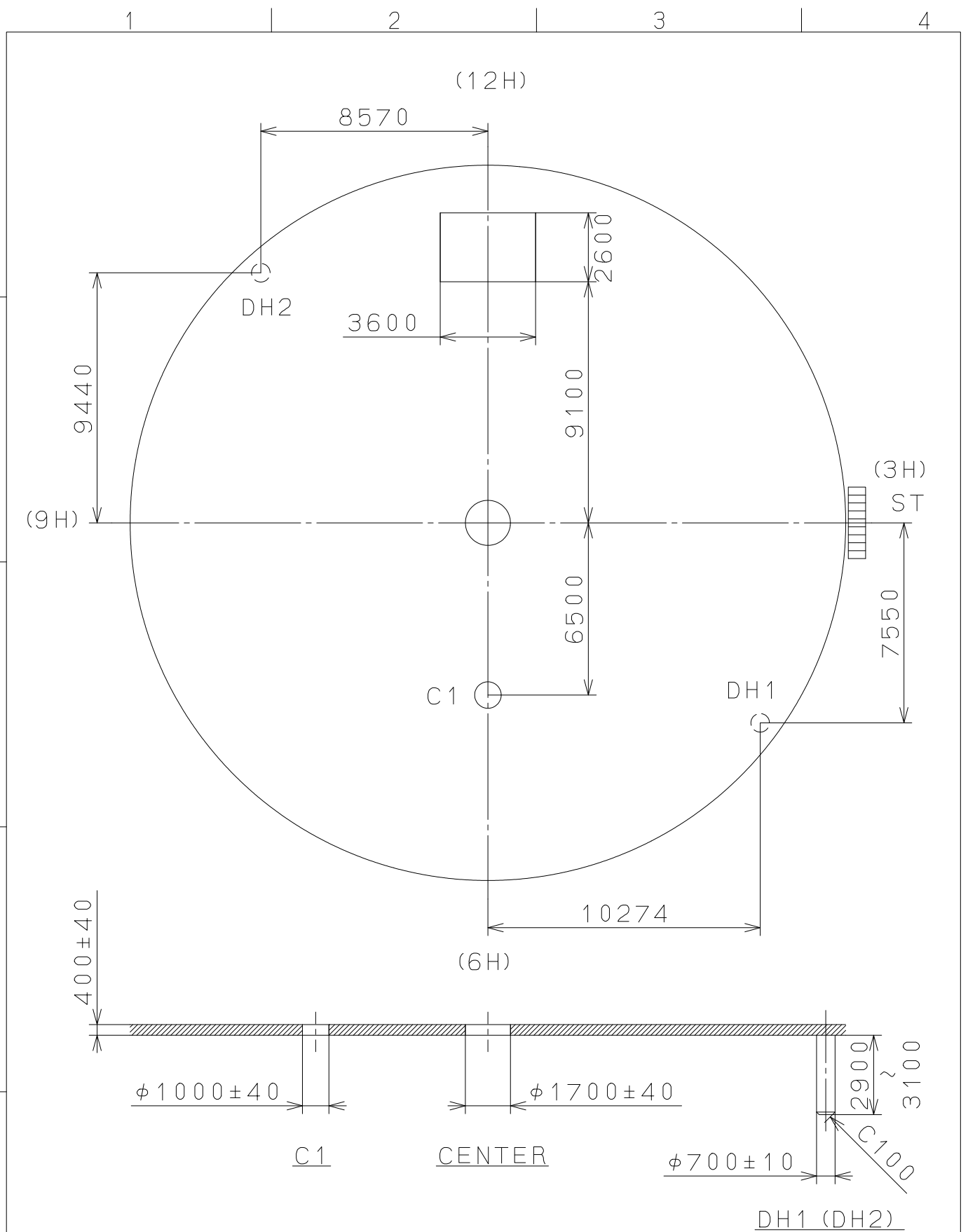


2009/05/07 (11:17:28)

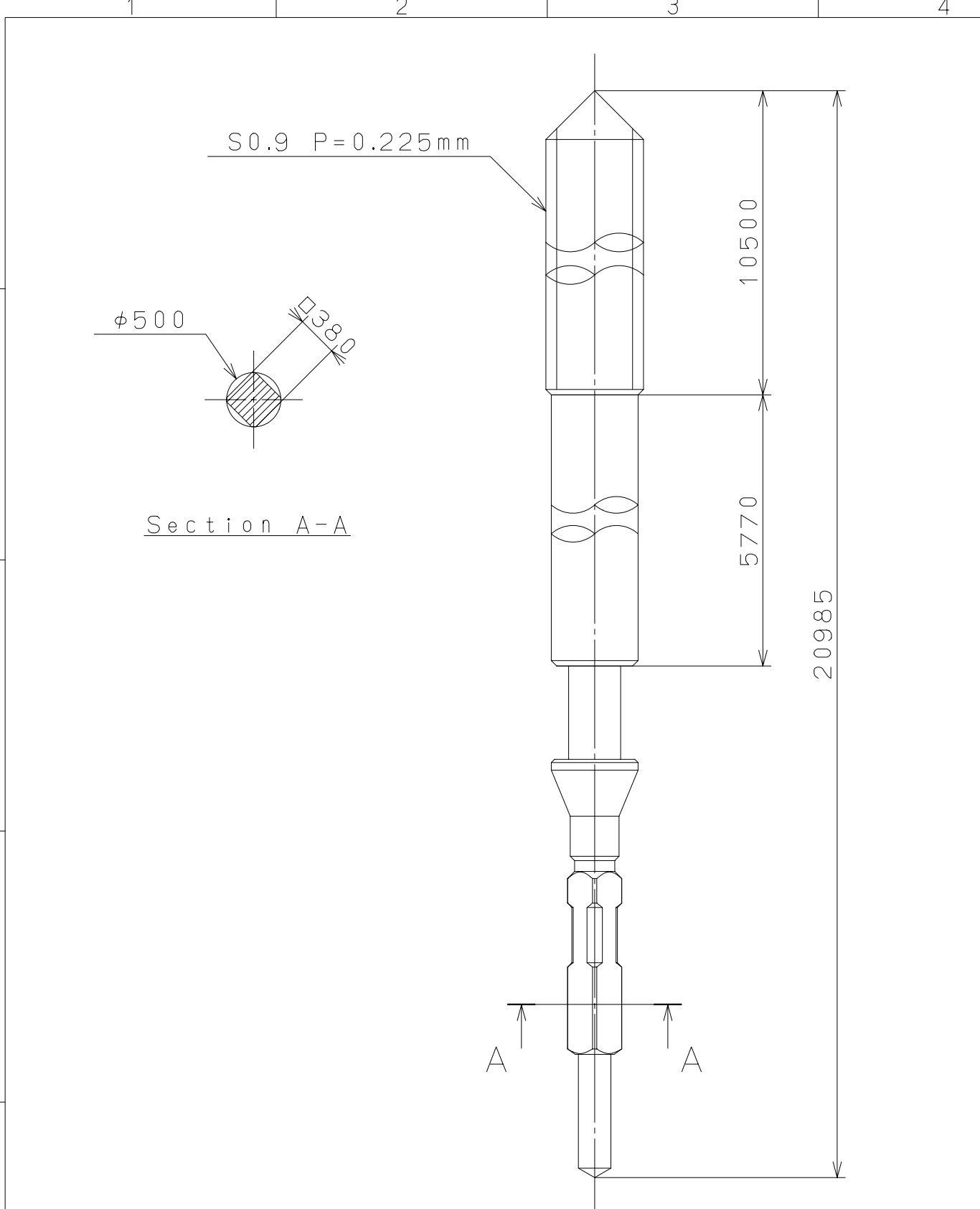
This drawing is provisional and subject to our reconfirmation and/or revision without notice.



△			Quantity		Cal.NO.:
△			Unit	1/1000mm	GP10-00A
△			Scale	5:1	Parts No.:
△			Date		
△			Drawn		
Mark	Date	Description	Appro.	Checked	M. Fukuda
Alterations			Approved	Name:	
Material					Indications for Dial
Heat Treatment					Drawing No.: GP10D000
Hardness					MIYOTA
Plating					
					CITIZEN WATCH CO., LTD. TOKYO, JAPAN

2005/02/01 (17:07:32)

This drawing is provisional and subject to our reconfirmation and/or revision without notice.



△			Quantity			Cal.NO.:
△			Unit	1 / 1000 mm		
△			Scale	20 / 1		Parts No.:
△				Date	Name	065-992
△			Drawn			
Mark	Date	Description	Appr.	Checked	M. Fukuda	Name:
Alterations			Approved	SETTING STEM		
Material						Drawing No.: 9920S000
Heat Treatment	General Tolerances					
Hardness	Dimensions					
Plating	Angles					CITIZEN WATCH CO., LTD. TOKYO, JAPAN