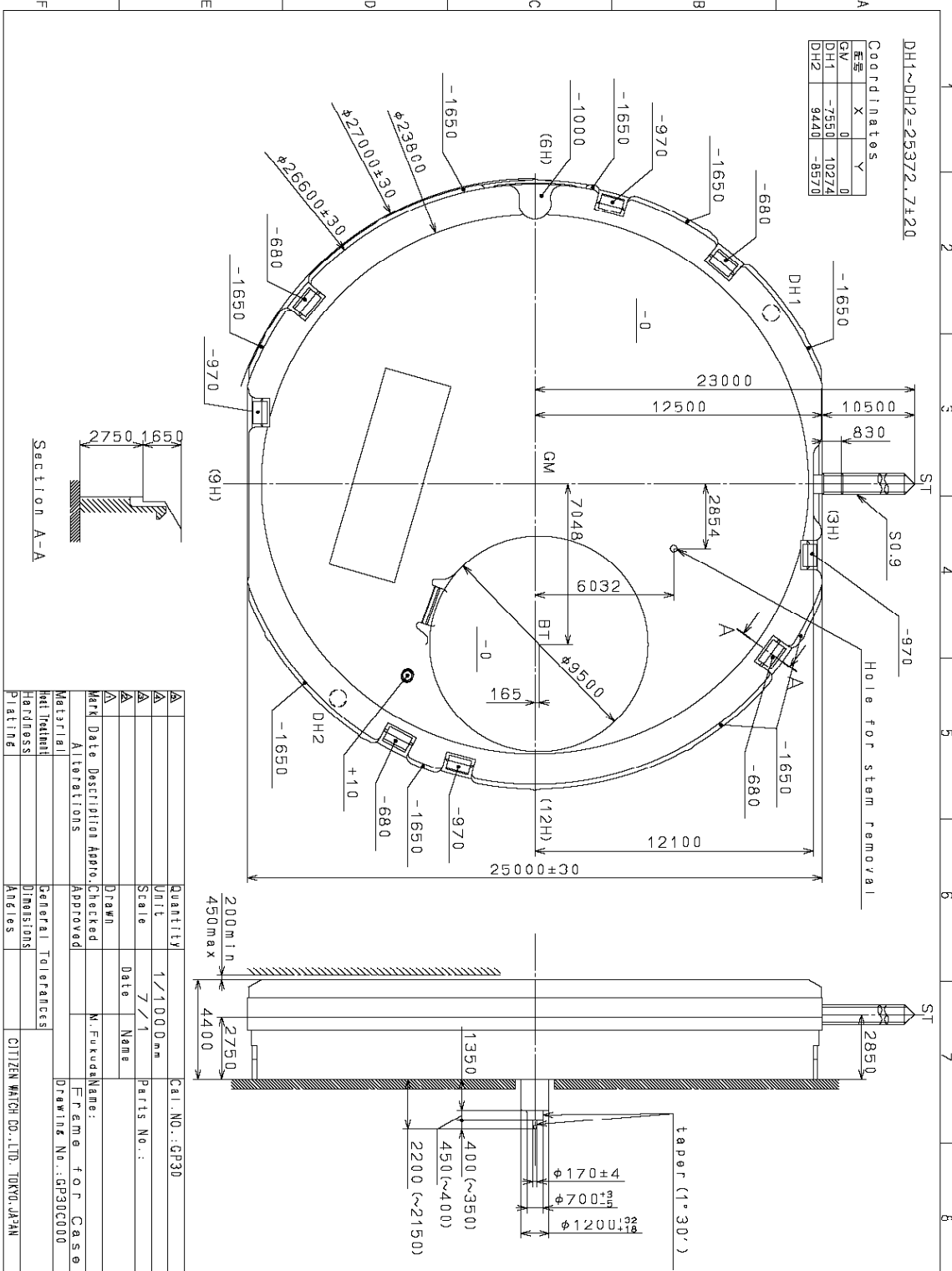


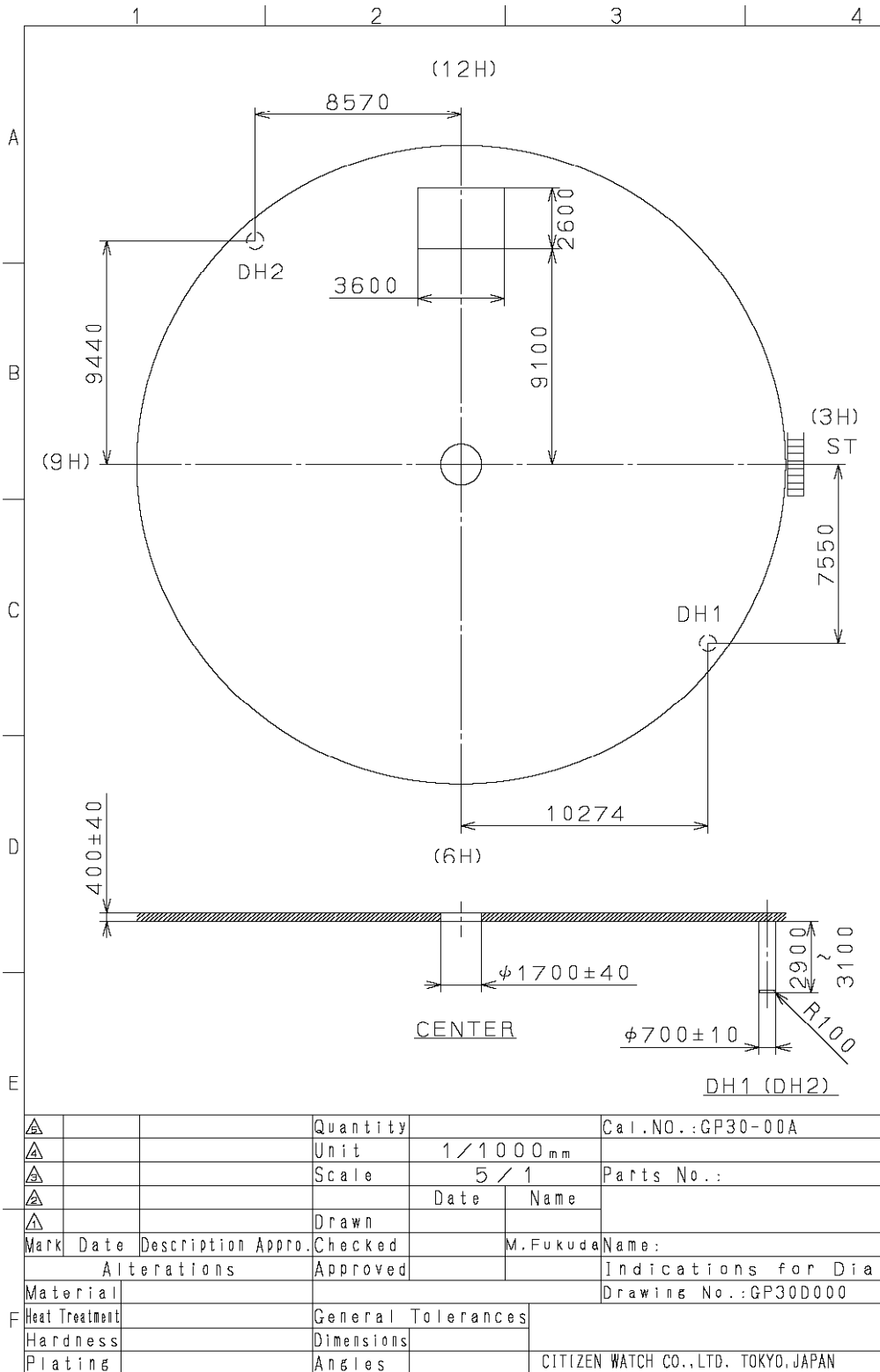
2005/02/03 (08:13:16)

This drawing is provisional and subject to our reconfirmation and/or revision without notice.



2005/02/01 (17:10:31)

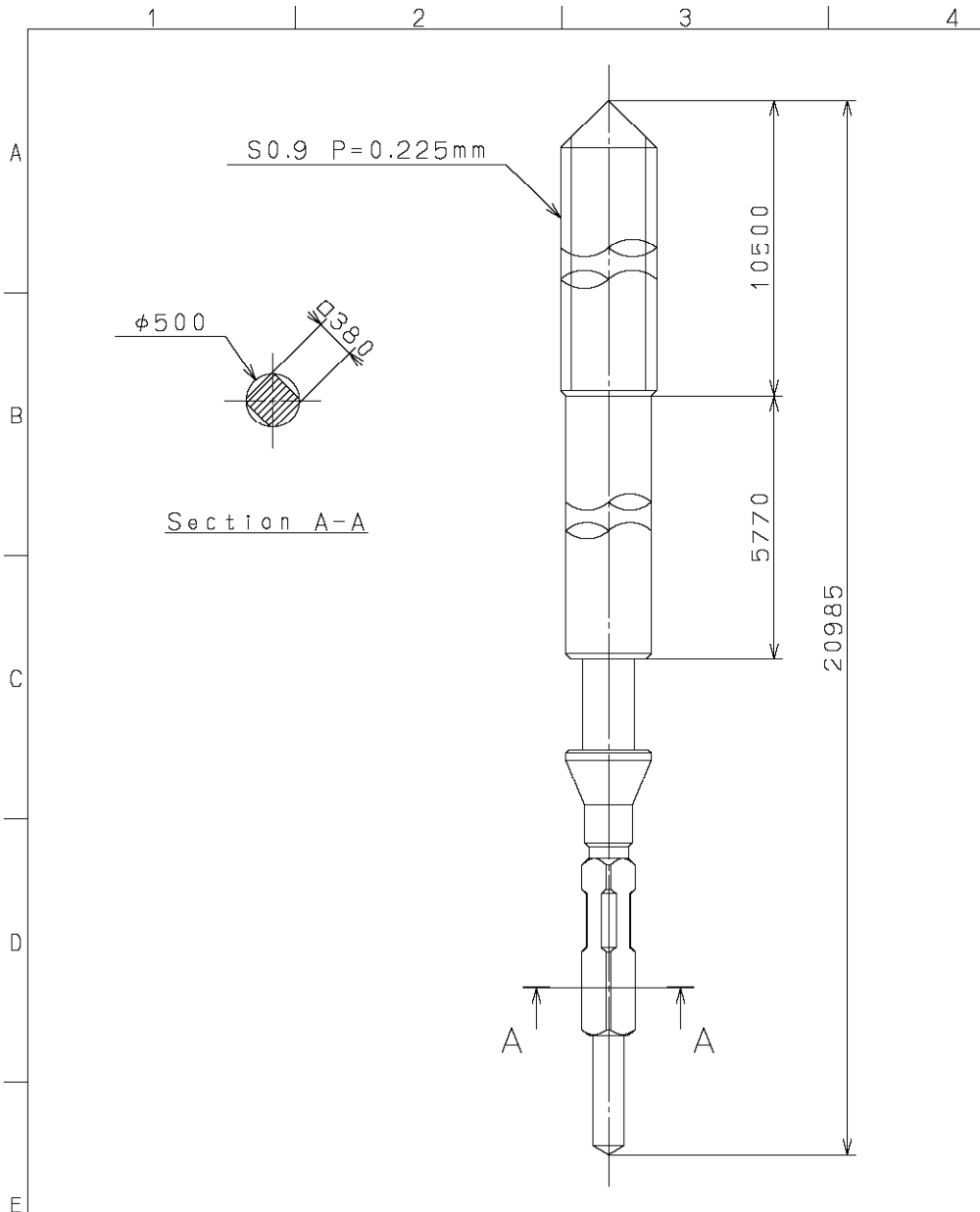
This drawing is provisional and subject to our reconfirmation and/or revision without notice.



△			Quantity	Cal.NO.:GP30-00A	
△			Unit	1/1000mm	
△			Scale	5/1	
△			Drawn	Date	Name
△			Checked	M.Fukuda	
△			Approved	Name:	
△			Alterations	Indications for Dial	
△			Material	Drawing No.:GP30D000	
△			Heat Treatment	General Tolerances	
△			Hardness	Dimensions	
△			Plating	Angles	
			CITIZEN WATCH CO.,LTD. TOKYO, JAPAN		

2005/02/01 (17:07:32)

This drawing is provisional and subject to our reconfirmation and/or revision without notice.



△			Quantity	Cal. NO.:	
△			Unit	1 / 1000 mm	
△			Scale	20 / 1	
△			Drawn	Date	Name
△			Checked	M. Fukuda	
	Alterations	Approved	Name: 065-992		
			Drawing No.: 9920S000		
	Material		General Tolerances		
	Heat Treatment		Dimensions		
	Hardness		Angles		
	Plating		CITIZEN WATCH CO., LTD. TOKYO, JAPAN		