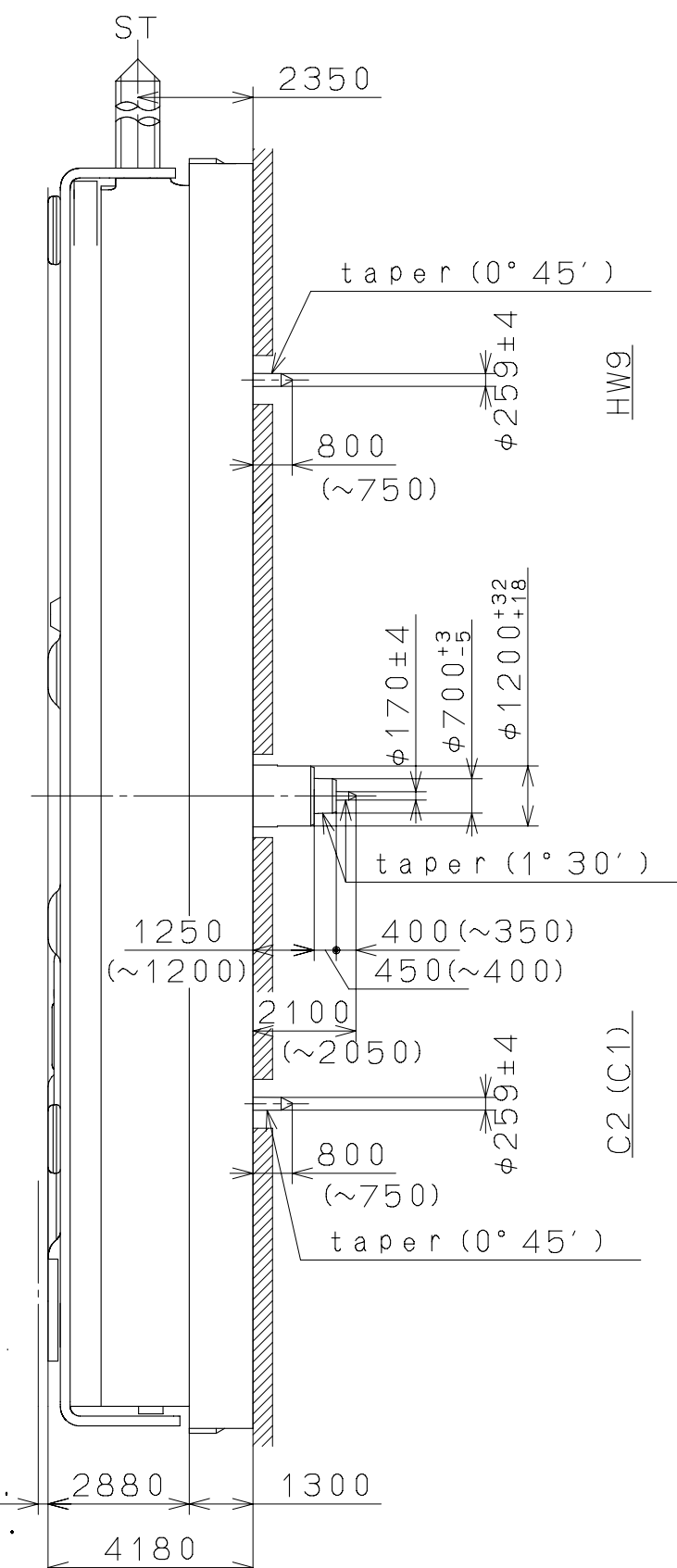
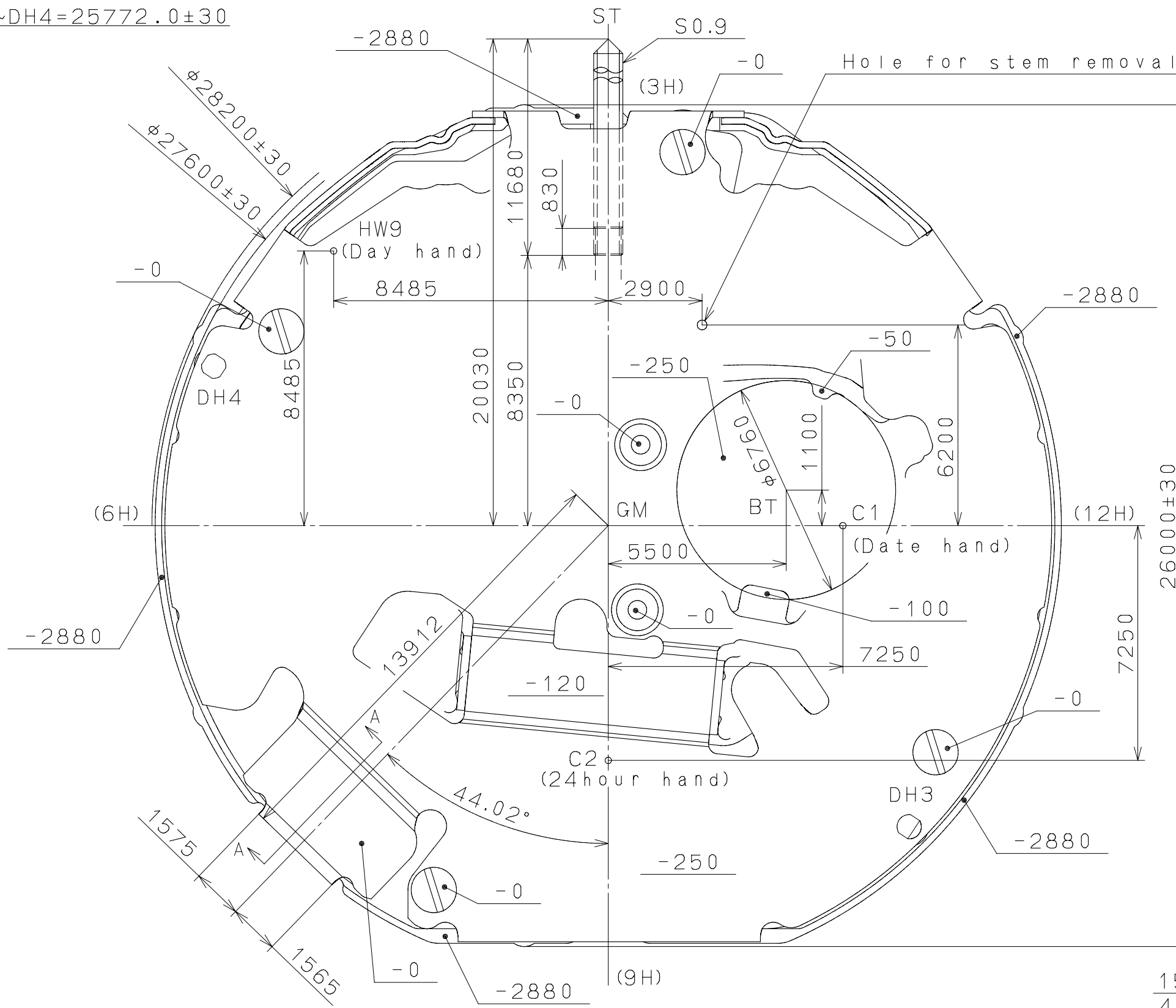


2008/02/04 (16:40:36)

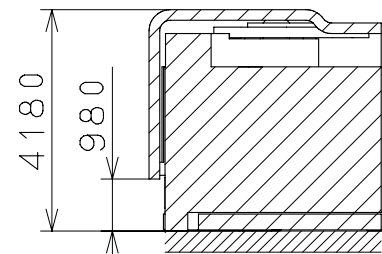
This drawing is provisional and subject to our reconfirmation and/or revision without notice.

DH3~DH4=25772.0±30



Coordinates

記号	X	Y
GM	0	0
DH3	9298	-9298
DH4	-12192	4926



Section A-A

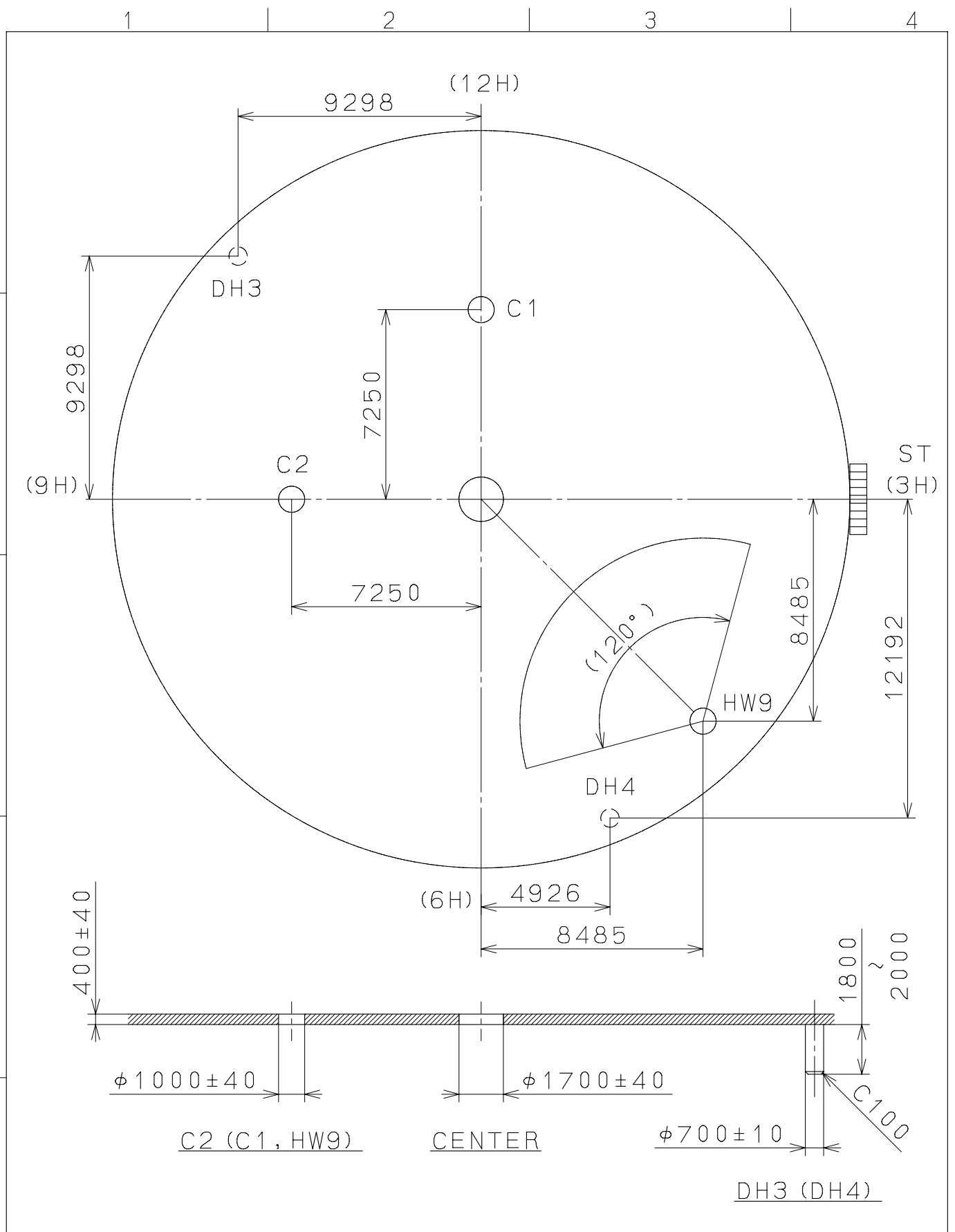
△5			Quantity		Cal.NO.:
△4			Unit	1/1000mm	JR00
△3			Scale	7 : 1	Parts No.:
△2			Date		
△1			Drawn		
Mark	Date	Description	Appr.	Checked	N. Suzuki
Alterations				Approved	Name:
				Frame for Case	
Material				Drawing No.:JR00C00	
Heat Treatment				General Tolerances	
Hardness				Dimensions	
Plating				Angles	

**MIYOTA**

CITIZEN WATCH CO.,LTD. TOKYO,JAPAN

2008/02/04 (15:47:16)

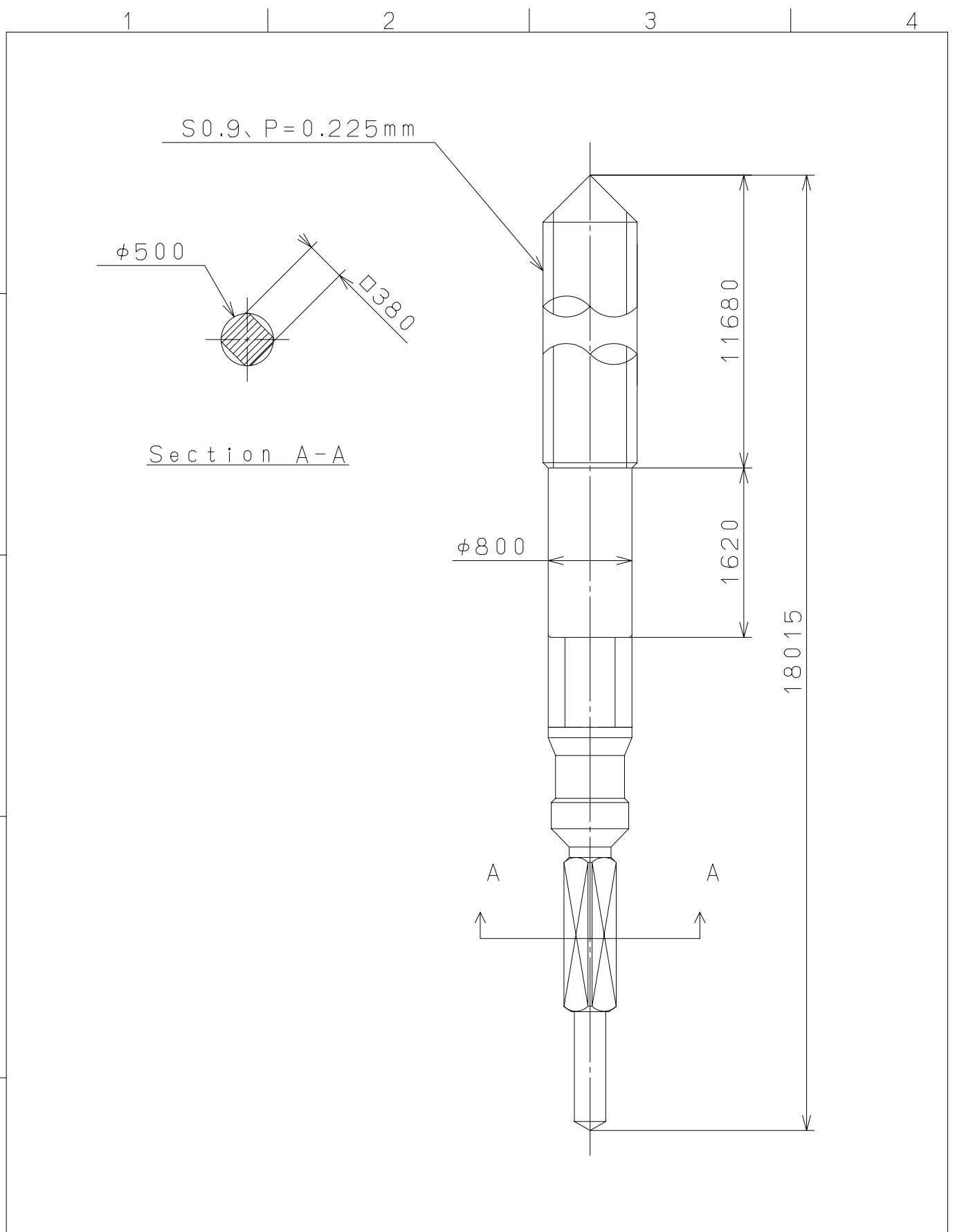
This drawing is provisional and subject to our reconfirmation and/or revision without notice.



△			Quantity		Cal.NO.:
△			Unit	1/1000mm	JR00-00A
△			Scale	5:1	Parts No.:
△			Date		
△			Drawn		
Mark	Date	Description	Appr.	Checked	Name:
		Alterations	Approved	N. Suzuki	Indications for Dial
Material					Drawing No.: JR00D000
Heat Treatment			General Tolerances	<b>MIYOTA</b> CITIZEN WATCH CO., LTD. TOKYO, JAPAN	
Hardness			Dimensions		
Plating			Angles		

2006/12/25 (07:50:10)

This drawing is provisional and subject to our reconfirmation and/or revision without notice.



⑤			Quantity		Cal.NO.:
④			Unit	1 / 1000 mm	
③			Scale	20 / 1	Parts No.:
②			Date		065-505
①			Drawn		Name:
Mark	Date	Description	Appr.	Checked	T.Hiruta
Alterations			Approved	SETTING STEM	
Material				Drawing No.: 5050S000	
Heat Treatment				<b>MIYOTA</b> CITIZEN WATCH CO., LTD. TOKYO, JAPAN	
Hardness					
Plating					