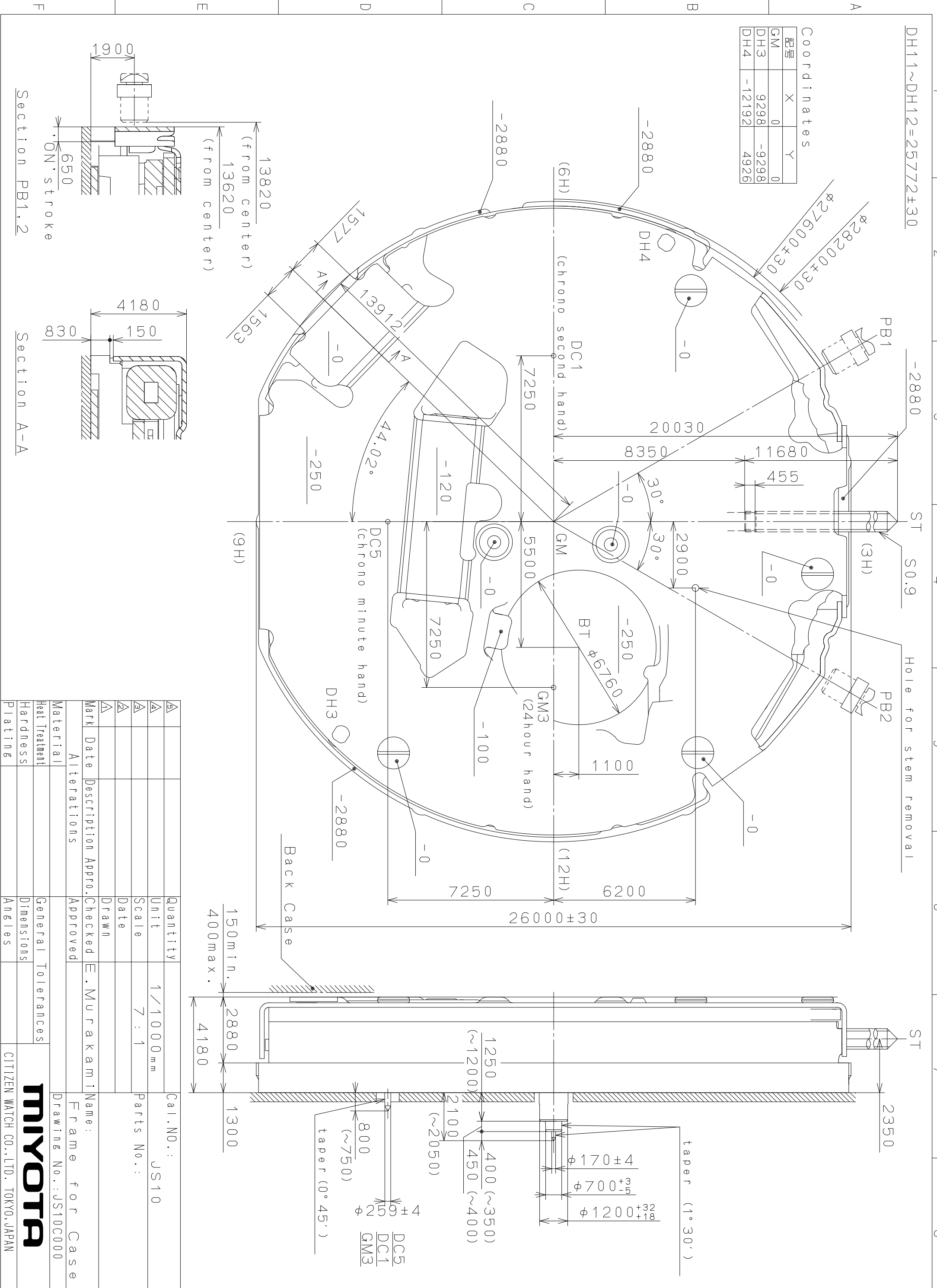


This drawing is provisional and subject to our reconfirmation and/or revision without notice.



Coordinates

記号	X	Y
GM	0	0
DH3	9298	-9298
DH4	-12192	4926

Mark	Date	Description	Appro.	Checked	Drawn
△					
△					
△					
△					
△					
△					

Alterations	Quantity	Unit	Scale	Date	Drawn
	1	1/1000 mm	7:1		

Material	Heat Treatment	Hardness	Plating

General Tolerances	Dimensions	Angles

Name:	Frame for Case

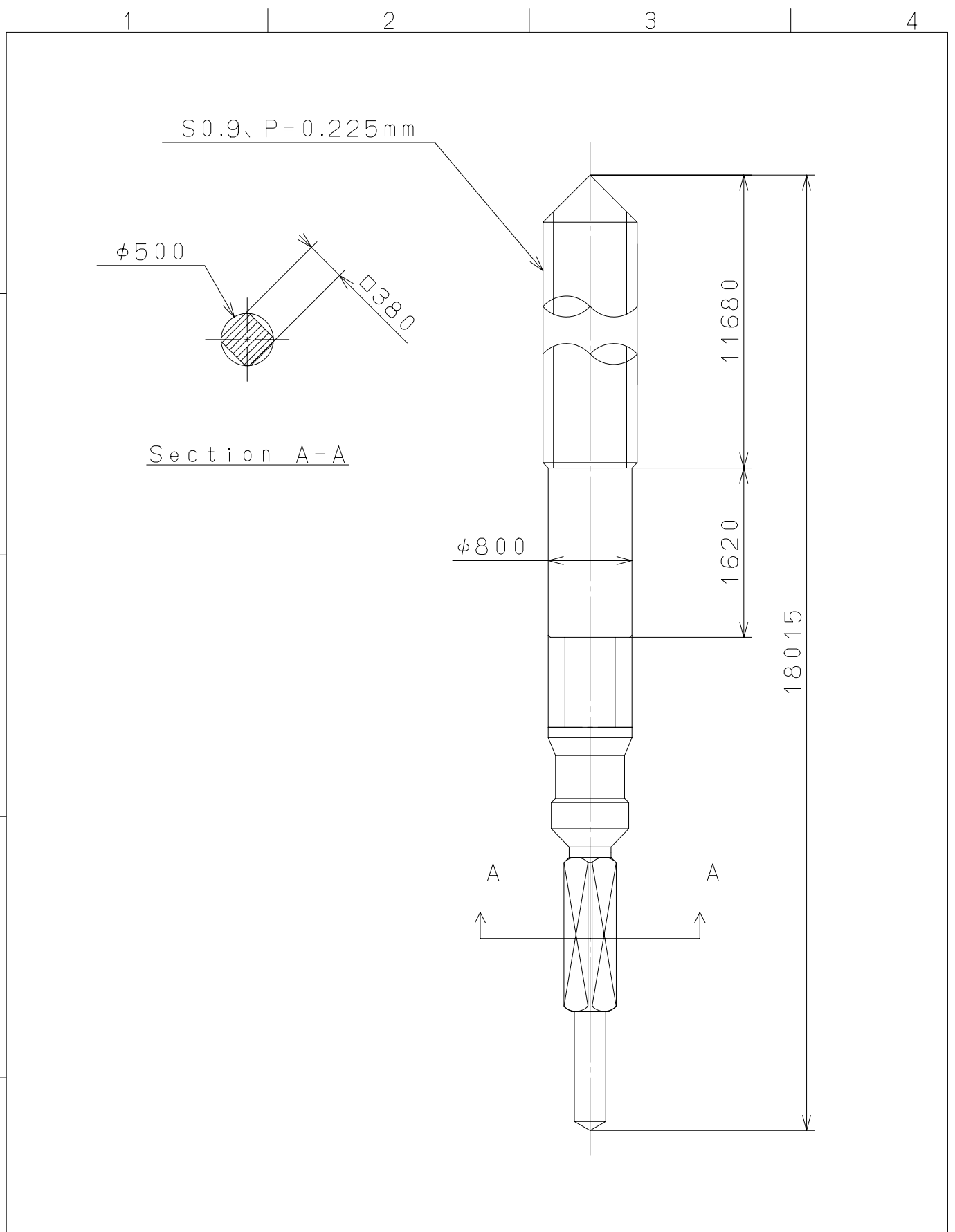
Cal. NO.:	Parts No.:
JS10	

Drawing No.:	JS10C000

MIYOTA
CITIZEN WATCH CO., LTD. TOKYO, JAPAN

2006/12/25 (07:50:10)

This drawing is provisional and subject to our reconfirmation and/or revision without notice.



△5			Quantity		Cal.NO.:
△4			Unit	1 / 1000 mm	
△3			Scale	20 / 1	Parts No.:
△2			Date		065-505
△1			Drawn		
Mark	Date	Description	Appr.	Checked	Name:
		Alterations		Approved	T.Hiruta
Material					SETTING STEM
Heat Treatment					Drawing No.: 5050S000
Hardness					MIYOTA
Plating					