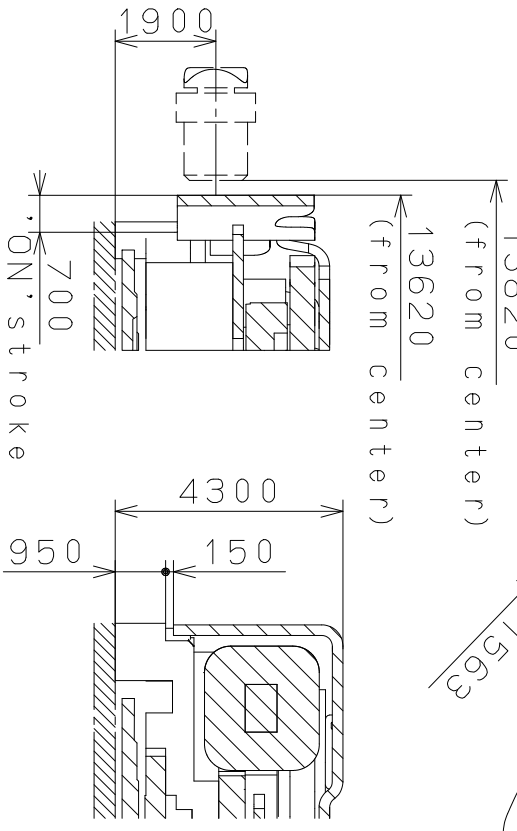
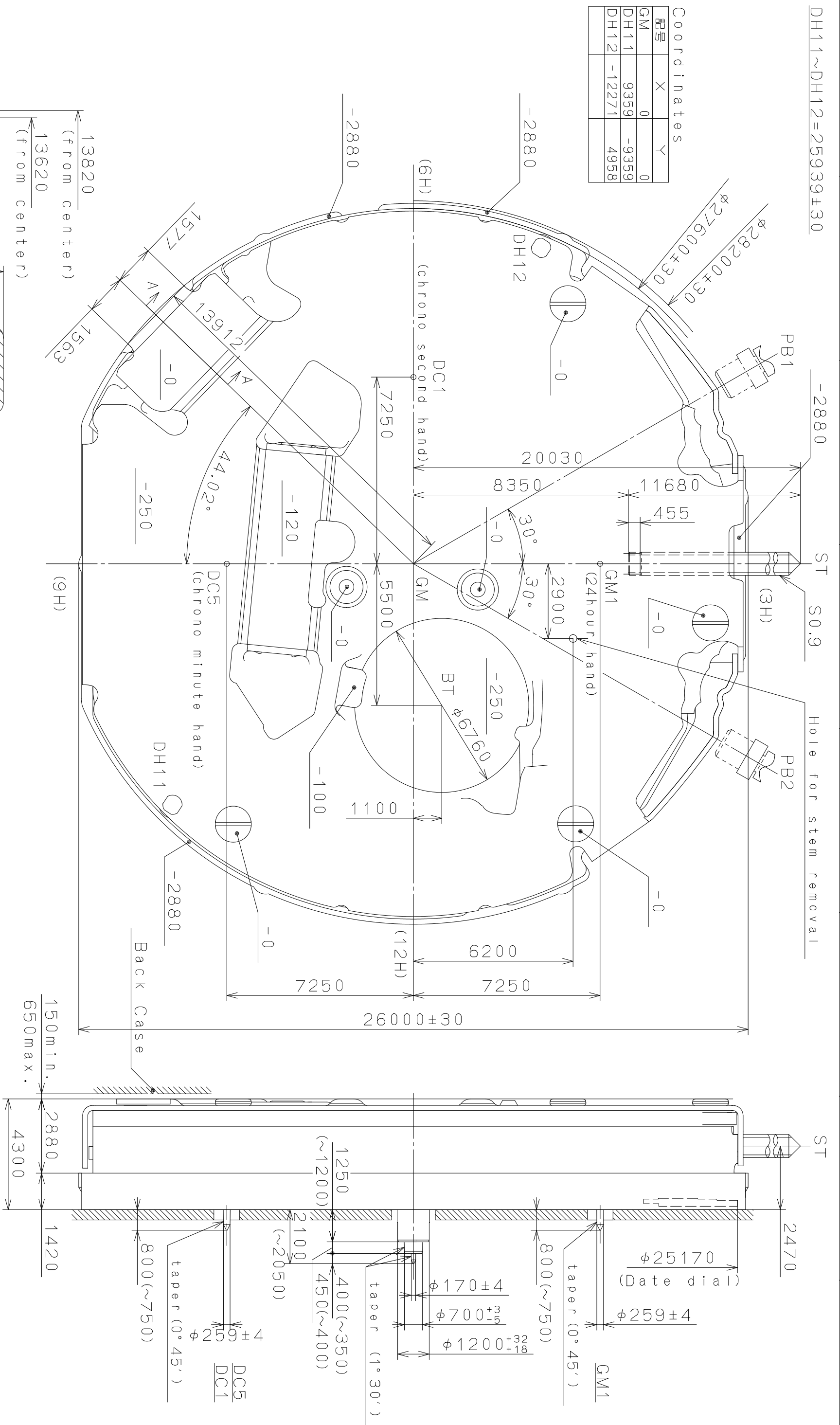


This drawing is provisional and subject to our reconfirmation and/or revision without notice.

Coordinates		
記号	X	Y
GM	0	0
DH11	9359	-9359
DH12	-12271	4958



△	Quantity	Unit	Cal. NO.:
△	1	1/1000 mm	JS25
△	Scale	7 : 1	Parts No.:
△	Date		
△	Drawn		
△	Checked		
△	Approved		
Mark	Date	Description	Appro. Checked
			N. Suzuki
Alterations		Approved	
Material			
Heat Treatment			
Hardness			
Plating			
General Tolerances			
Dimensions			
Angles			

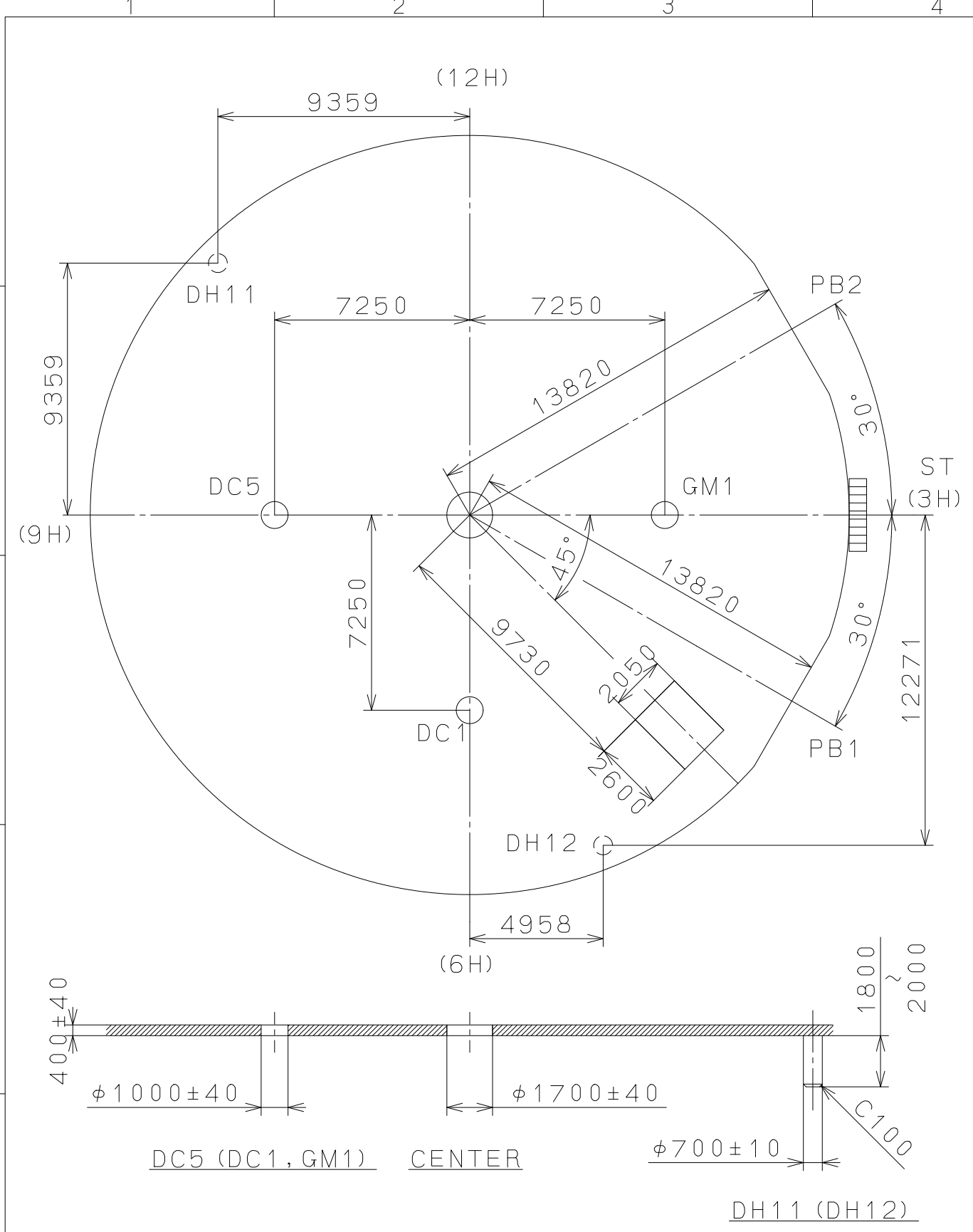
Frame for Case
Drawing No.: JS25C002

MIYOTA

CITIZEN WATCH CO., LTD. TOKYO, JAPAN

2009/01/26 (10:02:32)

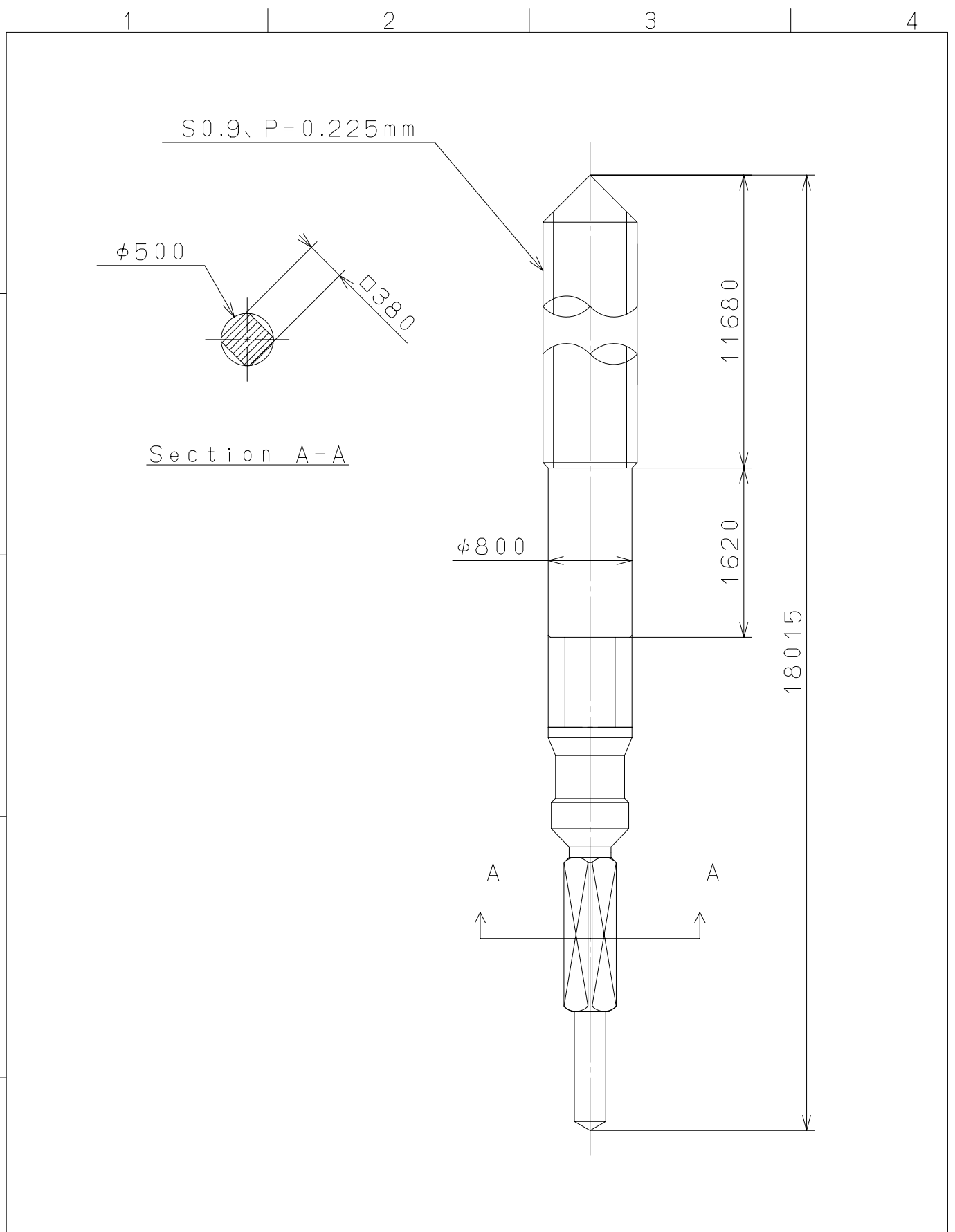
This drawing is provisional and subject to our reconfirmation and/or revision without notice.



△			Quantity		Cal.NO.:
△			Unit	1/1000 _{mm}	JS25-00C
△			Scale	5:1	Parts No.:
△			Date		
△			Drawn		
Mark	Date	Description	Appr.	Checked	Name:
		Alterations	Approved	N. Suzuki	Indications for Dial
Material					Drawing No.: JS25D000
Heat Treatment			General Tolerances		MIYOTA
Hardness			Dimensions		
Plating			Angles		
					CITIZEN WATCH CO., LTD. TOKYO, JAPAN

2006/12/25 (07:50:10)

This drawing is provisional and subject to our reconfirmation and/or revision without notice.



⑤			Quantity		Cal.NO.:
④			Unit	1 / 1000 mm	
③			Scale	20 / 1	Parts No.:
②			Date		065-505
①			Drawn		
Mark	Date	Description	Appr.	Checked	Name:
		Alterations		Approved	T.Hiruta
Material					SETTING STEM
Heat Treatment					Drawing No.: 5050S000
Hardness				General Tolerances	MIYOTA
Plating				Dimensions	
				Angles	CITIZEN WATCH CO., LTD. TOKYO, JAPAN