

INSTRUCTION MANUAL FOR MIYOTA WATCH MOVEMENT

CALIBER NO. 6P22

BATTERY: SR621SW

FEATURES : ANALOG MULTI-FUNCTION QUARTZ WATCH WITH
DATE AND 24HOUR

INSTRUCTION MANUAL

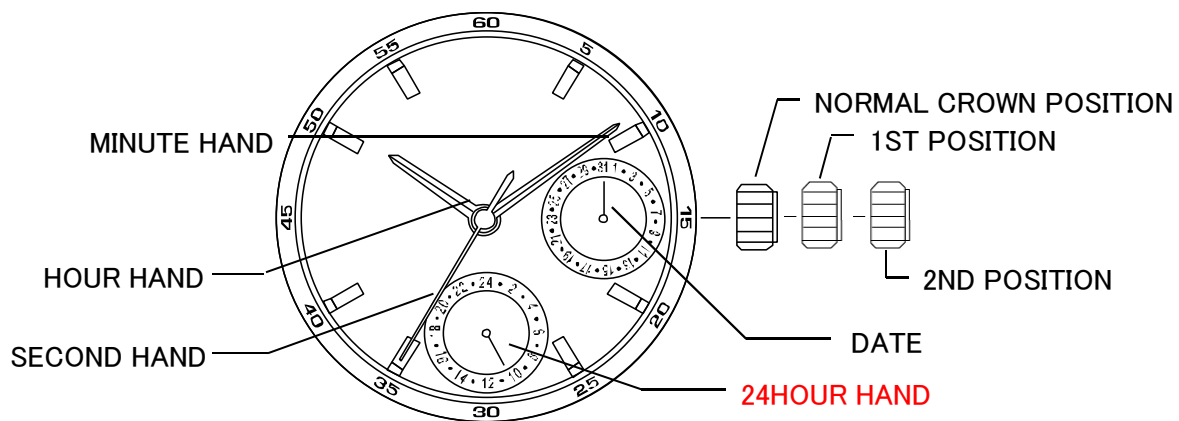
A) DISPLAY

B) OPERATION PROCEDURE

C) SETTING THE TIME (HOUR, 24 HOUR, MINUTE AND SECOND)

D) SETTING THE DATE (BY QUICK OPERATION)

A) DISPLAY



NORMAL CROWN POSITION

1ST POSITION

2ND POSITION

**QUICK OPERATION - DATE (COUNTERCLOCKWISE)
TIME SETTING (CLOCKWISE)**

B) OPERATION PROCEDURE

1 SETTING THE TIME (HOUR, 24HOUR, MINUTE and SECOND)

2 SETTING THE DATE

C) SETTING THE TIME (HOUR, 24 HOUR, MINUTE AND SECOND)

The hour, 24 hour, minute and second are set by the same operation.

SETTING PROCEDURE

HOUR&24HOUR → MINUTE → SECOND

Pull the crown out to the 2nd position to stop the second hand at 0 (12 o'clock).

Turn the hour/minute hands in a **clockwise** direction to set the time.

To ensure time is set accurately, first turn the minute hand 5 minutes ahead of desired time and then turn back (in a counterclockwise) to the desired time.

After setting the time, use a time signal to synchronize the watch by pushing crown to the normal position to start the second hand going.

NOTE:

Make sure you have correctly set AM/PM before setting the time.

D) SETTING THE DATE (BY QUICK OPERATION)

Pull the crown out to the 1st position. Turn the crown **counterclockwise** to set the date quickly.

NOTE:

* Do not set the date between the hours 9:00p.m. and 0:30a.m..The date may not change correctly the next day.