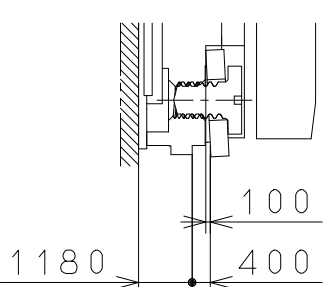
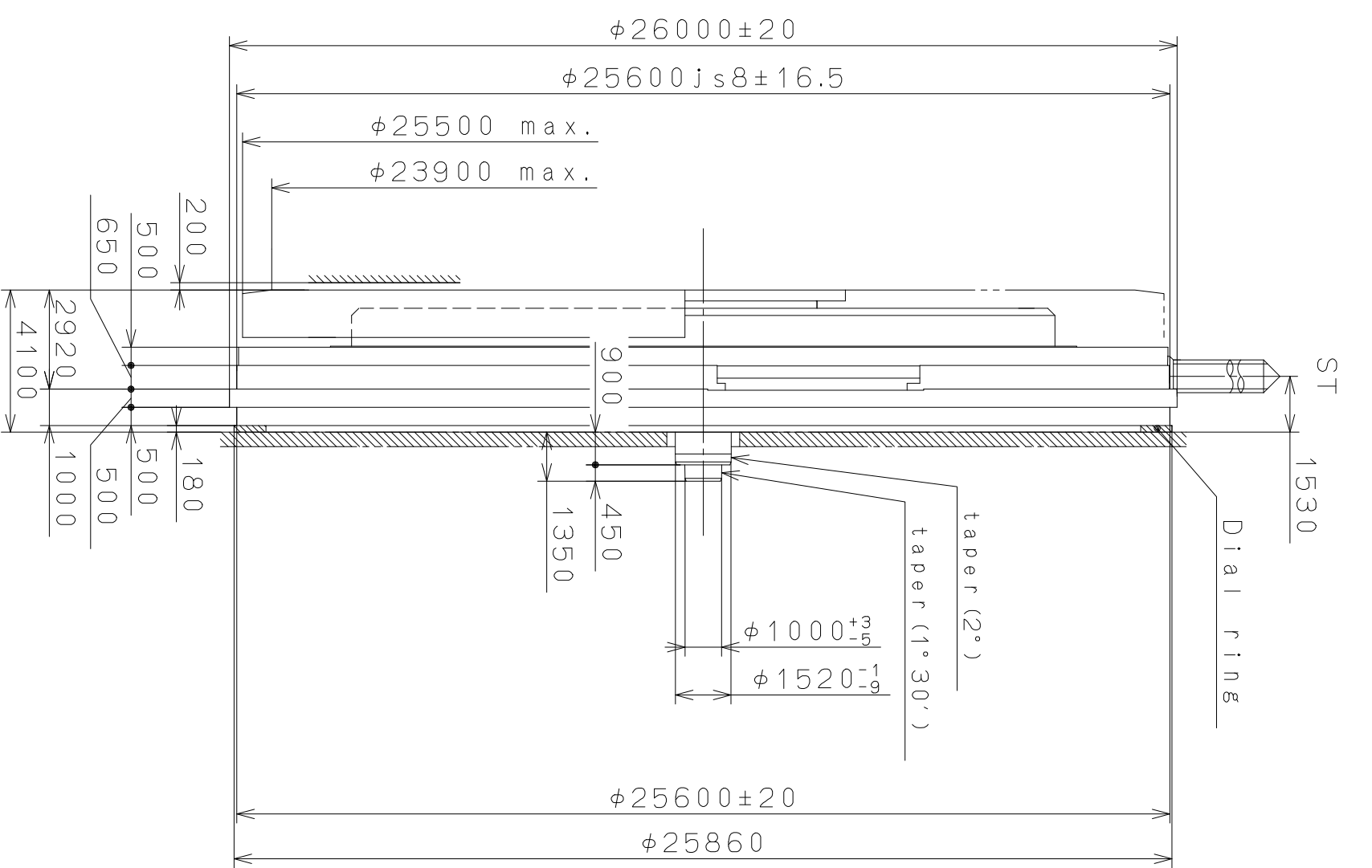
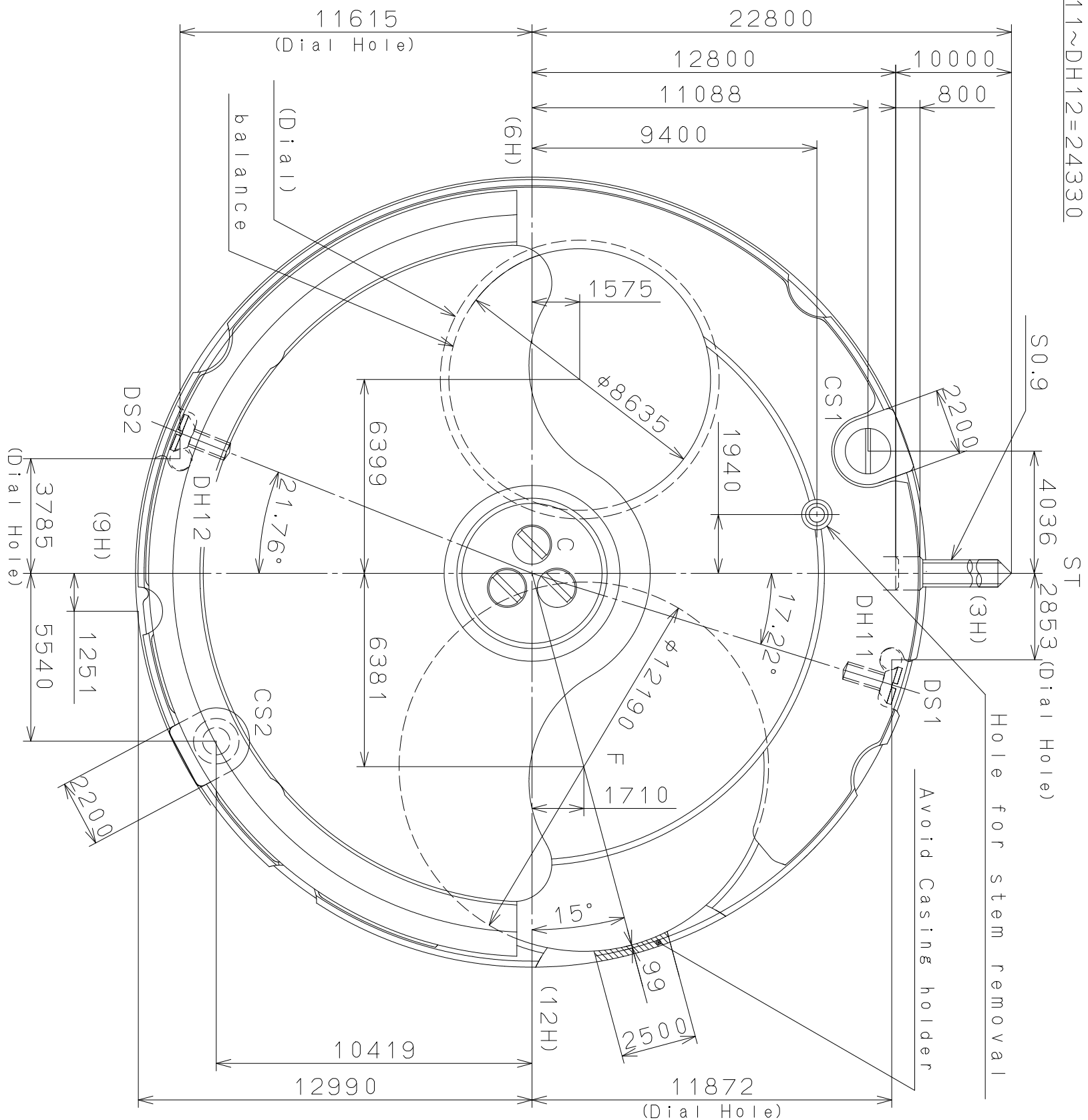
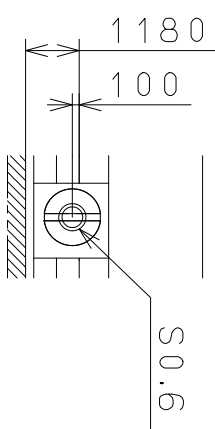


This drawing is provisional and subject to our reconfirmation and/or revision without notice.



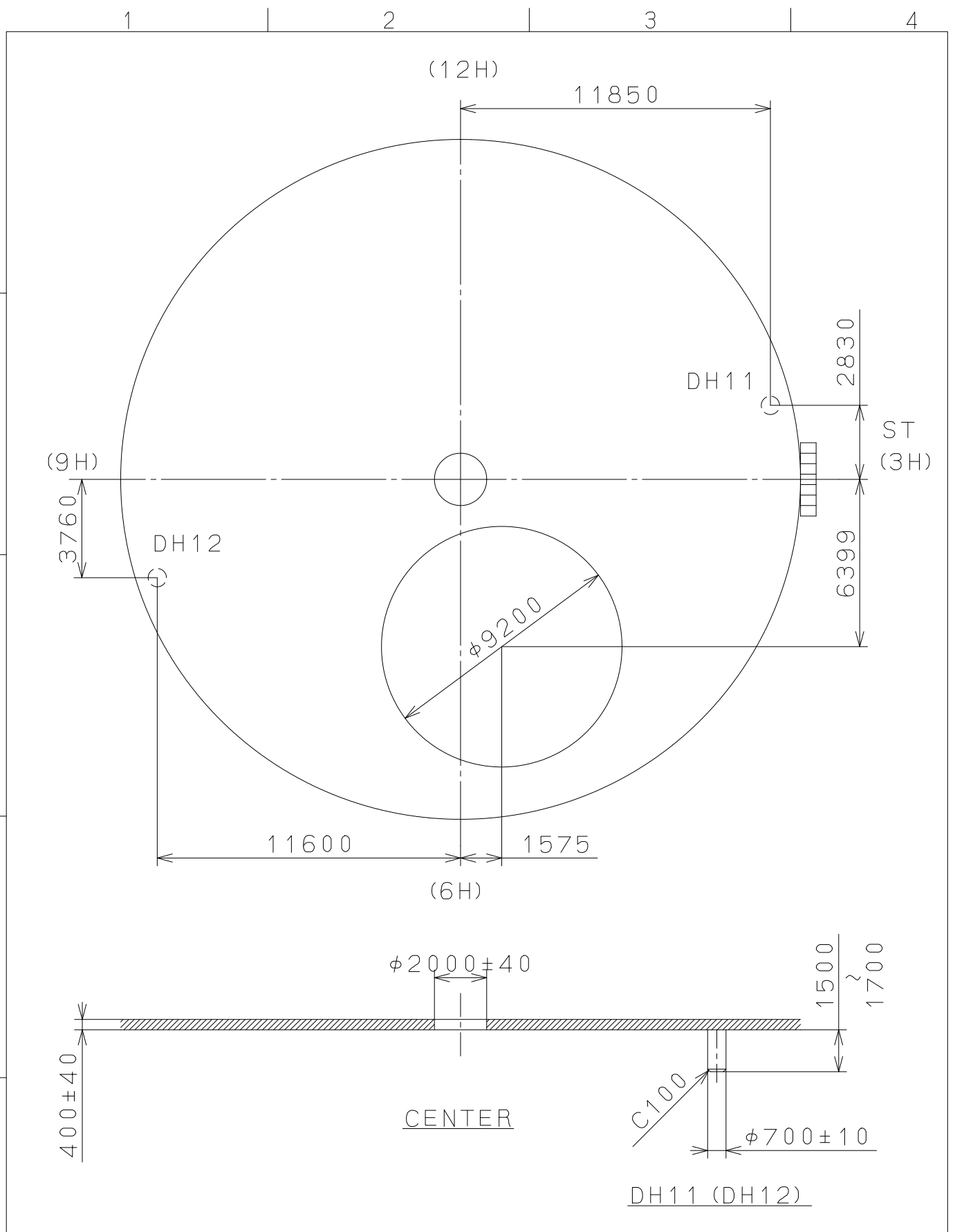
Section CS1, CS2



Section DS1, DS2

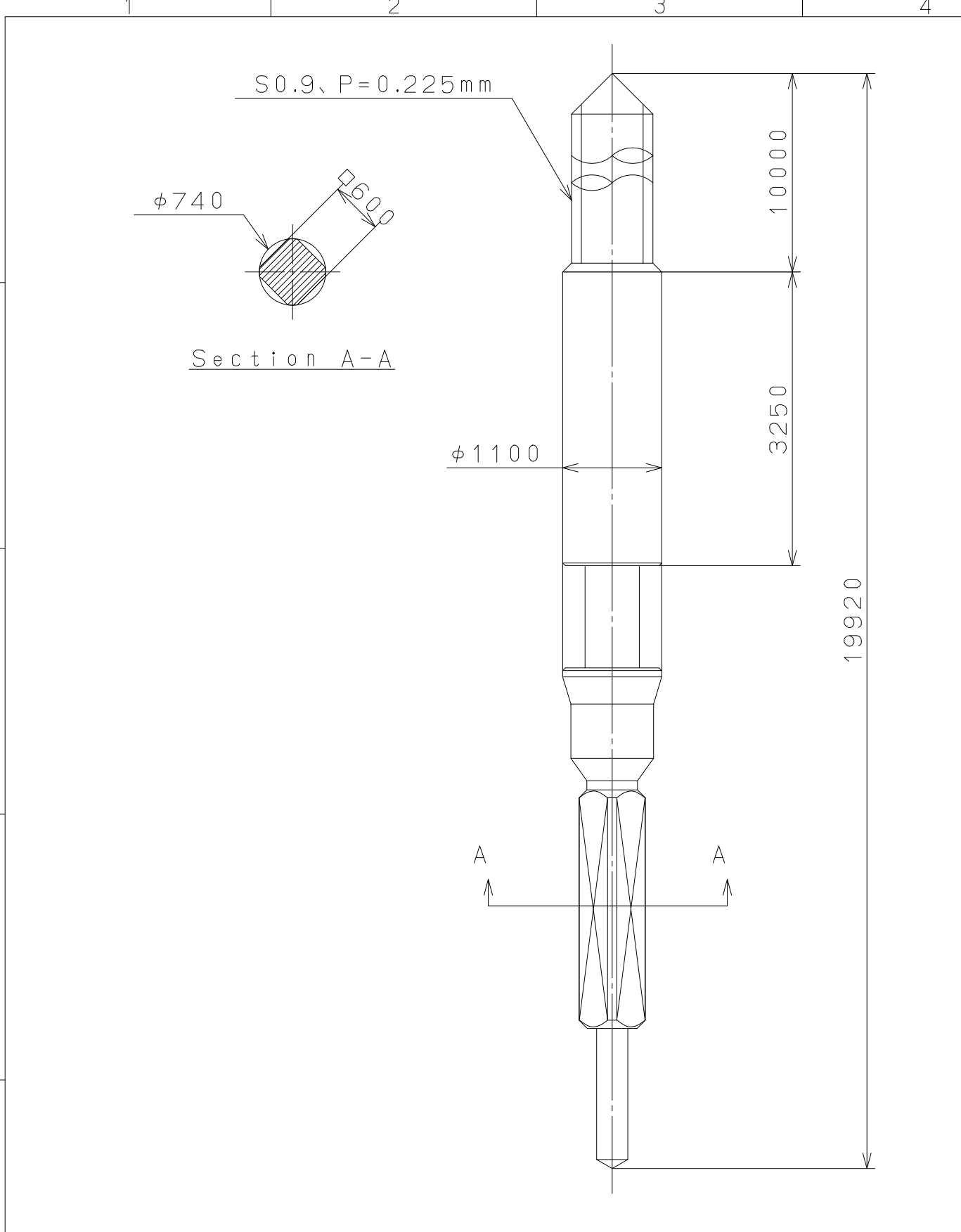
△	Quantity		Cal. NO.:	9029
△	Unit	1/1000 mm	Parts No.:	
△	Scale	6 : 1	Name: Frame for Case	
△	Date		Drawing No.: 902900C0	
△	Drawn		Name: D. Yamada	
△	Checked		Approved	
△	Description		Alterations	
△	Date		Material	
△	Heat Treatment		Heat Treatment	
△	Hardness		Hardness	
△	Plating		Plating	
	General Tolerances		MIYOTA CITIZEN WATCH CO., LTD. TOKYO, JAPAN	
	Dimensions			
	Angles			

This drawing is provisional and subject to our reconfirmation and/or revision without notice.



△			Quantity		Cal.NO.:
△			Unit	1 / 1000 mm	9029-20A
△			Scale	5 : 1	Parts No.:
△			Date		
△			Drawn		
Mark	Date	Description	Appr.	Checked	Name:
		Alterations	Approved	D. Yamada	
Material					Indications for Dial
Heat Treatment					Drawing No.: 902900D0
Hardness					MIYOTA
Plating					

This drawing is provisional and subject to our reconfirmation and/or revision without notice.



△			Quantity		Cal.NO.:
△			Unit	1 / 1000 mm	
△			Scale	17 : 1	Parts No.:
△			Date		065-A05
△			Drawn		
Mark	Date	Description	Appr.	Checked	Name:
		Alterations		Approved	SETTING STEM
Material					Drawing No.: A05000S0
Heat Treatment				General Tolerances	MIYOTA
Hardness				Dimensions	
Plating				Angles	
					CITIZEN WATCH CO., LTD. TOKYO, JAPAN