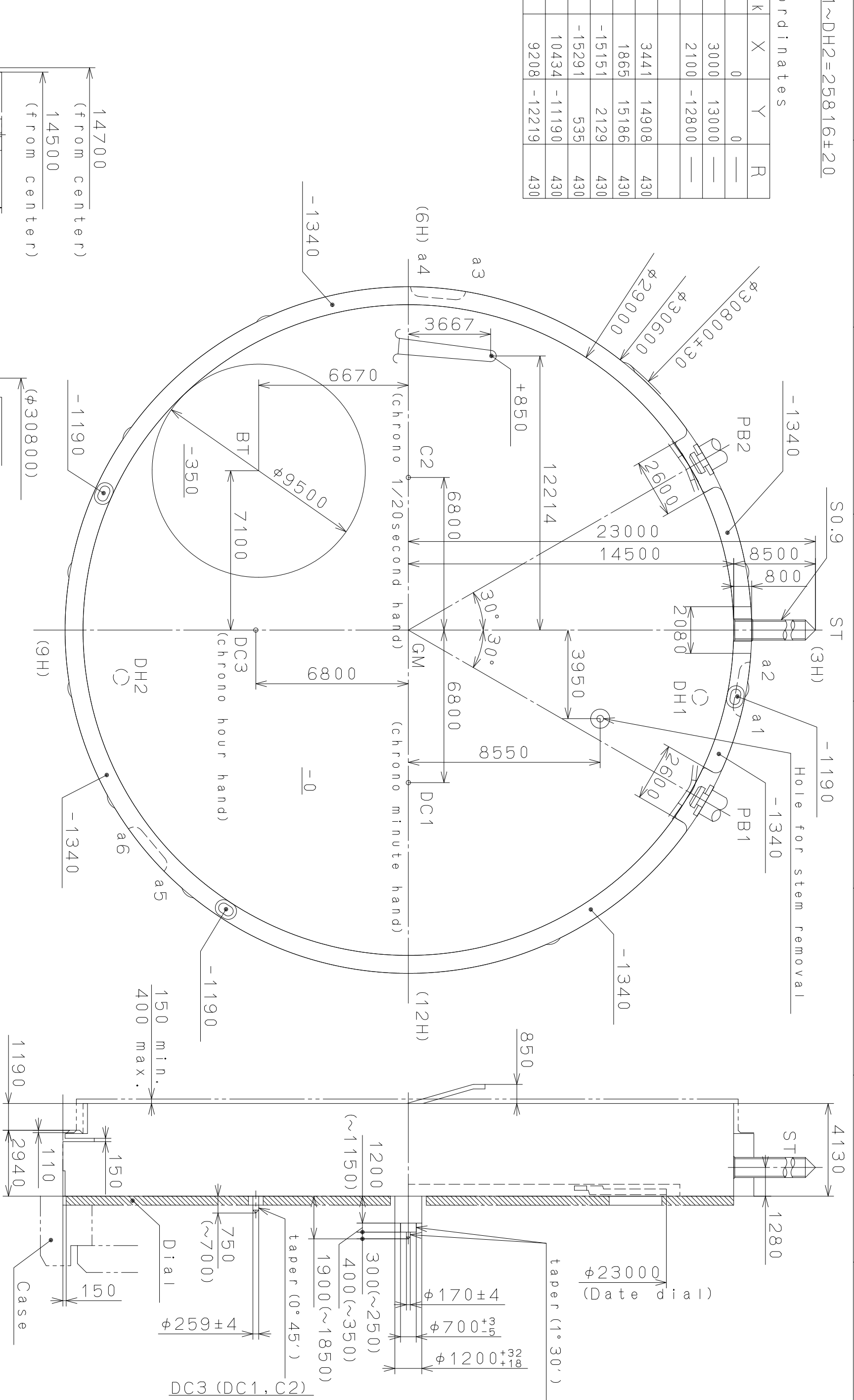


This drawing is provisional and subject to our reconfirmation and/or revision without notice.

DH1~DH2=25816±20

Coordinates

Mark	X	Y	R
GM	0	0	—
DH1	3000	13000	—
DH2	2100	-12800	—
a1	3441	14908	430
a2	1865	15186	430
a3	-15151	2129	430
a4	-15291	535	430
a5	10434	-11190	430
a6	9208	-12219	430



Section PB1,2

Section a1~a6

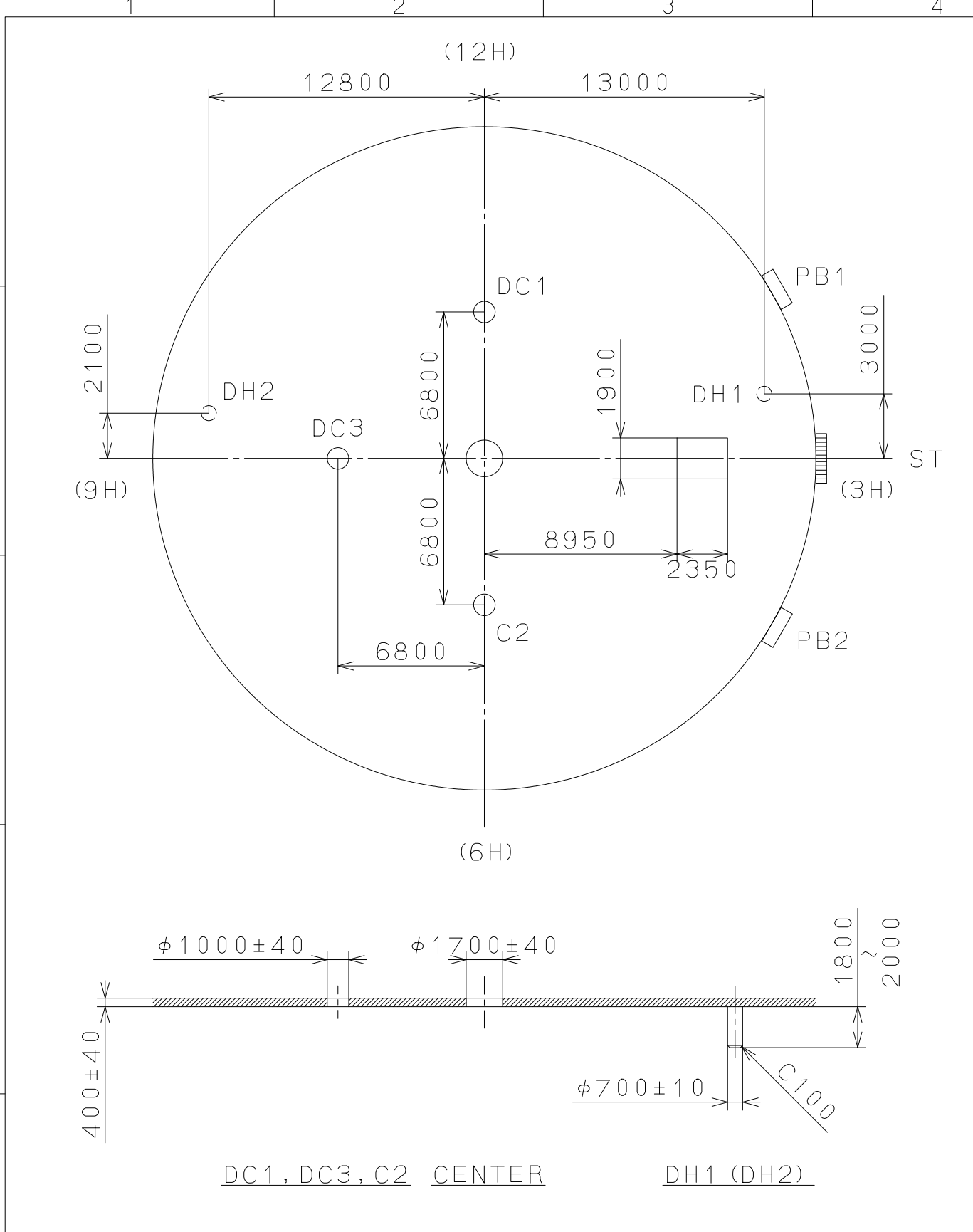
△	Quantity	
△	Unit	1/1000 mm
△	Scale	6 : 1
△	Date	
△	Drawn	
△	Date	
△	Description	
△	Checked	
△	Approved	D. Yamada
△	Alterations	
△	Material	
△	Heat Treatment	
△	Hardness	
△	Plating	

Cal. NO.:	OS60
Parts No.:	
Name:	Frame for Case
Drawing No.:	OS6000C0

**Miyota**  
CITIZEN WATCH CO., LTD. TOKYO, JAPAN

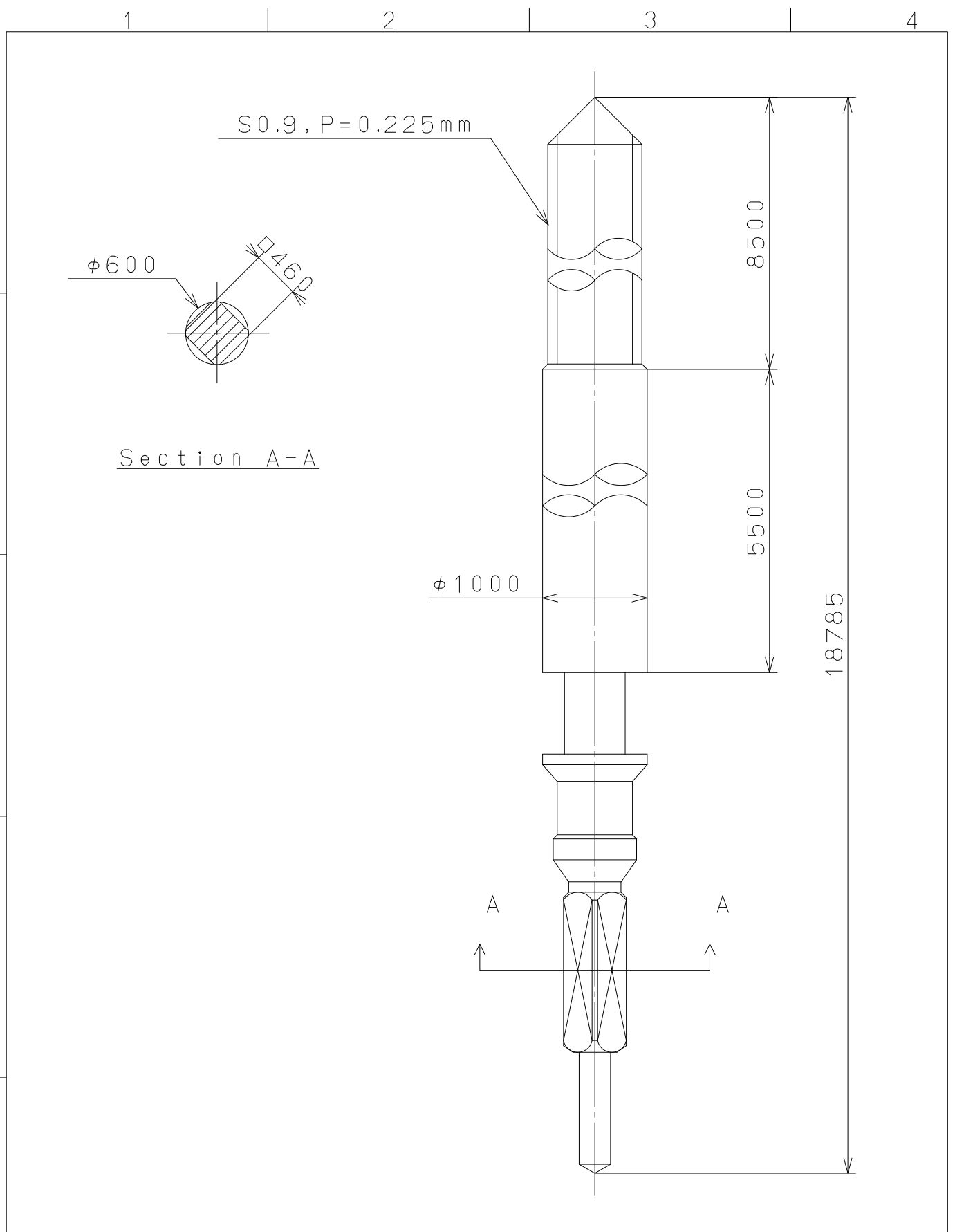
This drawing is provisional and subject to our reconfirmation and/or revision without notice.



DC1, DC3, C2 CENTER      DH1 (DH2)

△			Quantity		Cal.NO.:
△			Unit	1 / 1000 mm	OS60-10A
△			Scale	4 : 1	Parts No.:
△			Date		
△			Drawn		
Mark	Date	Description	Appro.	Checked	Name:
		Alterations	Approved	D. Yamada	Indications for Dial
Material					Drawing No.: OS6000D0
Heat Treatment			General Tolerances	<div style="text-align: center; font-weight: bold; font-size: 2em;">MIYOTA</div> CITIZEN WATCH CO., LTD. TOKYO, JAPAN	
Hardness			Dimensions		
Plating			Angles		

This drawing is provisional and subject to our reconfirmation and/or revision without notice.



⑤			Quantity		Cal.NO.:
④			Unit	1 / 1000 mm	
③			Scale	20 : 1	Parts No.:
②			Date		065-453
①			Drawn		
Mark	Date	Description	Appro.	Checked	D. Yamada
Alterations			Approved	Name:	
			SETTING STEM		
Material					Drawing No.: 453000S0
Heat Treatment					<b>MIYOTA</b>
Hardness					
Plating					
			General Tolerances	CITIZEN WATCH CO., LTD. TOKYO, JAPAN	
			Dimensions		
			Angles		