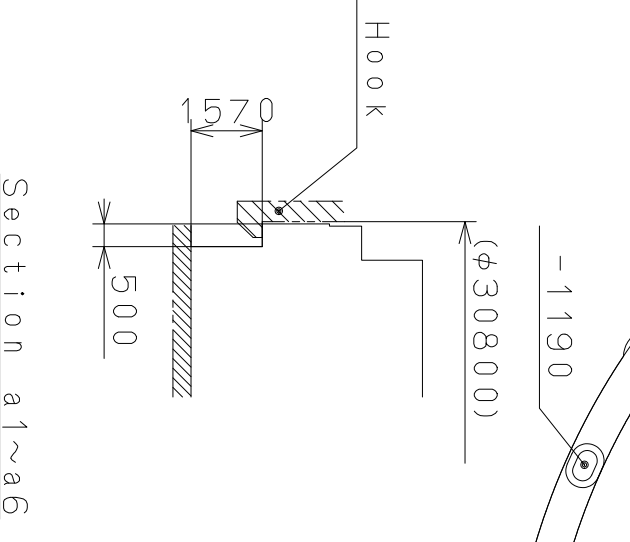
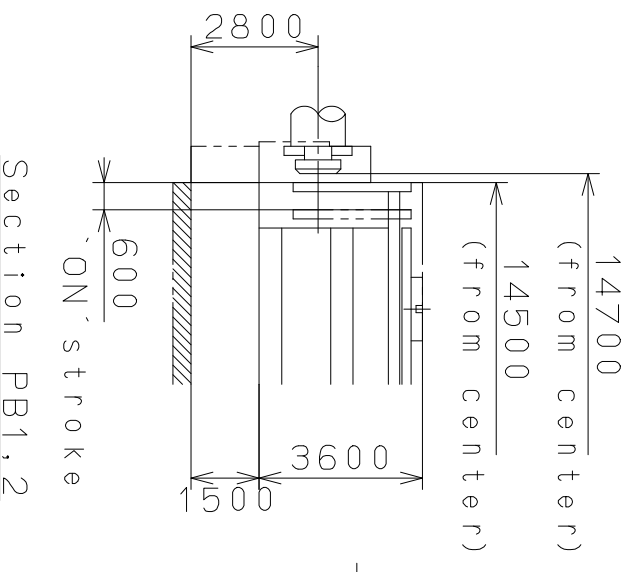
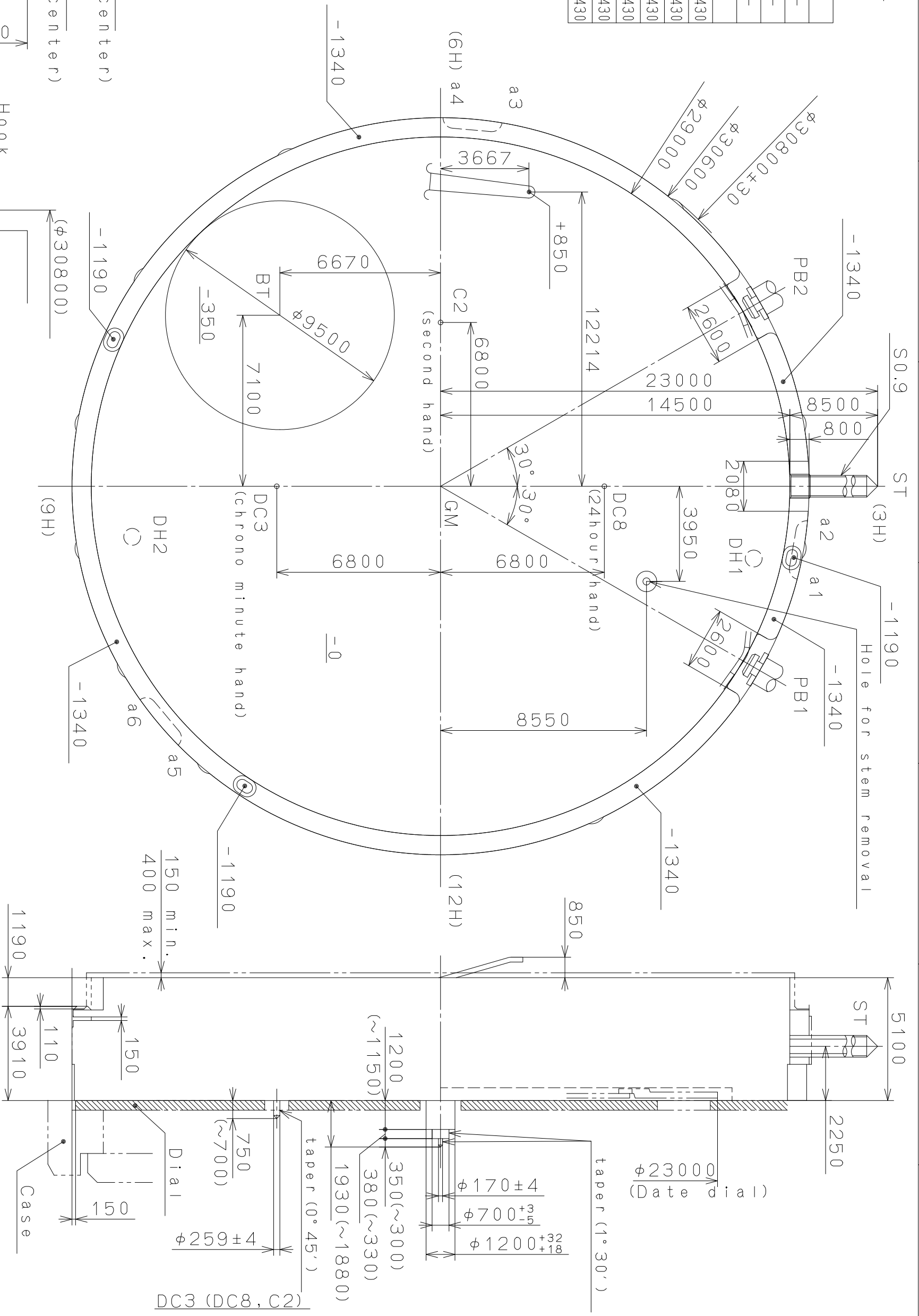


This drawing is provisional and subject to our reconfirmation and/or revision without notice.

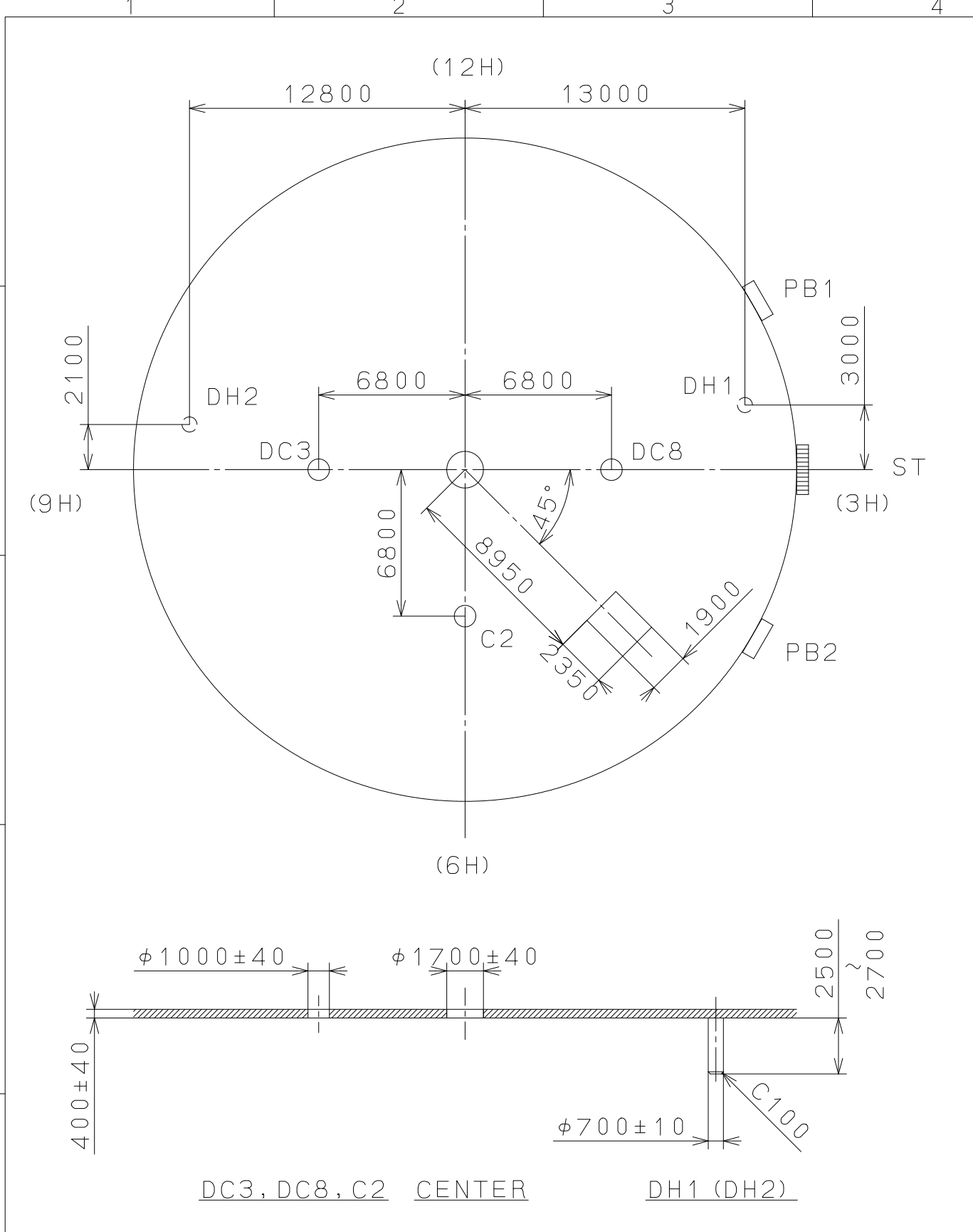
DH1~DH2=25816±20

Coordinates			
Mark	X	Y	R
GM	0	0	—
DH1	3000	13000	—
DH2	2100	-12800	—
a1	3441	14908	430
a2	1865	15186	430
a3	-15151	2129	430
a4	-15291	535	430
a5	10434	-11190	430
a6	9208	-12219	430



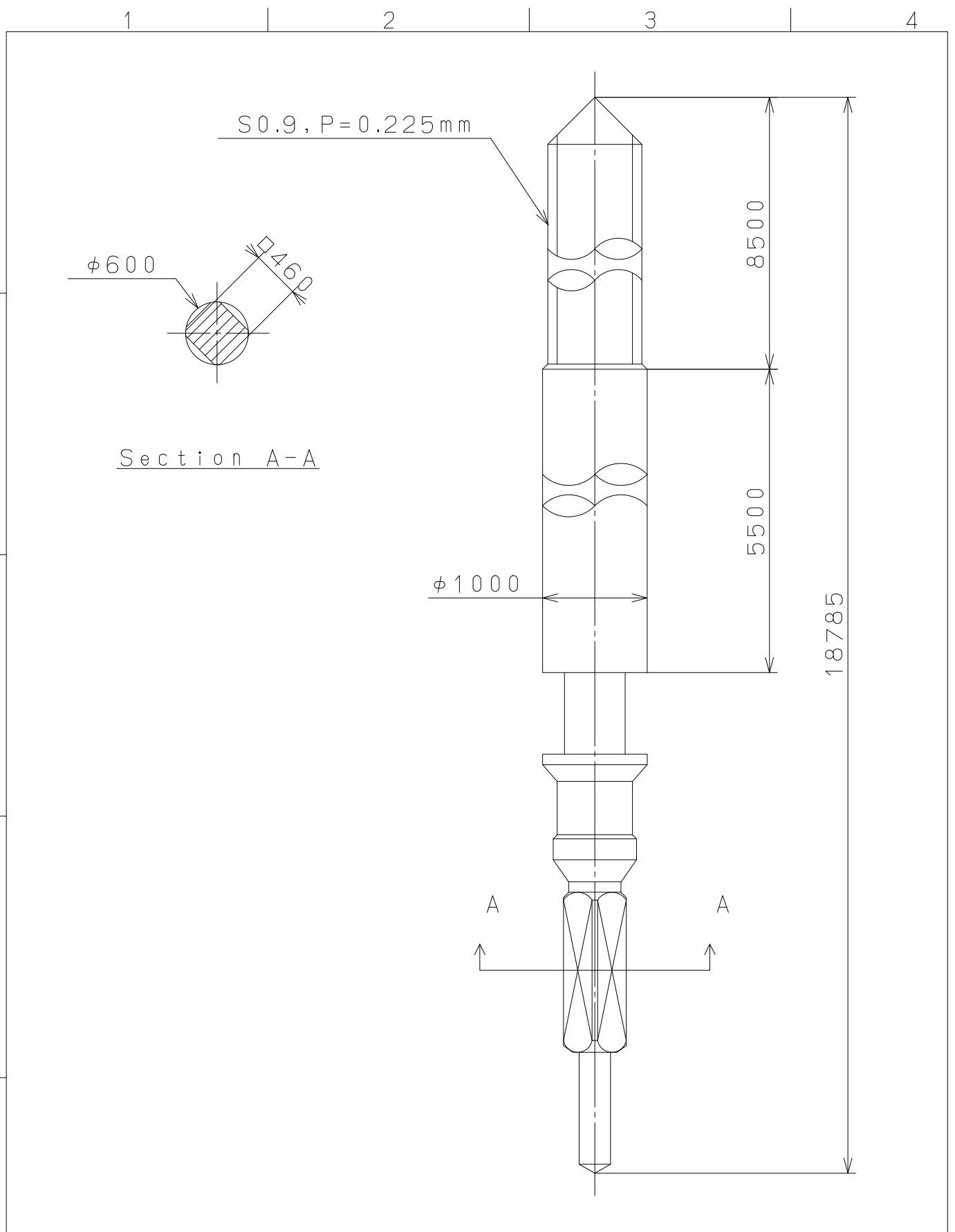
Material	Alterations	Mark	Date	Description	Appr.	Checked	Drawn	D. Yamada	Name:	Frame for Case
Heat Treatment										Drawing No.: 0S2000C0
Hardness										
Plating										
Quantity	Unit	Scale	Date	Drawn	Checked	Drawn	D. Yamada	Name:	Frame for Case	Drawing No.: 0S2000C0
1	1/1000 mm	6:1								
Cal. NO.:	OS20	Parts No.:								
General Tolerances	Dimensions	Angles								
MİYOTA										
CITIZEN WATCH CO., LTD. TOKYO, JAPAN										

This drawing is provisional and subject to our reconfirmation and/or revision without notice.



△			Quantity		Cal.NO.:
△			Unit	1 / 1000 mm	OS20-10A
△			Scale	4 : 1	Parts No.:
△			Date		
△			Drawn		
Mark	Date	Description	Appr.	Checked	Name:
		Alterations	Approved	D. Yamada	Indications for Dial
Material					Drawing No.: OS2000D0
Heat Treatment			General Tolerances		MIYOTA
Hardness			Dimensions		
Plating			Angles		
					CITIZEN WATCH CO., LTD. TOKYO, JAPAN

This drawing is provisional and subject to our reconfirmation and/or revision without notice.



⑤			Quantity		Cal.NO.:
④			Unit	1 / 1000 mm	
③			Scale	20 : 1	Parts No.:
②			Date		065-453
①			Drawn		
Mark	Date	Description	Appro.	Checked	Name:
		Alterations	Approved	D. Yamada	SETTING STEM
Material					Drawing No.: 453000S0
Heat Treatment			General	Tolerances	MIYOTA
Hardness			Dimensions		
Plating			Angles		
					CITIZEN WATCH CO., LTD. TOKYO, JAPAN