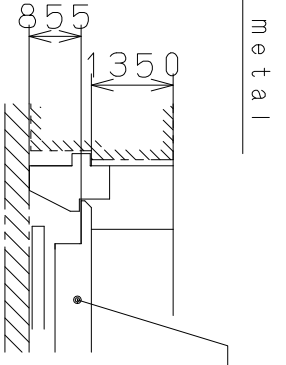
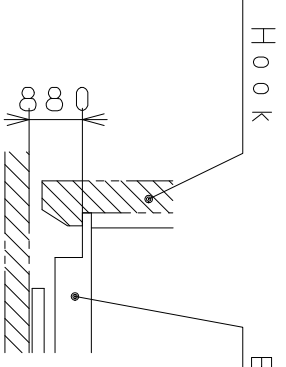
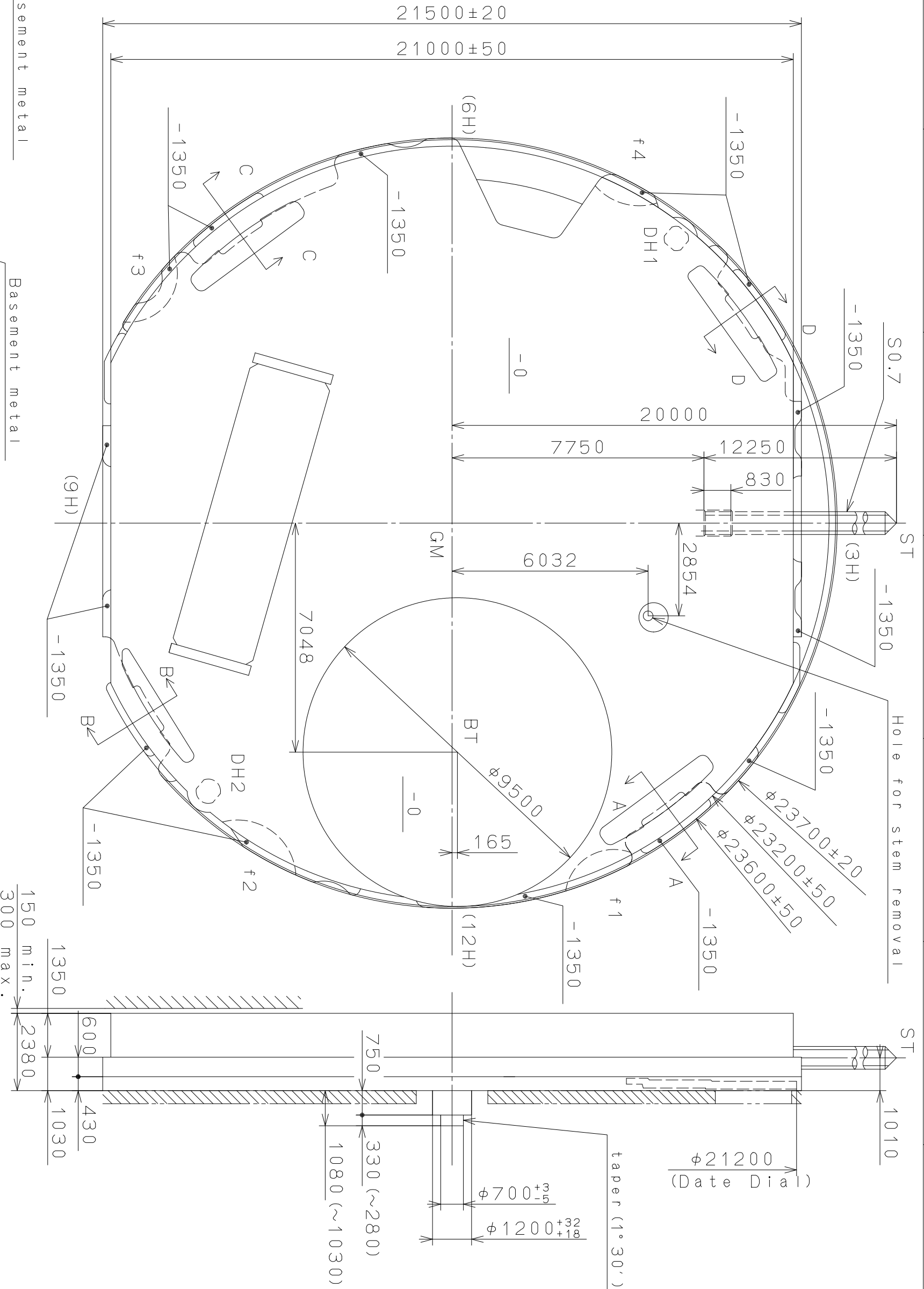


This drawing is provisional and subject to our reconfirmation and/or revision without notice.

DH1~DH2=222287±30

Coordinates			
Mark	X	Y	R
GM	0	0	—
DH1	-8759	6900	—
DH2	8251	-7500	—
f1	11544	4979	1500
f2	10937	-6601	1800
f3	-7683	-9951	1500
f4	-11566	5760	1800

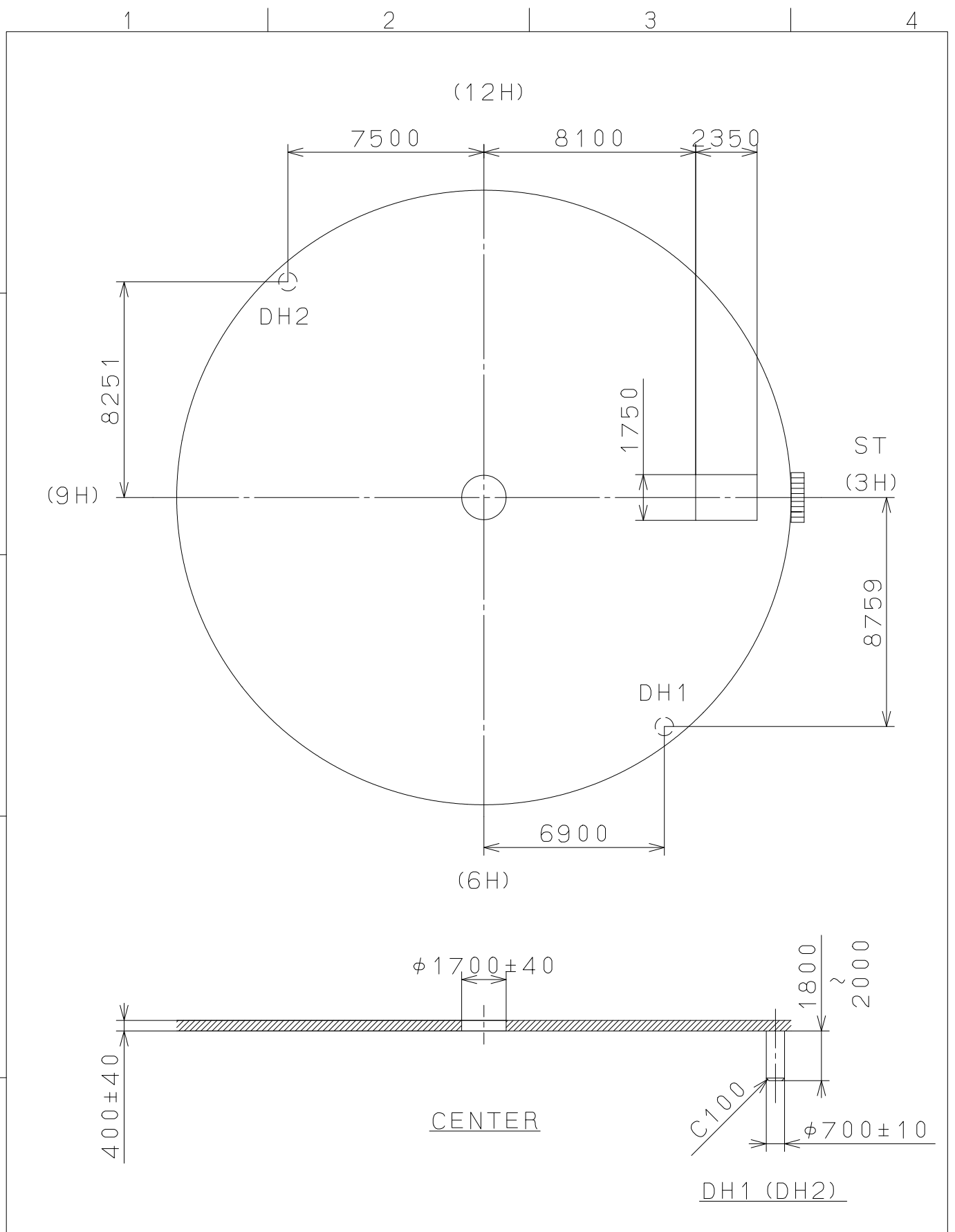


Section f1~f4

Section A-A, B-B, C-C, D-D

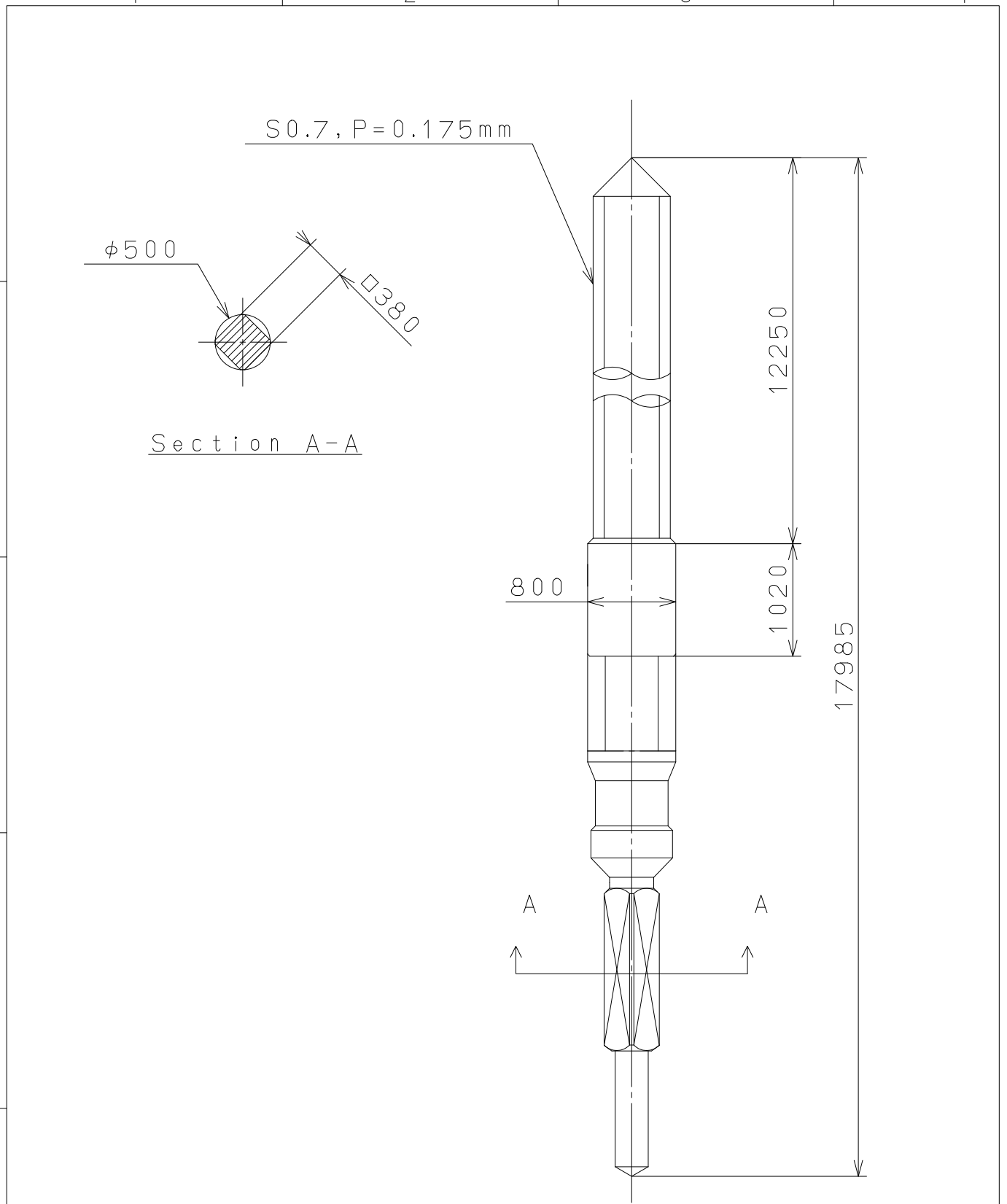
Material	Alterations	Mark	Date	Description	Appr.	Checked	Drawn	Name:
Heat Treatment								D. Yamada
Hardness								
Plating								
Quantity	Unit	Scale	Date	Drawn	Checked	Drawn	Drawn	Name:
1	1/1000 mm	8:1						D. Yamada
Cal. No.:	Unit	Scale	Date	Drawn	Checked	Drawn	Drawn	Name:
9U15	1/1000 mm	8:1						D. Yamada
Parts No.:	Unit	Scale	Date	Drawn	Checked	Drawn	Drawn	Name:
	1/1000 mm	8:1						D. Yamada
Frame for Case								
Drawing No.: 9U1500C0								
Miyota								
CITIZEN WATCH CO., LTD. TOKYO, JAPAN								

This drawing is provisional and subject to our reconfirmation and/or revision without notice.



△			Quantity		Cal.NO.:
△			Unit	1 / 1000 mm	9U15-00A
△			Scale	5 : 1	Parts No.:
△			Date		
△			Drawn		
Mark	Date	Description	Appro.	Checked	Name:
		Alterations	Approved	D. Yamada	Indications for Dial
Material					Drawing No.: 9U1500D0
Heat Treatment			General Tolerances	<h1>MIYOTA</h1>	
Hardness			Dimensions		
Plating			Angles		
				CITIZEN WATCH CO., LTD. TOKYO, JAPAN	

This drawing is provisional and subject to our reconfirmation and/or revision without notice.



△			Quantity		Cal.NO.:
△			Unit	1/1000mm	
△			Scale	20:1	Parts No.:
△			Date		065-495
△			Drawn		
Mark	Date	Description	Appr.	Checked	D.Yamada
Alterations			Approved	Name: SETTING STEM	
Material					Drawing No.: 495000S0
Heat Treatment	General Tolerances				MIYOTA
Hardness	Dimensions				
Plating	Angles				
					CITIZEN WATCH CO.,LTD. TOKYO,JAPAN