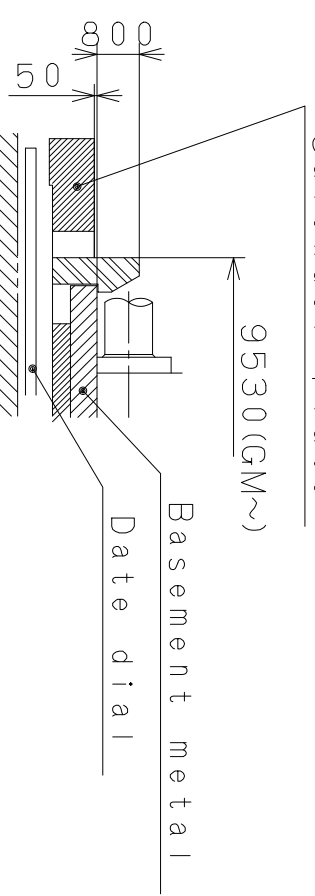
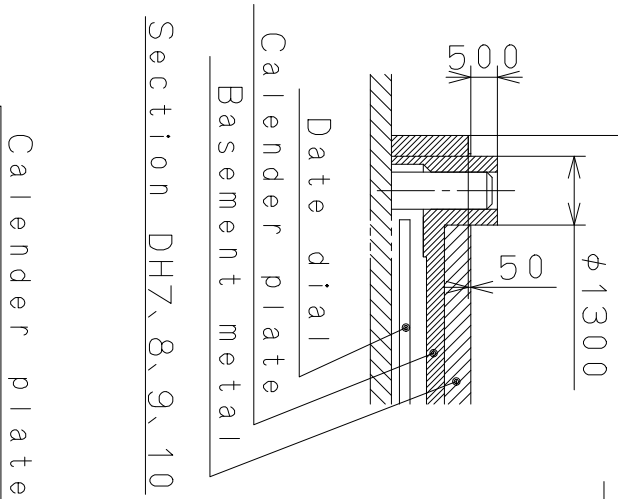
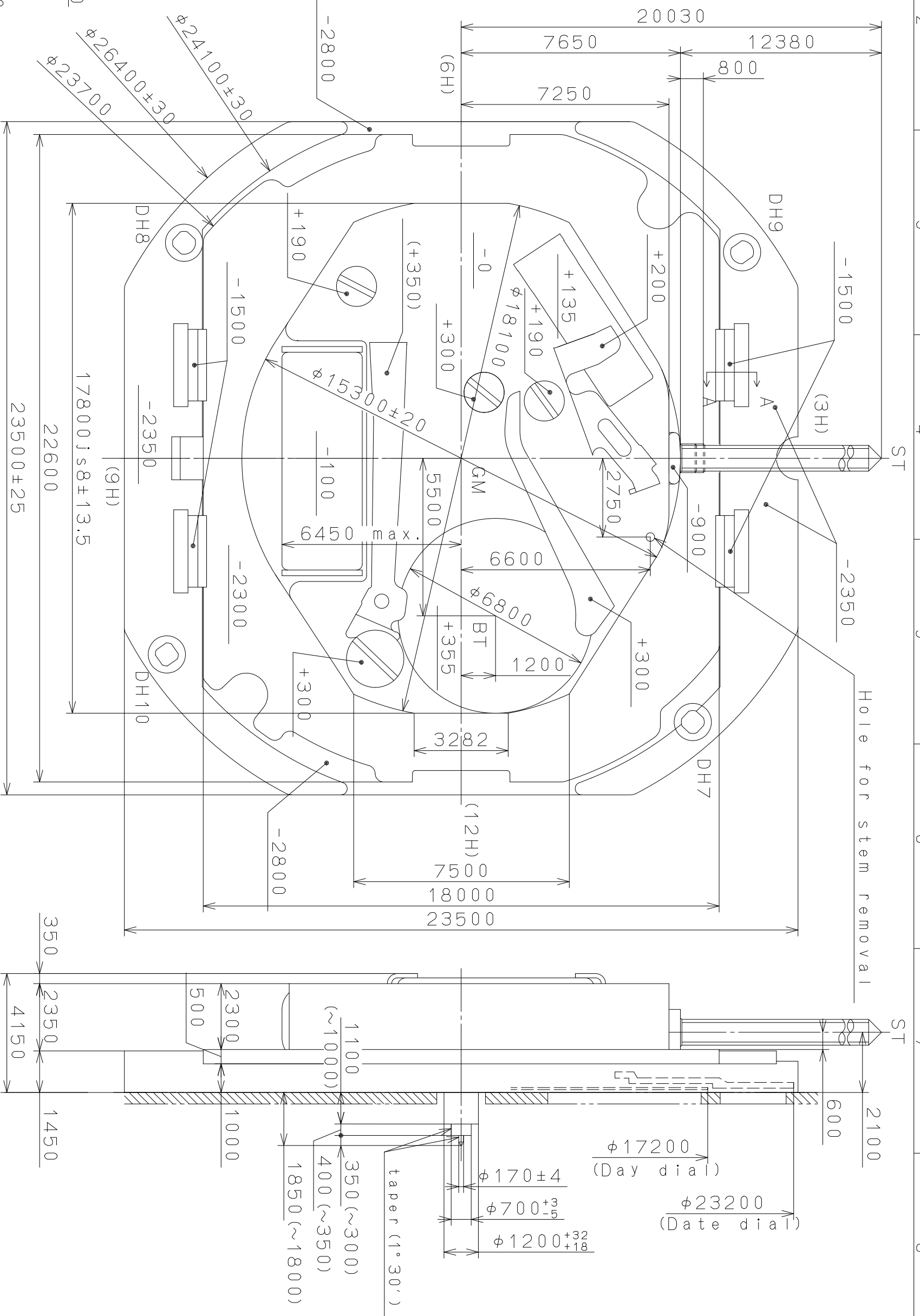


This drawing is provisional and subject to our reconfirmation and/or revision without notice.

DH7~DH8=24390±20
DH9~DH10=24493±20

Coordinates		
Mark	X	Y
GM	0	0
DH7	9207	8080
DH8	-7522	-9668
DH9	-7193	9800
DH10	6848	-10269

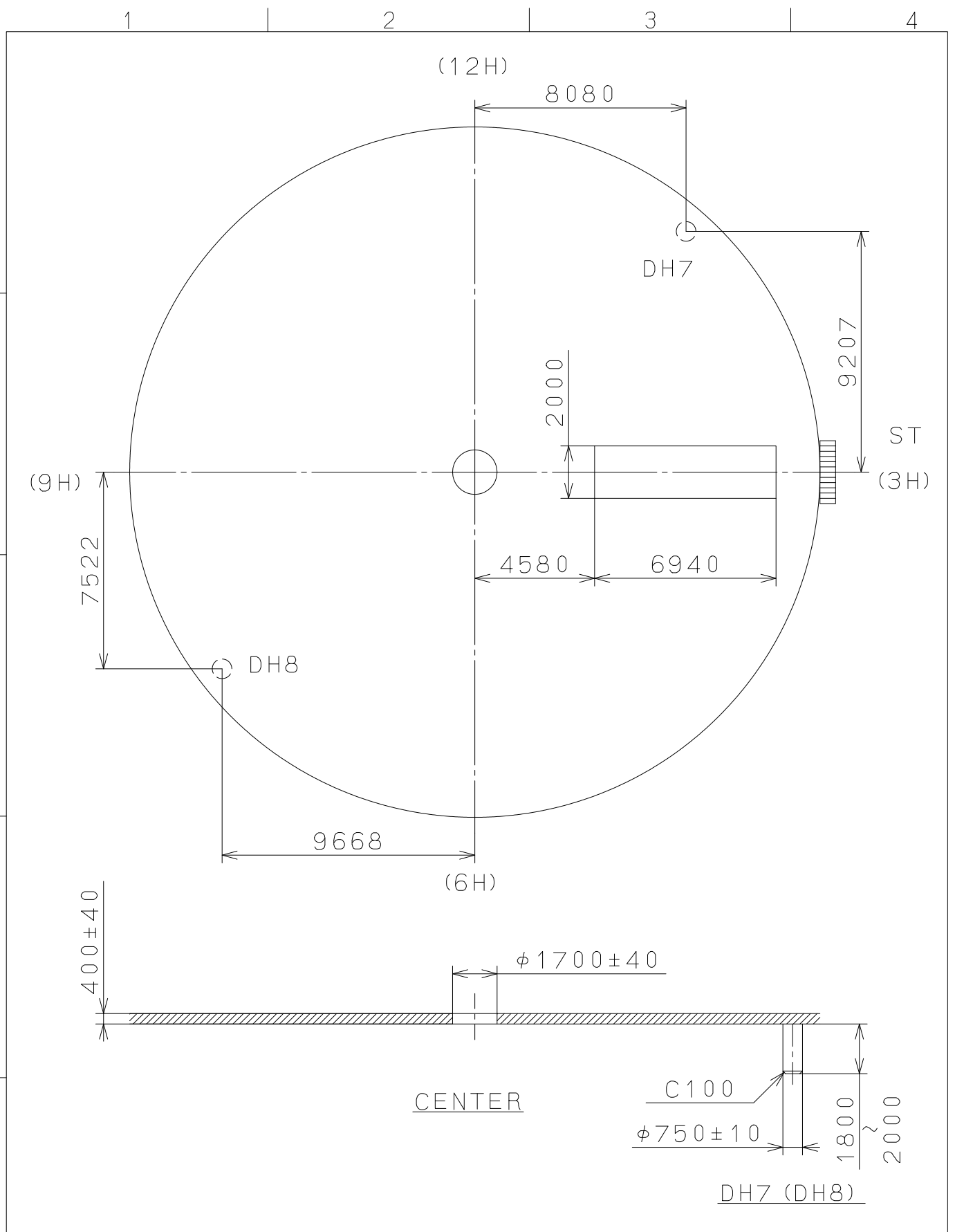


Mark	Date	Description	Appro.	Checked	Drawn	Name:
△		Alterations	Approved			D. Yamada
△		Material				Frame for Case
△		Heat Treatment				Drawing No.: 230500C0
△		Hardness				
△		Plating				

Quantity	Unit	Cal. NO.:
1	1/1000 mm	2305
Scale	Date	Parts No.:
7 : 1		

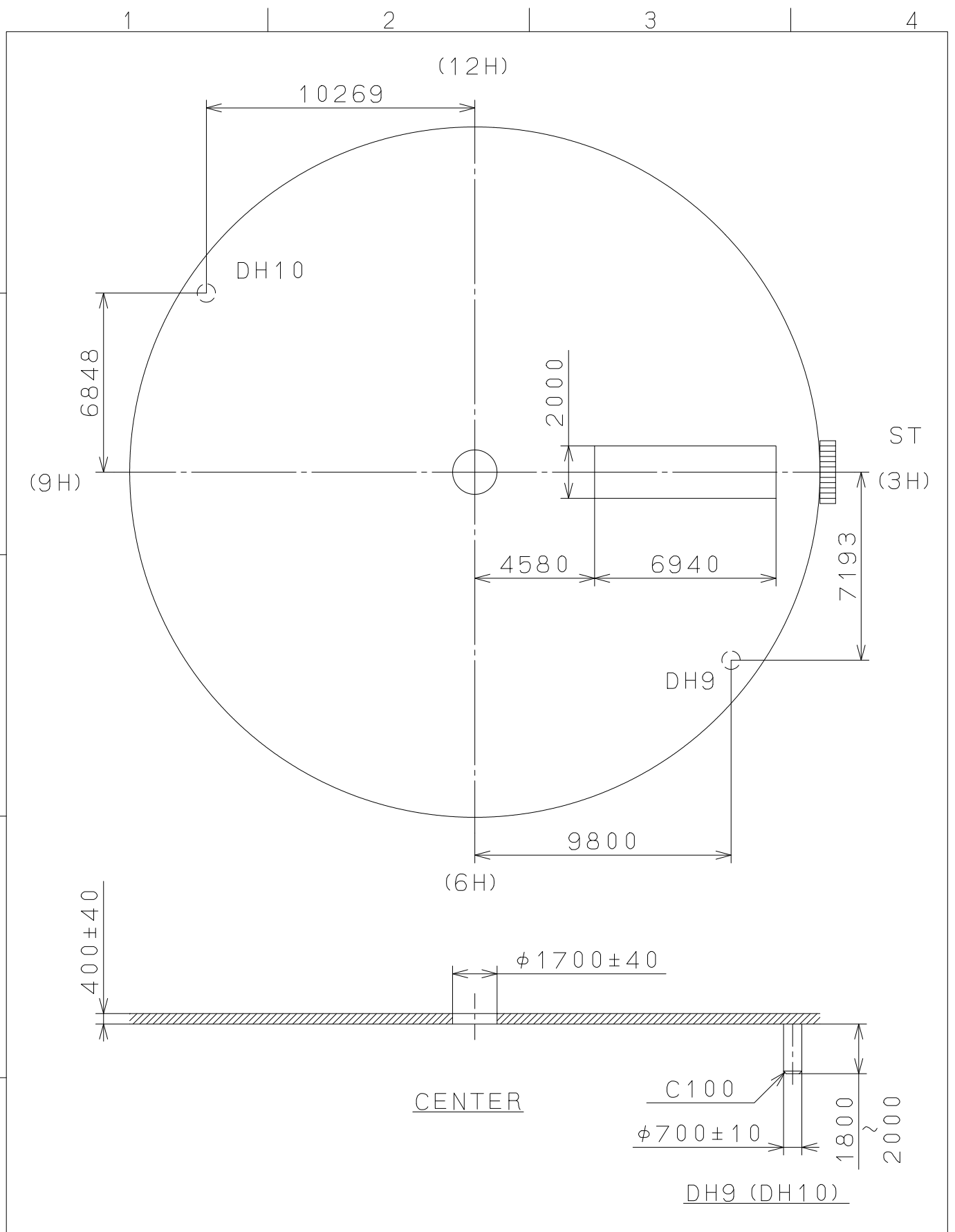
MIYOTA
CITIZEN WATCH CO., LTD. TOKYO, JAPAN

This drawing is provisional and subject to our reconfirmation and/or revision without notice.



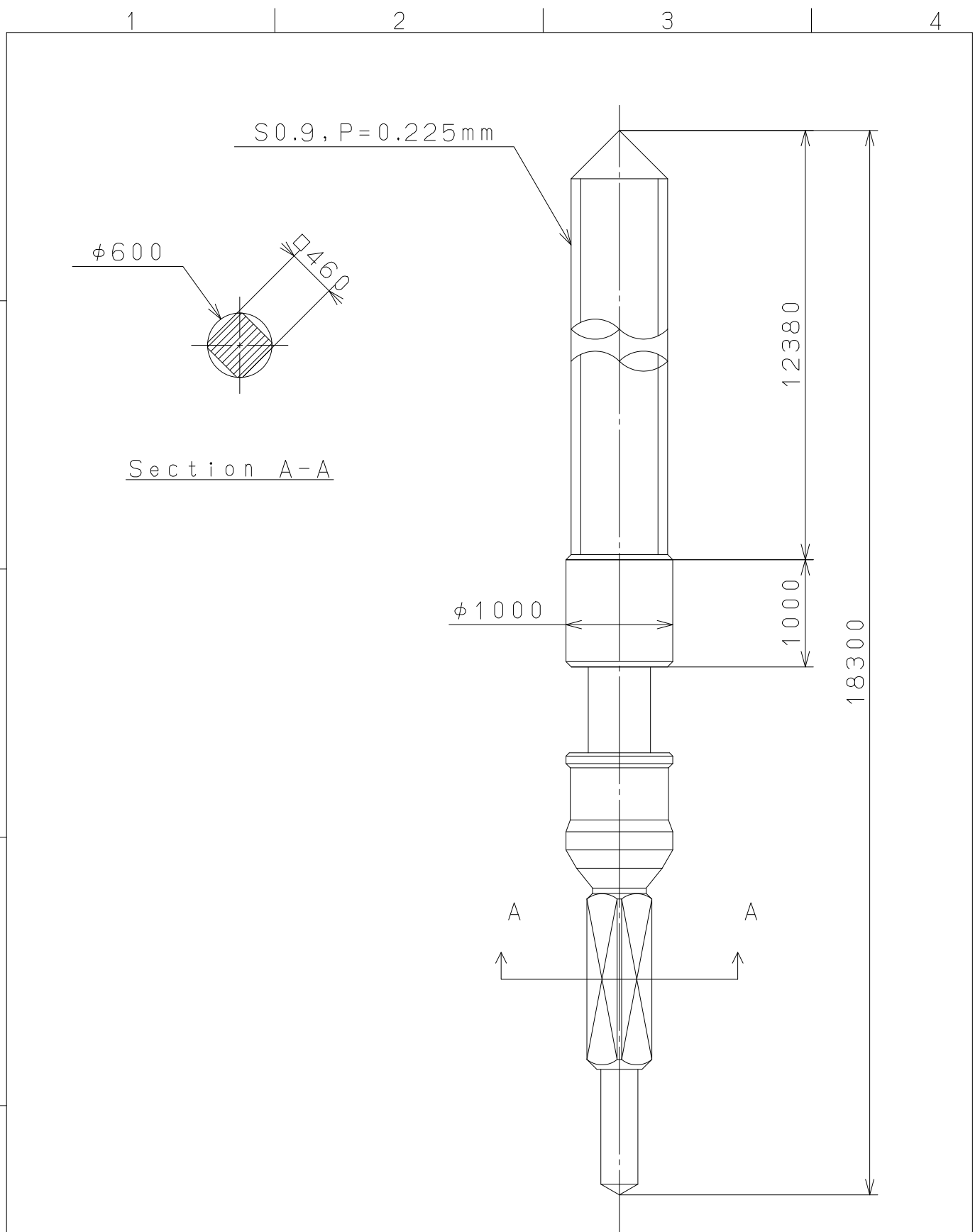
△			Quantity		Cal. NO.:
△			Unit	1 / 1000 mm	2305-20A
△			Scale	5 : 1	Parts No.:
△			Date		
△			Drawn		
Mark	Date	Description	Appr.	Checked	Name:
		Alterations	Approved	D. Yamada	Indications for Dial
Material					Drawing No.: 230500D0
Heat Treatment			General Tolerances		MIYOTA
Hardness			Dimensions		
Plating			Angles		
					CITIZEN WATCH CO., LTD. TOKYO, JAPAN

This drawing is provisional and subject to our reconfirmation and/or revision without notice.



△			Quantity		Cal.NO.:
△			Unit	1 / 1000 mm	2305-20A
△			Scale	5 : 1	Parts No.:
△			Date		
△			Drawn		
Mark	Date	Description	Appr.	Checked	Name:
		Alterations	Approved	D. Yamada	Indications for Dial
Material					Drawing No.: 230501D0
Heat Treatment			General Tolerances		MIYOTA
Hardness			Dimensions		
Plating			Angles		
					CITIZEN WATCH CO., LTD. TOKYO, JAPAN

This drawing is provisional and subject to our reconfirmation and/or revision without notice.



⑤			Quantity		Cal.NO.:
④			Unit	1 / 1000 mm	
③			Scale	20 : 1	Parts No.:
②			Date		065-299
①			Drawn		
Mark	Date	Description	Appro.	Checked	D. Yamada
Alterations			Approved	Name:	
			SETTING STEM		
Material					Drawing No.: 299000S0
Heat Treatment					MIYOTA CITIZEN WATCH CO., LTD. TOKYO, JAPAN
Hardness					
Plating					